

hatcocorp.com

Register Online!
(see page 2)

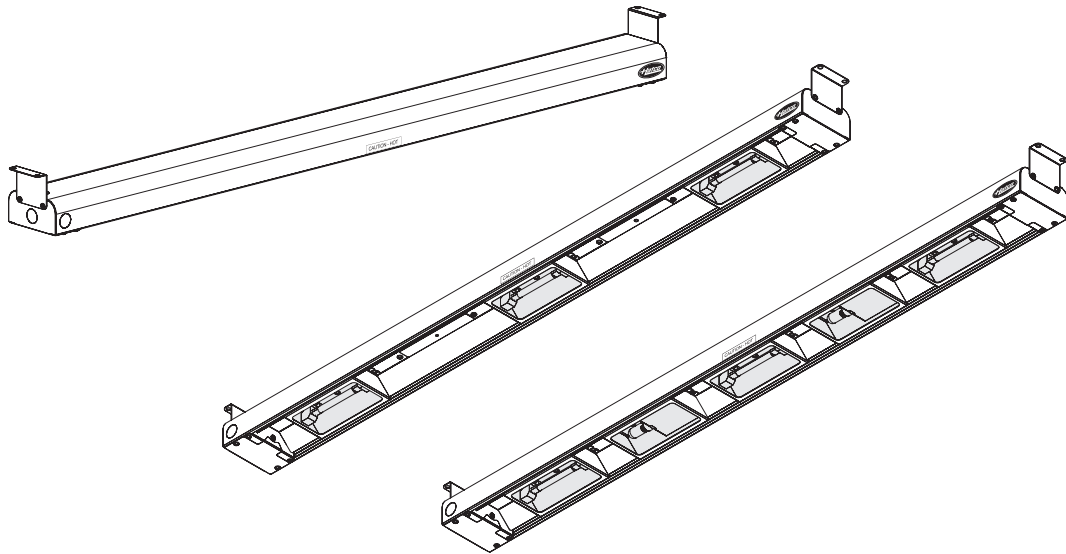
S'inscrire en ligne!
(voir page 15)



Glo-Ray®

Narrow Halogen Strip Heaters Rampes chauffantes étroites halogène GRN4 and GRN4L Series/Série

Installation and Operating Manual Manuel d'installation et d'utilisation



⚠ WARNING

Do not operate this equipment unless you have read and understood the contents of this manual! Failure to follow the instructions contained in this manual may result in serious injury or death. This manual contains important safety information concerning the maintenance, use, and operation of this product. If you're unable to understand the contents of this manual, please bring it to the attention of your supervisor. Keep this manual in a safe location for future reference.

English = p 2

⚠ ADVERTENCIA

No opere este equipo al menos que haya leído y comprendido el contenido de este manual! Cualquier falla en el seguimiento de las instrucciones contenidas en este manual puede resultar en un serio lesión o muerte. Este manual contiene importante información sobre seguridad concerniente al mantenimiento, uso y operación de este producto. Si usted no puede entender el contenido de este manual por favor pregunte a su supervisor. Almacenar este manual en una localización segura para la referencia futura.

⚠ AVERTISSEMENT

Ne pas utiliser cet équipement sans avoir lu et compris le contenu de ce manuel ! Le non-respect des instructions contenues dans ce manuel peut entraîner de graves blessures ou la mort. Ce manuel contient des informations importantes concernant l'entretien, l'utilisation et le fonctionnement de ce produit. Si vous ne comprenez pas le contenu de ce manuel, veuillez le signaler à votre supérieur. Conservez ce manuel dans un endroit sûr pour pouvoir vous y référer plus tard.

Français = p 15

Important Owner Information	2	Operation	9
Introduction	2	General.....	9
Important Safety Information	3	Maintenance	10
Model Description	4	General.....	10
Model Designation	4	Daily Cleaning.....	10
Specifications	4	Replacing a Heat Lamp Bulb.....	10
Dimensions — Strip Heater.....	4	Replacing a Display Light Bulb (GRN4L Models).....	11
Dimensions — Control Box.....	5	Troubleshooting Guide	12
Electrical Rating Chart — GRN4 Models.....	5	Options and Accessories	13
Electrical Rating Chart — GRN4L Models.....	5	Limited Warranty	14
Installation	6	Authorized Parts Distributors	Back Cover
General.....	6		
Installation Site Requirements.....	6		
Installing the Unit.....	7		
Installing the Control Box.....	8		

IMPORTANT OWNER INFORMATION

Record the model number, serial number, voltage, and purchase date of the unit in the spaces below (specification label located on the side of the unit). Please have this information available when calling Hatco for service assistance.

Model No. _____

Serial No. _____

Voltage _____

Date of Purchase _____

Register your unit!

Completing online warranty registration will prevent delay in obtaining warranty coverage. Access the Hatco website at www.hatcocorp.com, select the *Parts & Service* pull-down menu, and click on "Warranty Registration".

Business

Hours: 7:00 AM to 5:00 PM Central Standard Time (CST)

(Summer Hours: June to September—
7:00 AM to 5:00 PM CST Monday–Thursday
7:00 AM to 4:00 PM CST Friday)

Telephone: 800-558-0607; 414-671-6350

E-mail: partsandservice@hatcocorp.com



24 Hour 7 Day Parts and Service Assistance available in the United States and Canada by calling 800-558-0607.

Additional information can be found by visiting our web site at www.hatcocorp.com.

INTRODUCTION

Hatco Glo-Ray® Narrow Halogen Strip Heaters keep hot foods at optimum serving temperatures longer. The bright, halogen heat lamps keep the focus on the food and the narrow housing is ideal for installation in tight spaces. Foods do not dry out or become discolored; even the most delicate dishes hold that "just-prepared" look.

Glo-Ray Narrow Halogen Strip Heaters are products of extensive research and field testing. The materials used were selected for maximum durability, attractive appearance, and optimum performance. Every unit is inspected and tested thoroughly prior to shipment.

This manual provides the installation, safety, and operating instructions for Glo-Ray Narrow Halogen Strip Heaters. Hatco recommends all installation, operating, and safety instructions appearing in this manual be read prior to installation or operation of a unit.

Safety information that appears in this manual is identified by the following signal word panels:



WARNING indicates a hazardous situation which, if not avoided, could result in death or serious injury.



CAUTION indicates a hazardous situation which, if not avoided, could result in minor or moderate injury.



NOTICE is used to address practices not related to personal injury.



Read the following important safety information before using this equipment to avoid serious injury or death and to avoid damage to equipment or property.

WARNING**ELECTRIC SHOCK HAZARD:**

- Unit must be installed by a qualified electrician. Installation must conform to all local electrical codes. Installation by unqualified personnel will void unit warranty and may lead to electric shock or burn, as well as damage to unit and/or its surroundings.
- Consult a licensed electrical contractor for proper electrical installation conforming to local electrical codes and the National Electrical Code (N.E.C.).
- Turn OFF power switch, turn off power at circuit breaker, and allow unit to cool before performing any cleaning, adjustments, or maintenance.
- DO NOT submerge or saturate with water. Unit is not waterproof. Do not operate if unit has been submerged or saturated with water.
- Unit is not weatherproof. Locate unit indoors where ambient air temperature is a minimum of 70°F (21°C).
- Do not steam clean or use excessive water on unit.
- This unit is not “jet-proof” construction. Do not use jet-clean spray to clean this unit.
- Do not clean unit when it is energized or hot.
- Control box must be mounted in a vertical surface. Mounting control box in a horizontal surface may result in the collection of liquids and lead to electric shock.
- This unit must be serviced by qualified personnel only. Service by unqualified personnel may lead to electric shock or burn.
- Use only Genuine Hatco Replacement Parts when service is required. Failure to use Genuine Hatco Replacement Parts will void all warranties and may subject operators of the equipment to hazardous electrical voltage, resulting in electrical shock or burn. Genuine Hatco Replacement Parts are specified to operate safely in the environments in which they are used. Some aftermarket or generic replacement parts do not have the characteristics that will allow them to operate safely in Hatco equipment.

FIRE HAZARD:

- Locate unit the correct distance from combustible walls and materials. If safe distances are not maintained, discoloration or combustion could occur. Refer to specific installation and mounting information in this manual for proper clearances.
- Make sure to follow the installation information listed below for halogen strip heaters. If safe distances are not maintained, discoloration or combustion could occur.
 - a. Do not install halogen strip heaters less than 10” (254 mm) above combustible surfaces.
 - b. Do not install halogen strip heaters less than 7” (178 mm) above non-combustible surfaces.
 - c. Install all halogen strip heaters with a minimum distance of 2” (51 mm) from any wall or adjacent surface.

EXPLOSION HAZARD: Do not store or use gasoline or other flammable vapors or liquids in the vicinity of this or any other appliance.

WARNING

Make sure all operators have been instructed on the safe and proper use of the unit.

This unit is not intended for use by children or persons with reduced physical, sensory, or mental capabilities. Ensure proper supervision of children and keep them away from the unit.

The light fixtures in this unit have glass safety shields covering the light bulbs to meet National Sanitation Foundation (NSF) standards. To avoid personal injury and/or food contamination, always operate unit with glass safety shields properly installed.

Hatco Corporation is not responsible for actual food product serving temperature. It is the responsibility of the user to ensure that food product is held and served at a safe temperature.

This unit has no “user-serviceable” parts. If service is required on this unit, contact an Authorized Hatco Service Agent or contact the Hatco Service Department at 800-558-0607 or 414-671-6350.

CAUTION

BURN HAZARD: Some exterior surfaces on unit will get hot. Avoid unnecessary contact with unit.

Standard and approved manufacturing oils may smoke for 30–45 minutes during initial startup. This is a temporary condition. Operate unit without food product until smoke dissipates.

Ensure safe and proper operation. Refer to the “Installation Site Requirements” listed in the INSTALLATION section of this manual.

NOTICE

Do not touch halogen heat lamp bulbs with bare hands. Use gloves, cloth, or paper towel when handling halogen bulbs. Oil from skin will reduce bulb life and effectiveness.

Damage to any countertop material caused by heat generated from Hatco equipment is not covered under the Hatco warranty. Contact manufacturer of countertop material for application information.

Installation of two or more separate units with less than 3” (76 mm) between housings may result in premature failure of component parts. Failure to provide proper spacing may result in heat damage to electrical components.

Install remote-mounted control box outside areas subject to temperatures above 85°F (29°C). Excessive temperatures will cause control(s) to overheat, malfunction, and fail.

Use non-abrasive cleaners and cloths only. Abrasive cleaners and cloths could scratch finish of unit, marring its appearance and making it susceptible to soil accumulation. Use of abrasive materials will void warranty.

This unit is intended for commercial use only—NOT for household use.

MODEL DESCRIPTION

All Models

All Glo-Ray® Narrow Halogen Strip Heaters consist of a narrow-style steel housing that is ideal for installation in tight spaces. Each is equipped with halogen heat lamps that provide even heating as well as bright display lighting. Controls are housed in a remote-mounted control box. Finish options include stainless steel or several powdercoated colors, and gloss finishes.

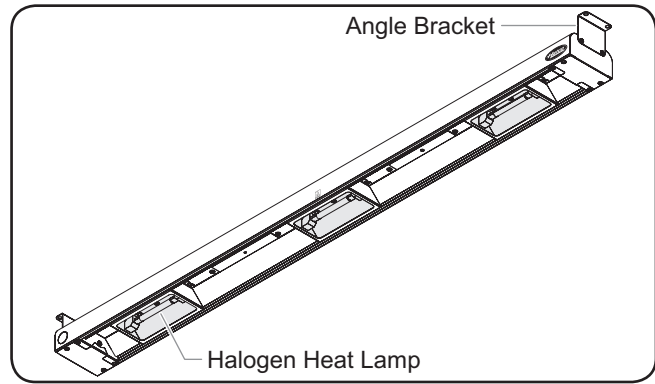
Narrow Halogen Strip Heaters are supplied with angle brackets for under-shelf mounting. Optional, non-adjustable tubular stands are available for countertop mounting (refer to the OPTIONS AND ACCESSORIES section for details).

GRN4 Models

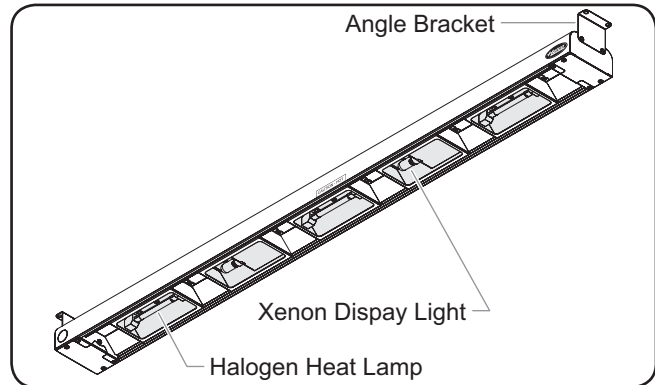
GRN4 models are available in widths from 18" (457 mm) to 72" (1829 mm). They are equipped with halogen heat lamps only. The controls consist of a HEAT ON/OFF (I/O) switch and a HEAT control knob.

GRN4L Models

GRN4L models are available in widths from 24" (610 mm) to 72" (1829 mm). They are equipped with both halogen heat lamps and Xenon display lights. The Xenon display lights provide additional lighting when the halogen heat lamps are off or on a lower heat setting. The controls consist of a HEAT ON/OFF (I/O) switch, a HEAT control knob, and a LIGHTS ON/OFF (I/O) switch.

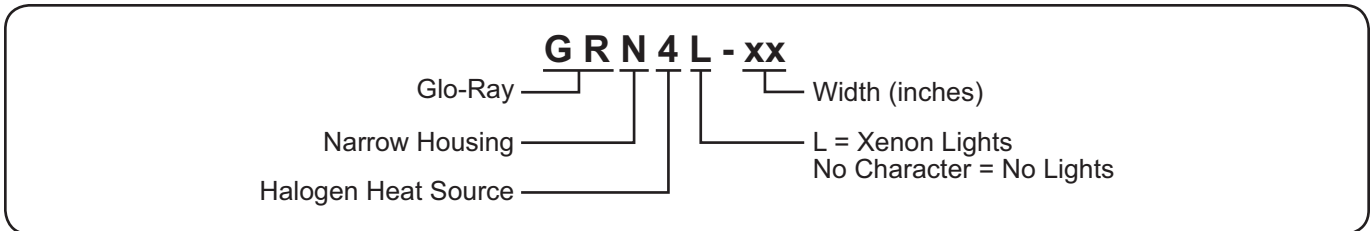


GRN4 Model



GRN4L Model

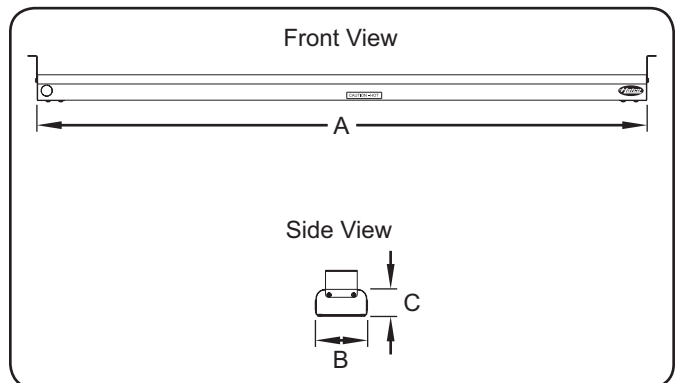
MODEL DESIGNATION



SPECIFICATIONS

Dimensions — Strip Heater

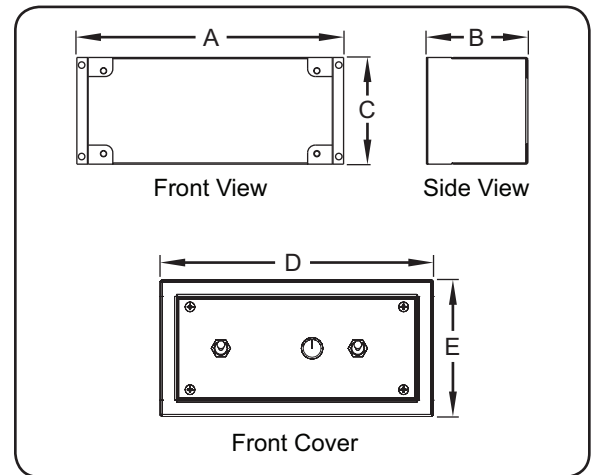
Model	Width (A)	Depth (B)	Height (C)
GRN4	18 - 72" (457 - 1829 mm)	4" (102 mm)	2-1/8" (54 mm)
GRN4L	24 - 72" (610 - 1829 mm)	4" (102 mm)	2-1/8" (54 mm)



Strip Heater Dimensions

Dimensions — Control Box

Model	Width (A)	Depth (B)	Height (C)	Cover Width (D)	Cover Height (E)
Control Box	8-3/4" (222 mm)	3-3/8" (85 mm)	3-1/2" (89 mm)	9" (227 mm)	4-1/2" (114 mm)



Control Box Dimensions

Electrical Rating Chart — GRN4 Models

Model	Voltage	Watts	Amps	# Halogen Bulbs	Shipping Weight
GRN4-18	120	400	3.3	2	8 lbs. (4 Kg)
GRN4-24	120	400	3.3	2	8 lbs. (4 Kg)
GRN4-30	120	400	3.3	2	10 lbs. (5 Kg)
GRN4-36	120	600	5.0	3	11 lbs. (5 Kg)
GRN4-42	120	600	5.0	3	12 lbs. (5 Kg)
GRN4-48	120	600	5.0	3	12 lbs. (5 Kg)
GRN4-54	120	800	6.7	4	15 lbs. (7 Kg)
GRN4-60	120	800	6.7	4	15 lbs. (7 Kg)
GRN4-66	120	1000	8.3	5	17 lbs. (8 Kg)
GRN4-72	120	1000	8.3	5	18 lbs. (8 Kg)

Electrical Rating Chart — GRN4L Models

Model	Voltage	Watts	Amps	# Halogen Bulbs	# Xenon Bulbs	Shipping Weight
GRN4L-24	120	450	3.8	2	1	8 lbs. (4 Kg)
GRN4L-30	120	450	3.8	2	1	10 lbs. (5 Kg)
GRN4L-36	120	700	5.8	3	2	13 lbs. (6 Kg)
GRN4L-42	120	700	5.8	3	2	14 lbs. (6 Kg)
GRN4L-48	120	700	5.8	3	2	14 lbs. (6 Kg)
GRN4L-54	120	950	7.9	4	3	17 lbs. (8 Kg)
GRN4L-60	120	950	7.9	4	3	18 lbs. (8 Kg)
GRN4L-66	120	1200	10.0	5	4	21 lbs. (10 Kg)
GRN4L-72	120	1200	10.0	5	4	21 lbs. (10 Kg)

NOTE: Specification label located on the side of the unit. See label for serial number and verification of unit electrical information.

General

Use the information in this section to prepare for installation of the strip heater. Make sure to locate the specific information for the model of strip heater and type of installation.



ELECTRIC SHOCK HAZARD:

- Unit must be installed by a qualified electrician. Installation must conform to all local electrical codes. Installation by unqualified personnel will void unit warranty and may lead to electric shock or burn, as well as damage to unit and/or its surroundings.
- Consult a licensed electrical contractor for proper electrical installation conforming to local electrical codes and the National Electrical Code (N.E.C.).
- Unit is not weatherproof. Locate unit indoors where ambient air temperature is a minimum of 70°F (21°C).

FIRE HAZARD:

- Locate unit the correct distance from combustible walls and materials. If safe distances are not maintained, discoloration or combustion could occur. Refer to specific installation and mounting information in this manual for proper clearances.
- Make sure to follow the installation information listed below for halogen strip heaters. If safe distances are not maintained, discoloration or combustion could occur.
 - a. Do not install halogen strip heaters less than 10" (254 mm) above combustible surfaces.
 - b. Do not install halogen strip heaters less than 7" (178 mm) above non-combustible surfaces.
 - c. Install all halogen strip heaters with a minimum distance of 2" (51 mm) from any wall or adjacent surface.

1. Remove the unit from the carton.

NOTE: To prevent delay in obtaining warranty coverage, complete online warranty registration. See the IMPORTANT OWNER INFORMATION section for details.

2. Remove tape and protective packaging from all surfaces of the unit.
3. Install the unit in the desired location. Refer to the "Installing the Unit" procedure in this section.
 - Locate the unit in an area where the ambient air temperature is constant and a minimum of 70°F (21°C). Avoid areas that may be subject to active air movements or currents (i.e., near exhaust fans/hoods and air conditioning ducts).
 - Make sure the unit is installed with the proper clearances from adjacent surfaces.

4. Install the control box in the desired location. Refer to "Installing the Control Box" procedure in this section.

Installation Site Requirements

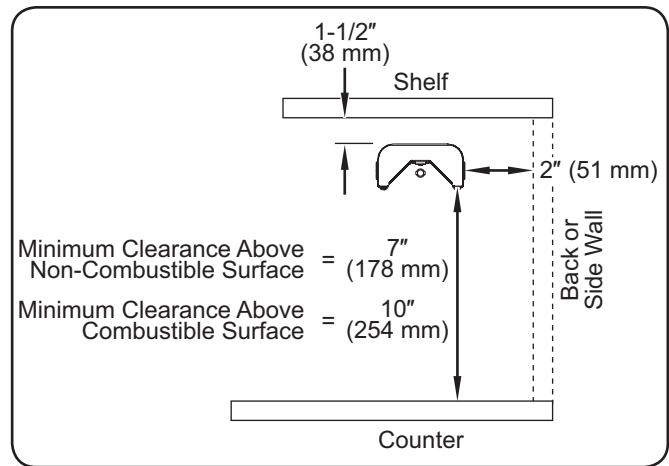
The installation site must meet specific requirements for safe and proper installation of the unit.

- Make sure the countertop material is designed to withstand long periods of hot food holding temperatures. Contact the manufacturer of the countertop material for application information.
- Make sure the installation site provides the proper minimum clearances for adjacent surfaces. The following are the required minimum clearances:

Above Unit = 1-1/2" (38 mm)

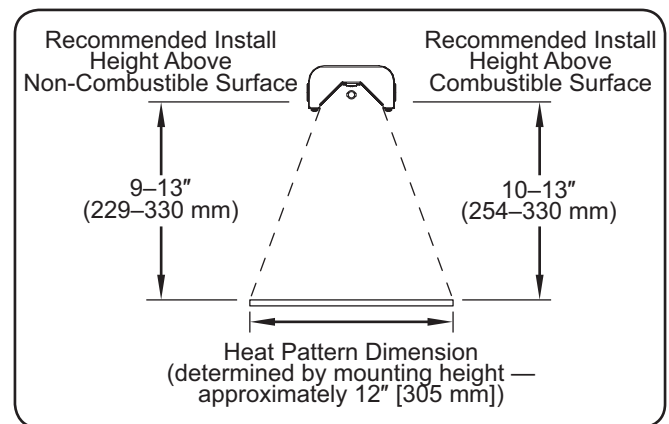
Sides of Unit = 2" (51 mm)

Below Unit = 7" (178 mm), non-combustible base surface
10" (254), combustible base surface



Minimum Clearances

NOTE: Halogen strip heaters can be installed over a steam table. Follow the clearance requirements for installation over a non-combustible base surface.



Recommended Installation Heights

Installing the Unit

Use the following procedure to install the unit using the supplied angle brackets. Refer to the OPTIONS AND ACCESSORIES section near the back of this manual for other installation options.

NOTE: Consult the manufacturer of the countertop material for application information and surface temperature limits before installing the unit.

NOTICE

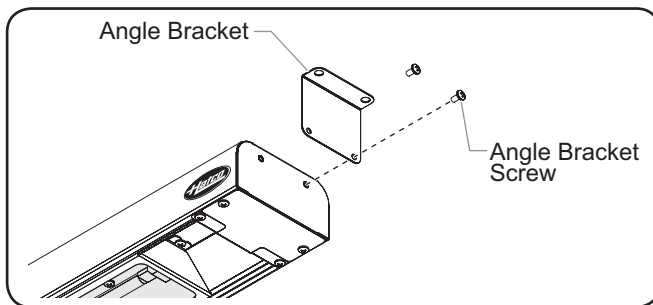
Damage to any countertop material caused by heat generated from Hatco equipment is not covered under the Hatco warranty. Contact manufacturer of countertop material for application information.

1. Position the unit on a flat surface with the halogen lights facing down.
2. Install the angle brackets on each end of the unit.

NOTE: The angle brackets are shipped loose in the carton.

On each end of the unit:

- a. Remove the two angle bracket screws.
- b. Align the angle bracket with the mounting holes on the unit. Secure the bracket with the two angle bracket screws.

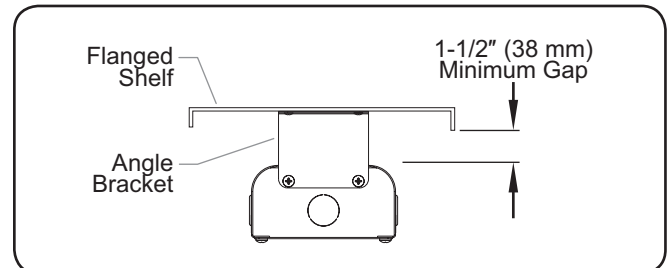


Angle Bracket Installation

NOTE: The angle brackets provide the required 1-1/2" (38 mm) minimum clearance above the unit.

3. Fasten the angle brackets to the underside of the shelf using appropriate fasteners (not supplied by Hatco). Make sure the unit is facing the desired direction with the wire leads on the proper side before fastening the unit to the shelf.

- A minimum gap of 1-1/2" (38 mm) is required between the unit and the underside of a rolled or flanged edge of the shelf to prevent heat damage to the electrical system of the unit.



Shelf Installation

4. Route the wire leads toward the installation location for the control box.

Installing the Control Box

Use the following procedure to install the control box.

NOTE: Units can be ordered with up to ten feet (3 m) of wire leads, depending on the installation location of the control box.



Control box must be mounted in a vertical surface. Mounting control box in a horizontal surface may result in the collection of liquids and lead to electric shock.



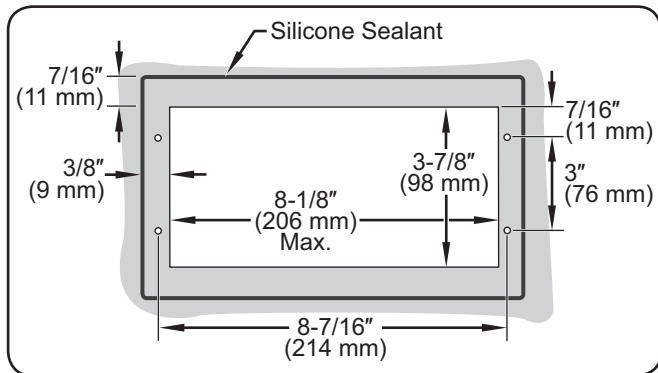
Install remote-mounted control box outside of heat zone. Locating control box inside heat zone will cause control(s) to overheat, malfunction, and fail.

IMPORTANT NOTE:

Remote-mounted control boxes must be installed in a cool, dry location as far away from any heat zone as possible. Do not mount control boxes directly on, under, or above unit. Do not mount control boxes in direct contact with any heated surface or near any steam generating equipment.

1. Make the appropriate cutout in the vertical surface where the control box will be installed. Refer to the illustration below for cutout dimensions.

NOTE: Make sure a minimum depth of 5-1/4" (133 mm) is available behind the vertical surface for the depth of the control box and wires.

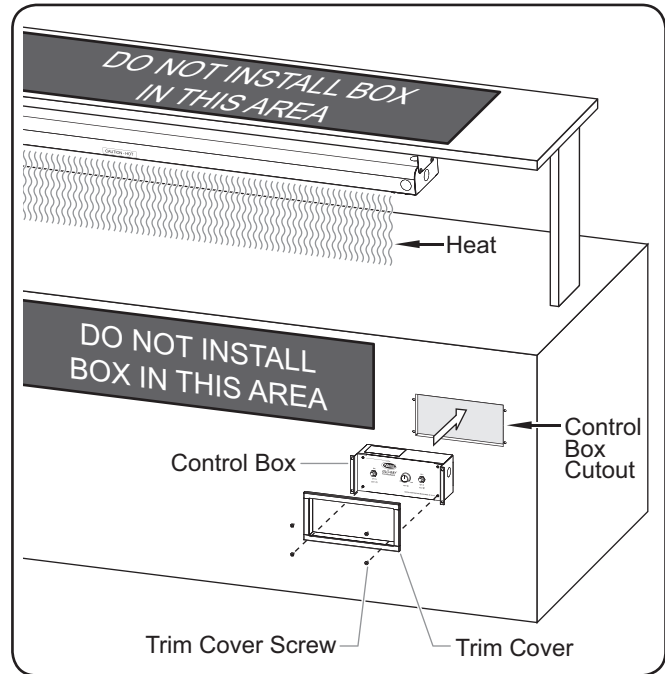


Control Box Cutout and Screw Hole Dimensions

NOTE: Make sure the width of the control box cutout does not exceed the above dimension.

2. Complete the routing of the wire leads from the unit to meet up with the wire leads on the control box.
3. Route the wire leads from the power supply to meet up with the wire leads on the control box.

4. Remove the four trim cover screws from the control box, and remove the trim cover.
5. Make the electrical connections between the unit and the control box. Refer to the wiring diagram included with the unit.
6. Make the electrical connections between the control box and the power supply. Refer to the wiring diagram included with the unit.
7. Install the control box in the cutout. Make sure the wiring on the back of control box is not pinched during installation.
8. Fasten the control box to the vertical surface using four screws (not supplied).
9. Apply a 1/4" (6 mm) bead of NSF-approved silicone sealant where the trim cover will contact the cabinet surface. Refer to the "Control Box Cutout and Screw Hole Dimensions" illustration for more information.
10. Reinstall the trim cover on the control box and secure in position using the four trim cover screws.



Installing the Control Box

General

Use the following information to operate a Glo-Ray® Narrow Halogen Strip Heater.

⚠ WARNING

Read all safety messages in the **IMPORTANT SAFETY INFORMATION SECTION** before operating this equipment.

⚠ CAUTION

Standard and approved manufacturing oils may smoke up to 30 minutes during initial startup. This is a temporary condition. Operate unit without food product until smoke dissipates.

Startup

1. Move the HEAT ON/OFF (I/O) switch to the ON (I) position. The halogen heat lamps will illuminate.
2. Turn the HEAT control knob to the desired setting.
3. For GRN4L Models, move the LIGHTS ON/OFF (I/O) switch to the ON (I) position. The Xenon display lights will illuminate.

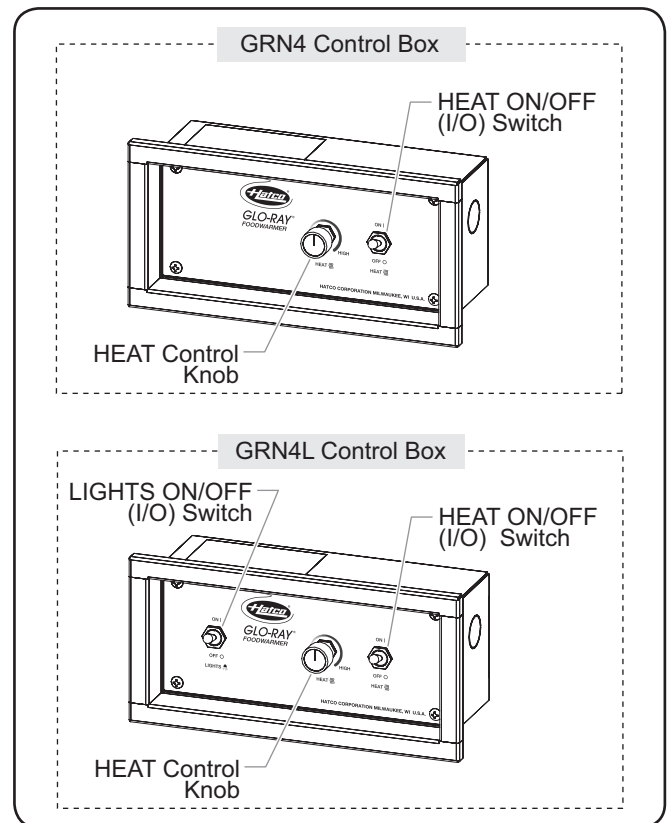
⚠ CAUTION

BURN HAZARD: Some exterior surfaces on unit will get hot. Use caution when touching these areas.

4. Allow 30 minutes to reach operating temperature before holding food product underneath the strip heater.

Shutdown

1. Move the HEAT ON/OFF (I/O) switch to the OFF (O) position.
2. For GRN4L Models, move the LIGHTS ON/OFF (I/O) switch to the OFF (O) position.



GRN4 and GRN4L Control Boxes

General

Glo-Ray® Narrow Halogen Strip Heaters are designed for maximum durability and performance with minimum maintenance.



ELECTRIC SHOCK HAZARD:

- Turn OFF power switch, turn off power at circuit breaker, and allow unit to cool before performing any cleaning, adjustments, or maintenance.
- DO NOT submerge or saturate with water. Unit is not waterproof. Do not operate if unit has been submerged or saturated with water.
- Do not steam clean or use excessive water on unit.
- This unit is not “jet-proof” construction. Do not use jet-clean spray to clean this unit.
- Do not clean unit when it is energized or hot.
- Use only Genuine Hatco Replacement Parts when service is required. Failure to use Genuine Hatco Replacement Parts will void all warranties and may subject operators of the equipment to hazardous electrical voltage, resulting in electrical shock or burn. Genuine Hatco Replacement Parts are specified to operate safely in the environments in which they are used. Some aftermarket or generic replacement parts do not have the characteristics that will allow them to operate safely in Hatco equipment.

This unit has no “user-serviceable” parts. If service is required on this unit, contact an Authorized Hatco Service Agent or contact the Hatco Service Department at 800-558-0607 or 414-671-6350.

Daily Cleaning

To preserve the finish of the unit as well as maintain performance, it is recommended that the unit be cleaned daily.



Use non-abrasive cleaners and cloths only. Abrasive cleaners and cloths could scratch finish of unit, marring its appearance and making it susceptible to soil accumulation.

1. Turn off the unit and allow it to cool.
2. Wipe down all metal surfaces using a soft, clean, damp cloth. Stubborn stains may be removed with a non-abrasive cleaner. Hard to reach areas should be cleaned with a small brush and mild soap.
3. Wipe dry all metal surfaces with a clean, non-abrasive cloth.
4. Clean the glass shields using standard glass cleaner. Spray glass cleaner onto a paper towel and then wipe glass. Do not spray directly onto glass.

Replacing a Heat Lamp Bulb

Use the following procedure to replace a halogen heat lamp bulb. Use Hatco P/N R02.30.170.00 when replacing a halogen heat lamp.

NOTE: Heat lamps supplied by Hatco are designed specifically for this application. Use of heat lamps not supplied by Hatco will void the unit warranty.



The light fixtures in this unit have glass safety shields covering the light bulbs to meet National Sanitation Foundation (NSF) standards. To avoid personal injury and/or food contamination, always operate unit with glass safety shields properly installed.

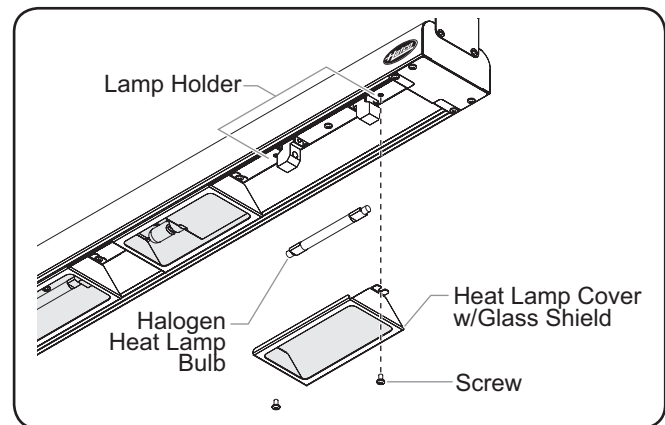
1. Turn off the unit, disconnect from the power circuit, and allow the unit to cool.
2. Holding one hand under the heat lamp cover, use a screwdriver to remove the two screws that secure the heat lamp cover in position.

NOTE: The glass shield inside the heat lamp cover is loose and will drop down with the heat lamp cover. Make sure to support the heat lamp cover with one hand during removal of the screws.



Do not touch halogen heat lamp with bare hands. Use clean gloves, cloth, or paper towel when handling halogen lamps. Oil from skin will reduce lamp life and effectiveness.

3. Remove the old heat lamp bulb from the lamp holder. The bulbs are held in position with spring steel contacts on each side of the lamp holder. To remove:
 - a. Grasp the old bulb and carefully push it into one of the spring steel contacts in the lamp holder to release it from the opposite side spring steel contact.
 - b. Pull the free end of the lamp down and remove the bulb from the lamp holder.



Replacing a Heat Lamp

4. While wearing gloves or using other protection, install the new bulb into the lamp holder.
 - a. Grasp the new bulb and carefully push one end into the spring steel contact in one side of the lamp holder.
 - b. Lift the other end of the bulb into position against the spring steel contact on the opposite side of the lamp holder (opposing pressure from the spring steel contacts will hold the bulb securely in the lamp holder).
 5. Position the heat lamp cover with glass shield over the halogen heat lamp bulb and secure using the two screws.
3. Remove the old Xenon display light bulb from the light socket.
 - a. Rotate the bulb in the socket until the tabs on bulb are clear of the locking channels on the socket,
 - b. Pull the bulb out of the socket.
 4. Install a new Xenon display light bulb into the light socket.
 - a. Push the bulb into the socket until the tabs on the bulb align with the locking channels on the socket.
 - b. Turn the bulb so that the tabs on the bulb lock into the locking channels on the socket.
 5. Position the light cover with glass shield over the Xenon display light bulb, and secure using the two screws.

Replacing a Display Light Bulb (GRN4L Models)

GRN4L models are equipped with Xenon display lights that help illuminate the warming area. Use Hatco P/N R02.30.171.00 when replacing a Xenon light bulb.

NOTE: Light bulbs supplied by Hatco are designed specifically for this application. Use of light bulbs not supplied by Hatco will void the unit warranty.



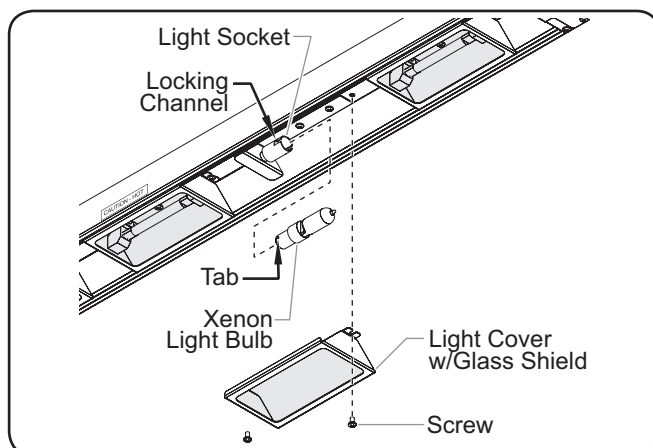
WARNING

The light fixtures in this unit have glass safety shields covering the light bulbs to meet National Sanitation Foundation (NSF) standards. To avoid personal injury and/or food contamination, always operate unit with glass safety shields properly installed.

Use the following procedure to replace a Xenon light bulb.

1. Turn off the unit, disconnect from the power circuit, and allow the unit to cool.
2. Holding one hand under the light cover, use a screwdriver to remove the two screws that secure the light cover in position.

NOTE: The glass shield inside the light cover is loose and will drop down with the light cover. Make sure to support the light cover with one hand during removal of the screws.



Replacing a Display Light



WARNING

This unit must be serviced by qualified personnel only. Service by unqualified personnel may lead to electric shock or burn.



WARNING

ELECTRIC SHOCK HAZARD: Turn OFF power switch, turn off power at circuit breaker, and allow unit to cool before performing any cleaning, adjustments, or maintenance.

Symptom	Probable Cause	Corrective Action
Unit is turned on, but not working.	Circuit breaker tripped.	Reset circuit breaker.
	Heat lamp bulb and/or light bulb burned out.	Replace bulb(s). Refer to replacement procedures in the MAINTENANCE section of this manual
	HEAT ON/OFF (I/O) switch defective.	Contact Authorized Service Agent or Hatco for assistance.
	Supply voltage to unit is incorrect.	Verify that voltage supply matches electrical information listed on the unit.
	Internal electrical malfunction.	Contact Authorized Service Agent or Hatco for assistance.
Heat is inadequate.	HEAT control knob set too low.	Turn the HEAT control knob to a higher setting.
	Unit mounted too high above target area.	Lower unit, putting effective heat closer to target.
	Excessive air movement around strip heater target area.	Restrict or redirect air movement (air conditioning duct or exhaust fan) away from unit.
	Supply voltage to unit is incorrect.	Verify the supply voltage to the unit matches the unit specifications.
Heat is excessive.	HEAT control knob set too high.	Turn the HEAT control knob to a lower setting.
	Unit mounted too close to target area.	Check to see that installation is within specifications for type/model. Increase mounting height if too close.
	Supply voltage to unit is incorrect.	Verify that voltage supply matches electrical information listed on the unit.
	Heat control switch is defective.	Contact Authorized Service Agent or Hatco for assistance.

Troubleshooting Questions?

If you continue to have problems resolving an issue, please contact the nearest Authorized Hatco Service Agency or Hatco for assistance. To locate the nearest Service Agency, log onto the Hatco website at www.hatcocorp.com and click on *Find Service Agent*, or contact the **Hatco Parts and Service Team** at:

Telephone: 800-558-0607 or 414-671-6350

e-mail: partsandservice@hatcocorp.com

Non-Adjustable Tubular Stands

Tubular stand mounting permanently attaches the unit to a countertop or serving table. All wiring may be concealed within one of the tubular stands.

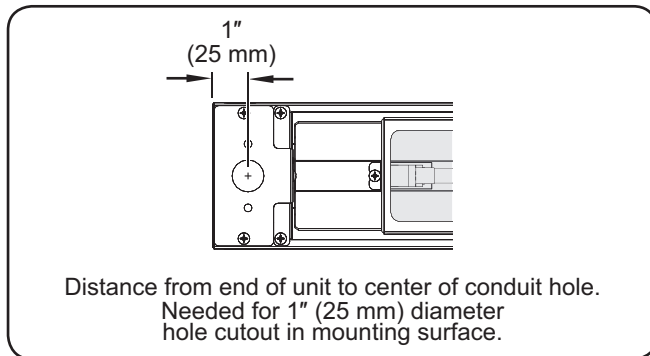
CAUTION

Ensure safe and proper operation. Refer to the “Installation Site Requirements” listed in the INSTALLATION section of this manual.

Aluminum, non-adjustable tubular stands are available in heights of 10", 12", 14", and 16" (254, 305, 356, and 406 mm).

NOTE: Tubular stands cannot be retrofitted in the field.

NOTE: If wiring is to be concealed, a 1" (25 mm) diameter hole must be provided in the mounting surface centered under the stand containing the wire leads.

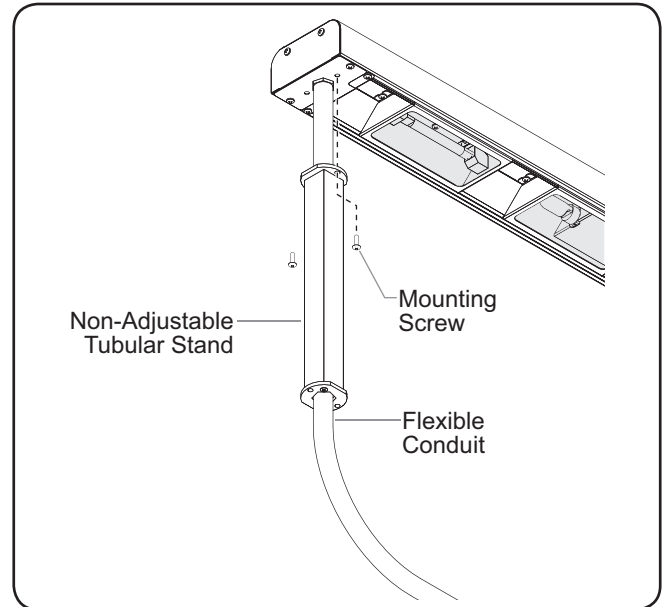


Countertop Conduit Hole Dimension

1. Position the unit upside-down on a flat surface.

NOTE: Units for this application are supplied with the conduit attached to one side of the unit. Conduit should not be removed.

2. If applicable, route the flexible conduit through the center of one of the stands.
3. Pull the conduit-side stand up against the unit and secure the stand to the unit using the screws supplied. Align the other stand with the mounting holes at the other end of the unit and secure the stand to the unit using the screws supplied.
4. If applicable, route the flexible conduit through the 1" (25 mm) diameter hole cut into the mounting surface.
5. Secure the stands to the mounting surface.



Tubular Stand Mounting

1. PRODUCT WARRANTY

Hatco warrants the products that it manufactures (the "Products") to be free from defects in materials and workmanship, under normal use and service, for a period of one (1) year from the date of purchase when installed and maintained in accordance with Hatco's written instructions or 18 months from the date of shipment from Hatco. Buyer must establish the Product's purchase date by registering the Product with Hatco or by other means satisfactory to Hatco in its sole discretion.

Hatco warrants the following Product components to be free from defects in materials and workmanship from the date of purchase (subject to the foregoing conditions) for the period(s) of time and on the conditions listed below:

a) One (1) Year Parts and Labor PLUS One (1) Additional Year Parts-Only Warranty:

- Conveyor Toaster Elements (metal sheathed)
- Drawer Warmer Elements (metal sheathed)
- Drawer Warmer Drawer Rollers and Slides
- Strip Heater Elements (metal sheathed)
- Display Warmer Elements (metal sheathed air heating)
- Holding Cabinet Elements (metal sheathed air heating)
- Heated Well Elements—HW and HWB Series (metal sheathed)

b) Two (2) Year Parts and Labor Warranty:

- Induction Ranges

c) One (1) Year Parts and Labor PLUS Four (4) Years Parts-Only Warranty:

- 3CS and FR Tanks

d) One (1) Year Parts and Labor PLUS Nine (9) Years Parts-Only Warranty on:

- Electric Booster Heater Tanks
- Gas Booster Heater Tanks

e) Ninety (90) Day Parts-Only Warranty:

- Replacement Parts

THE FOREGOING WARRANTIES ARE EXCLUSIVE AND IN LIEU OF ANY OTHER WARRANTY, EXPRESSED OR IMPLIED, INCLUDING BUT NOT LIMITED TO ANY IMPLIED WARRANTY OF MERCHANTABILITY OR FITNESS FOR A PARTICULAR PURPOSE OR PATENT OR OTHER INTELLECTUAL PROPERTY RIGHT INFRINGEMENT. Without limiting the generality of the foregoing, SUCH WARRANTIES DO NOT COVER: Coated incandescent light bulbs, fluorescent lights, heat lamp bulbs, coated halogen light bulbs, halogen heat lamp bulbs, xenon light bulbs, LED light tubes, glass components, and fuses; Product failure in booster tank, fin tube heat exchanger, or other water heating equipment caused by liming, sediment buildup, chemical attack, or freezing; or Product misuse, tampering or misapplication, improper installation, or application of improper voltage.

2. LIMITATION OF REMEDIES AND DAMAGES

Hatco's liability and Buyer's exclusive remedy hereunder will be limited solely, at Hatco's option, to repair or replacement using new or refurbished parts or Product by Hatco or a Hatco-authorized service agency (other than where Buyer is located outside of the United States, Canada, United Kingdom, or Australia, in which case Hatco's liability and Buyer's exclusive remedy hereunder will be limited solely to replacement of part under warranty) with respect to any claim made within the applicable warranty period referred to above. Hatco reserves the right to accept or reject any such claim in whole or in part. In the context of this Limited Warranty, "refurbished" means a part or Product that has been returned to its original specifications by Hatco or a Hatco-authorized service agency. Hatco will not accept the return of any Product without prior written approval from Hatco, and all such approved returns shall be made at Buyer's sole expense. HATCO WILL NOT BE LIABLE, UNDER ANY CIRCUMSTANCES, FOR CONSEQUENTIAL OR INCIDENTAL DAMAGES, INCLUDING BUT NOT LIMITED TO LABOR COSTS OR LOST PROFITS RESULTING FROM THE USE OF OR INABILITY TO USE THE PRODUCTS OR FROM THE PRODUCTS BEING INCORPORATED IN OR BECOMING A COMPONENT OF ANY OTHER PRODUCT OR GOODS.

Informations Importantes pour le Propriétaire.....	15	Mode d'emploi	22
Introduction.....	15	Généralités	22
Consignes de Sécurité Importantes.....	16	Maintenance.....	23
Description du Modèle.....	17	Généralités	23
Désignation du Modèle.....	17	Nettoyage quotidien.....	23
Caractéristiques Techniques	18	Remplacer une ampoule de lampe chauffante	23
Dimensions — Rampe chauffante.....	18	Remplacer une ampoule de lampe d'étagère	
Dimensions — Boîtiers de commande.....	18	(modèles GRN4L).....	24
Tableau des valeurs nominales électriques — GRN4.....	18	Guide de Dépannage.....	25
Tableau des valeurs nominales électriques — GRN4L.....	19	Options et Accessoires	26
Installation.....	19	Garantie Limitée	27
Généralités	19		
Exigences du lieu d'installation	20		
Installer l'appareil.....	20		
Installer le boîtier de commande	21		

INFORMATIONS IMPORTANTES POUR LE PROPRIÉTAIRE

Noter le numéro de modèle, le numéro de série, le voltage et la date d'achat de votre appareil ci-dessous (étiquette de spécification située sur le côté de l'appareil). Veuillez avoir cette information à portée de la main si vous appelez Hatco pour assistance.

Modèle No. _____

Numéro de série _____

Voltage _____

Date d'achat _____

Enregistrez votre appareil!

- Remplissez la garantie en ligne pour éviter les retards pour faire jouer la garantie. Accédez au site Web Hatco www.hatcocorp.com, sélectionnez le menu déroulant Parts & Service, puis cliquez sur Warranty Registration.

Horaires

ouvrables: 7h00 à 17h00
Heure du Centre des États-Unis (CST)
(Horaires d'été : juin à septembre—
7h00 à 17h00 CST du lundi au jeudi
7h00 à 16h00 CST le vendredi)

Téléphone: 800-558-0607; 414-671-6350

Courriel: partsandservice@hatcocorp.com



Service d'assistance et de pièces de rechange disponible 7j/7, 24h/24 aux États-Unis et au Canada en composant le 800-558-0607.

Des renseignements supplémentaires sont disponibles sur notre site Web à www.hatcocorp.com.

INTRODUCTION

Les rampes chauffantes étroites halogène Glo-Ray® de Hatco gardent plus longtemps les aliments chauds à des températures de service optimales. Les lampes chauffantes halogène lumineuses mettent la nourriture en avant et leur boîtier étroit est idéal pour une installation dans des espaces confinés. Les aliments ne se dessèchent et ne se décolorent pas ; même les plats les plus délicats donnent l'impression de sortir tout juste du fourneau.

Les rampes chauffantes étroites halogène Glo-Ray® de Hatco sont le fruit de recherches poussées et d'essais sur site complets. Les matériaux utilisés ont été sélectionnés pour une durabilité maximale, un aspect esthétique et une performance optimale. Chaque appareil est soigneusement inspecté et testé avant expédition.

Ce manuel fournit les consignes d'installation, de sécurité et de fonctionnement des rampes chauffantes étroites halogène Glo-Ray. Hatco vous recommande de lire l'ensemble des instructions d'installation, de sécurité et de fonctionnement contenues dans ce manuel avant d'installer et d'utiliser l'appareil.

Les consignes de sécurité qui apparaissent dans ce manuel sont identifiées par les mots indicateurs suivants :

⚠ AVERTISSEMENT

AVERTISSEMENT indique une situation dangereuse qui, si elle n'est pas évitée, peut provoquer la mort ou des blessures graves.

⚠ ATTENTION

ATTENTION indique une situation dangereuse qui, si elle n'est pas évitée, peut provoquer des blessures légères ou moyennes.

AVIS

AVIS est utilisé pour des questions sans rapport avec des blessures corporelles.

⚠ Lisez l'information de sécurité importante suivante avant d'utiliser cet équipement pour éviter des dommages ou la mort sérieux et pour éviter d'endommager l'équipement ou la propriété.

⚠ AVERTISSEMENT

DANGER DE DÉCHARGE ÉLECTRIQUE :

- L'appareil doit être installé par un électricien qualifié. L'installation doit être conforme à l'ensemble des réglementations électriques locales. Une installation par un personnel non qualifié provoquera une annulation de la garantie de l'appareil. Cela peut également entraîner un choc électrique ou une brûlure et endommager l'unité et/ou les zones environnantes.
- Consultez un électricien agréé pour l'accomplissement d'une installation électrique appropriée conformément aux réglementations nationales (National Electrical Code) et locales relatives à l'électricité.
- Mettez l'interrupteur sur « ARRÊT », coupez le courant au disjoncteur et laissez refroidir l'unité avant d'effectuer toute opération de nettoyage, de réglage ou d'entretien.
- NE PAS immerger l'appareil ni le saturer d'eau. L'appareil n'est pas étanche à l'eau. Ne pas le faire fonctionner s'il a été immergé ou saturé d'eau.
- N'installez pas l'unité au-dessus d'une table à vapeur ou d'un autre appareil générant de la vapeur.
- L'appareil n'est pas à l'épreuve des intempéries. Placer l'appareil à l'intérieur à une température ambiante de 21°C (70°F) minimum.
- Ne pas nettoyer à la vapeur ni utiliser trop d'eau sur l'appareil.
- Cet appareil n'est pas étanche aux jets. Ne pas utiliser de jet sous pression pour nettoyer l'appareil.
- Ne pas nettoyer l'appareil tant qu'il est branché ou chaud.
- Le boîtier de commande doit être installé sur une surface verticale. L'installation du boîtier de commande sur une surface horizontale peut entraîner une accumulation de liquides et un risque d'électrocution.
- Ne pas tenter de réparer ni de changer un cordon électrique endommagé. Ce cordon doit être changé par Hatco, par un réparateur Hatco agréé ou par une personne de qualifications comparables.
- Pour les réparations, utiliser exclusivement des pièces de rechange Hatco d'origine. Utilisez des pièces détachées Hatco authentiques sous peine d'annuler toutes les garanties et d'exposer l'utilisateur à des tensions électriques dangereuses pouvant entraîner une électrocution ou des brûlures. Les pièces de rechange Hatco d'origine sont conçues pour fonctionner sans danger dans les environnements dans lesquels elles sont utilisées. Certaines pièces de rechange génériques ou de second marché ne présentent pas les caractéristiques leur permettant de fonctionner sans danger dans la matériel Hatco.

DANGER D'INCENDIE :

- Positionnez l'appareil à bonne distance des murs et matériaux combustibles. Si ces distances de sécurité ne sont pas respectées, une décoloration ou une combustion peut se produire. Reportez-vous aux informations spécifiques d'installation et de montage de ce manuel pour connaître les décalages adéquats.

⚠ AVERTISSEMENT

DANGER D'INCENDIE :

- Assurez-vous de suivre les informations d'installation présentées ci-dessous concernant les rampes chauffantes halogène. Si ces distances de sécurité ne sont pas respectées, une décoloration ou une combustion peut se produire.
 - a. N'installez pas de rampe chauffante halogène à une distance inférieure à 254 mm (10") au-dessus des surfaces combustibles.
 - b. N'installez pas de rampe chauffante halogène à moins de 178 mm (7") au-dessus des surfaces non combustibles.
 - c. Installez toutes les rampes chauffantes halogène à une distance minimale de 51 mm (2") par rapport aux murs ou surfaces adjacentes.

RISQUE D'EXPLOSION : Ne conservez pas ou n'utilisez pas d'essence ou d'autres vapeurs ou liquides inflammables à proximité de ces plaques ou de tout autre appareil.

N'utilisez que des ampoules électriques qui correspondent ou qui surpassent les normes de la Fondation Nationale des Affaires Sanitaires (NSF) et qui sont spécifiquement conçues pour les espaces de conservation des aliments. Les bris d'une ampoule électrique non-opalifiée peuvent provoquer des dommages corporels et/ou une contamination des aliments.

Assurez-vous que tous les opérateurs ont été formés à l'utilisation sûre et correcte de l'appareil.

Cet appareil ne doit pas être utilisé par des enfants ou des personnes avec des capacités physiques, sensorielles ou mentales diminuées. Assurez-vous que les enfants sont bien surveillés et tenez-les à l'écart de l'appareil.

Hatco Corporation n'est pas responsable de la température réelle à laquelle les aliments sont servis. Il est de la responsabilité de l'utilisateur de s'assurer que les produits alimentaires sont maintenus et servis à une température sans danger.

Cet appareil ne contient aucune pièce réparable par l'utilisateur. Si cet appareil doit être réparé, contacter un réparateur Hatco agréé ou le Service après-vente Hatco au 800-558-0607 ou 414-671-6350.

⚠ ATTENTION

DANGER DE BRÛLURE : Certaines surfaces extérieures de l'appareil deviennent chaudes. Toucher ces zones de l'appareil avec précaution.

Les huiles de fabrication standard et approuvées pourront fumer pendant 30 minutes après l'allumage initial. C'est un problème temporaire. Utilisez l'appareil à vide jusqu'à dissipation de la fumée.

Assurez-vous que le fonctionnement est sûr et adapté. Référez-vous aux « Exigences du lieu d'installation » décrites dans la section Installation de ce manuel.

AVIS

Ne touchez pas les ampoules de lampe chauffante halogène à mains nues. Utilisez des gants, un chiffon ou du papier absorbant lorsque vous manipulez les ampoules halogène. L'huile présente sur la peau réduit la durée de vie et l'efficacité des ampoules.

Les dommages à toute partie du comptoir pouvant être causés par la chaleur générée par l'équipement de Hatco ne sont pas couverts par la garantie de Hatco. Contactez le fabricant du comptoir pour obtenir des renseignements.

L'installation de deux appareils ou plus avec moins de 76 mm (3") entre les boîtiers peut entraîner une défaillance prématurée des composants. Le non-respect des distances appropriées peut entraîner un dommage thermique sur les composants électriques.

AVIS

Installez le boîtier de commande monté à distance hors des zones soumises à des températures supérieures à 29°C (85°F). Des températures excessives entraîneront une surchauffe, un dysfonctionnement et une défaillance d'une ou de plusieurs commandes.

Utilisez uniquement des nettoyeurs non abrasifs et des chiffons doux. Les chiffons et nettoyeur abrasifs pourraient rayer la finition de l'unité, altérant son apparence et la rendant vulnérable à l'accumulation de saleté. Utilisation de matériaux abrasifs annulera la garantie.

Cette unité est réservée à un usage professionnel uniquement — elle n'est PAS dédiée à un usage personnel.

DESCRIPTION DU MODÈLE

Tous les Modèles

Toutes les rampes chauffantes étroites halogène Glo-Ray® se composent d'un boîtier en acier étroit, idéal pour l'installation dans des espaces réduits. Chacune est équipée de lampes chauffantes halogène qui fournissent une chaleur homogène ainsi qu'un éclairage d'étagère lumineux. Les commandes sont logées dans un boîtier de commande monté à distance. Les options de finition incluent l'acier inoxydable ou différentes couleurs peintes par poudrage, et finitions brillantes.

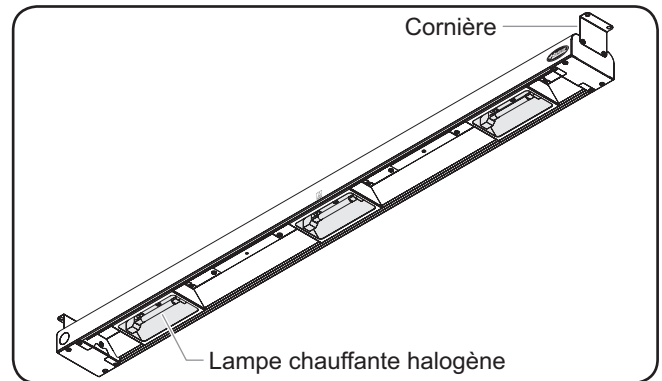
Les rampes chauffantes étroites halogène sont fournies avec des cornières pour le montage sous une étagère. Les supports tubulaires optionnels non réglables sont disponibles pour le montage sur comptoir (référez-vous à la section Options et accessoires pour obtenir de plus amples renseignements).

Modèles GRN4

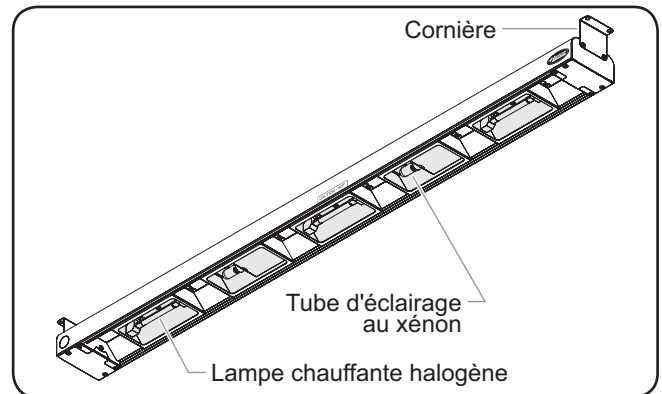
Les modèles GRN4 sont disponibles en différentes largeurs, de 457 à 1829 mm (18" à 72"). Ils sont équipés de lampes chauffantes halogène uniquement. Les commandes sont composées d'un interrupteur ON/OFF (marche/arrêt) du HEAT (chauffage) et d'un bouton de HEAT (chauffage).

Modèles GRN4L

Les modèles GRN4L sont disponibles en différentes largeurs, de 610 à 1829 mm (24" à 72"). Ils sont équipés de lampes chauffantes halogène et de lampes d'étagère au xénon. Les lampes d'étagère au xénon assurent un éclairage supplémentaire lorsque les lampes chauffantes halogène sont coupées ou sont réglées sur un niveau de chauffage bas. Les commandes sont composées d'un interrupteur ON/OFF (marche/arrêt) du HEAT (chauffage), d'un bouton de HEAT (chauffage) et d'un interrupteur ON/OFF (marche/arrêt) des LIGHTS (lumières).

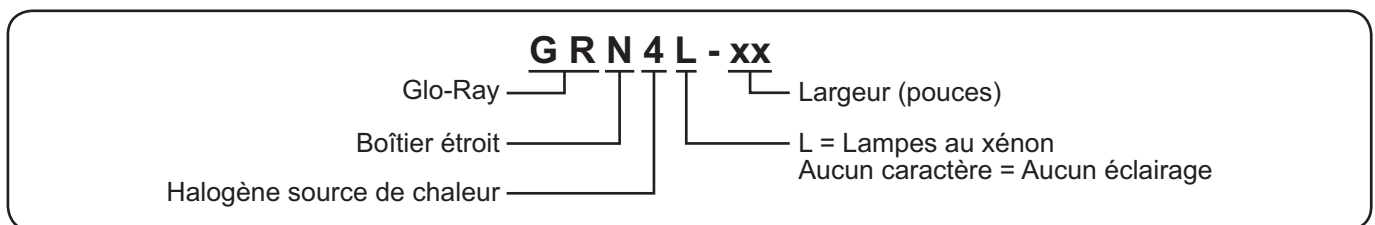


Modèle GRN4



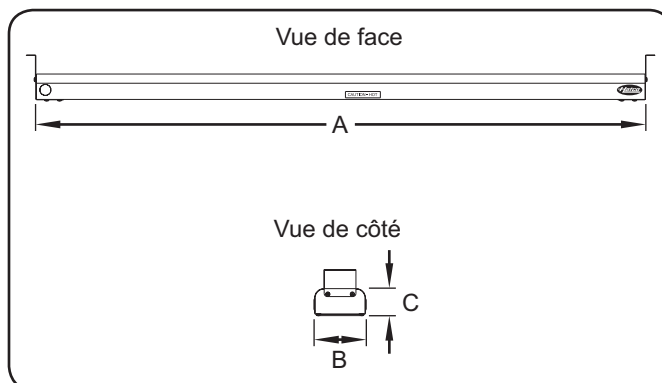
Modèle GRN4L

DÉSIGNATION DU MODÈLE



Dimensions — Rampe Chauffante

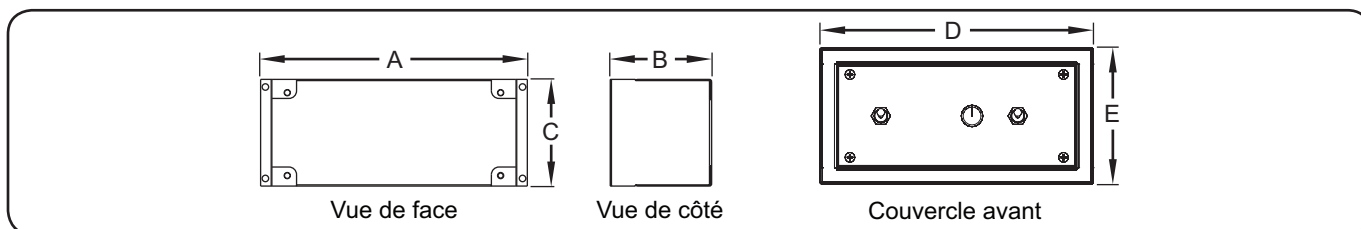
Modèle	Largeur (A)	Profondeur (B)	Hauteur (C)
GRN4	457-1829 mm (18-72")	102 mm (4")	54 mm (2-1/8")
GRN4L	610-1829 mm (24-72")	102 mm (4")	54 mm (2-1/8")



Dimensions de la rampe chauffante

Dimensions — Boîtier de commande

	Largeur (A)	Profondeur (B)	Hauteur (C)	Largeur du couvercle (D)	Hauteur du couvercle (E)
Boîtier de commande	222 mm (8-3/4")	85 mm (3-3/8")	89 mm (3-1/2")	227 mm (9")	114 mm (4-1/2")



Dimensions du boîtier de commande

Tableau des valeurs nominales électriques — Modèles GRN4

Modèle	Tension	Intensité	Amps	Nb d'ampoules halogène	Poids d'embarquement
GRN4-18	120	400	3.3	2	4 Kg (10 lbs.)
GRN4-24	120	400	3.3	2	4 Kg (11 lbs.)
GRN4-30	120	400	3.3	2	5 Kg (12 lbs.)
GRN4-36	120	600	5.0	3	5 Kg (13 lbs.)
GRN4-42	120	600	5.0	3	5 Kg (14 lbs.)
GRN4-48	120	600	5.0	3	5 Kg (15 lbs.)
GRN4-54	120	800	6.7	4	7 Kg (17 lbs.)
GRN4-60	120	800	6.7	4	7 Kg (18 lbs.)
GRN4-66	120	1000	8.3	5	8 Kg (19 lbs.)
GRN4-72	120	1000	8.3	5	8 Kg (20 lbs.)

NOTA: Étiquette de caractéristiques techniques située sur le côté de l'appareil. Consultez l'étiquette pour connaître le numéro de série et vérifier les caractéristiques électriques de l'appareil.

Tableau des valeurs nominales électriques — Modèles GRN4L

Modèle	Tension	Intensité	Amps	Nb d'ampoules halogène	N° ampoules au xénon	Poids d'embarquement
GRN4L-24	120	450	3.8	2	1	4 Kg (8 lbs.)
GRN4L-30	120	450	3.8	2	1	5 Kg (10 lbs.)
GRN4L-36	120	700	5.8	3	2	6 Kg (13 lbs.)
GRN4L-42	120	700	5.8	3	2	6 Kg (14 lbs.)
GRN4L-48	120	700	5.8	3	2	6 Kg (14 lbs.)
GRN4L-54	120	950	7.9	4	3	8 Kg (17 lbs.)
GRN4L-60	120	950	7.9	4	3	8 Kg (18 lbs.)
GRN4L-66	120	1200	10.0	5	4	10 Kg (21 lbs.)
GRN4L-72	120	1200	10.0	5	4	10 Kg (21 lbs.)

NOTA: Étiquette de caractéristiques techniques située sur le côté de l'appareil. Consultez l'étiquette pour connaître le numéro de série et vérifier les caractéristiques électriques de l'appareil.

INSTALLATION

Généralités

Utilisez les informations contenues dans cette section pour préparer l'installation de la rampe chauffante. Assurez-vous de repérer les informations spécifiques à votre modèle de rampe chauffante et à votre type d'installation.

⚠ AVERTISSEMENT

DANGER DE DÉCHARGE ÉLECTRIQUE :

- L'appareil doit être installé par un électricien qualifié. L'installation doit être conforme à l'ensemble des réglementations électriques locales. Une installation par un personnel non qualifié provoquera une annulation de la garantie de l'appareil. Cela peut également entraîner un choc électrique ou une brûlure et endommager l'unité et/ou les zones environnantes.
- Consultez un électricien agréé pour l'accomplissement d'une installation électrique appropriée conformément aux réglementations nationales (National Electrical Code) et locales relatives à l'électricité.
- L'appareil n'est pas à l'épreuve des intempéries. Placer l'appareil à l'intérieur à une température ambiante de 21°C (70°F) minimum.

DANGER D'INCENDIE : Positionnez l'appareil à bonne distance des murs et matériaux combustibles. Si ces distances de sécurité ne sont pas respectées, une décoloration ou une combustion peut se produire. Reportez-vous aux informations spécifiques d'installation et de montage de ce manuel pour connaître les dégagements adéquats.

1. Retirer l'appareil de sa boîte.
2. Retirer le ruban et le film de protection de toutes les surfaces de l'appareil.

NOTA: Pour éviter des retards dans l'obtention de la couverture de la garantie, complétez l'enregistrement en ligne de votre garantie. Lisez la section INFORMATIONS IMPORTANTES POUR LE PROPRIÉTAIRE pour plus de détails.

3. Installez l'unité à l'emplacement souhaité. Référez-vous à la procédure « Installation de l'appareil » de la présente section.

- Placez l'unité dans une zone dont la température ambiante est constante 21°C minimum (70°F). Évitez les endroits susceptibles d'activer les mouvements ou les courants d'air (proximité des ventilateurs ou hottes d'évacuation et conduites de climatisation).
- Assurez-vous que l'appareil est installé avec les autorisations appropriées des surfaces adjacentes.

⚠ AVERTISSEMENT

DANGER DE DÉCHARGE ÉLECTRIQUE : Assurez-vous de suivre les informations d'installation présentées ci-dessous concernant les rampes chauffantes halogène. Si ces distances de sécurité ne sont pas respectées, une décoloration ou une combustion peut se produire.

- a. N'installez pas de rampe chauffante halogène à une distance inférieure à 254 mm (10") au-dessus des surfaces combustibles.
 - b. N'installez pas de rampe chauffante halogène à moins de 178 mm (7") au-dessus des surfaces non combustibles.
 - c. Installez toutes les rampes chauffantes halogène à une distance minimale de 51 mm (2") par rapport aux murs ou surfaces adjacentes.
4. Installez le boîtier de commande à l'endroit voulu. Référez-vous à la procédure « Installation du boîtier de commande » de la présente section.

Exigences du lieu d'installation

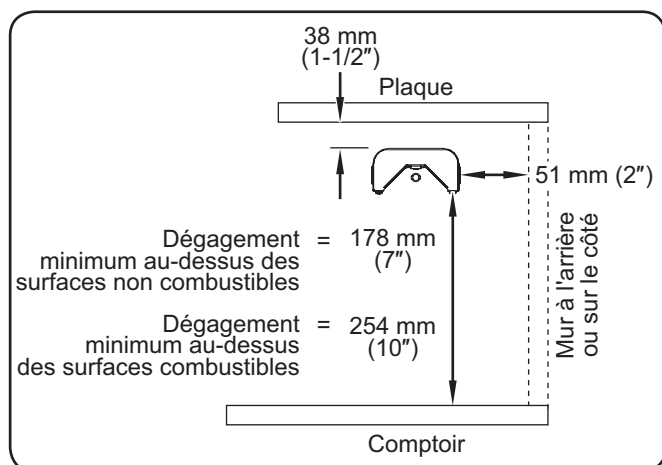
Le lieu d'installation doit satisfaire aux exigences spécifiques concernant l'installation sécurisée et correcte de l'appareil.

- Assurez-vous que le matériau du comptoir est conçu pour résister à de longues périodes de températures de maintien de la chaleur des aliments. Contactez le fabricant du comptoir pour obtenir des informations concernant ce problème.
- Assurez-vous que le lieu d'installation respecte les dégagements minimum corrects pour les surfaces adjacentes. Les dégagements minimum requis sont les suivants :

Au-dessus de l'appareil = 38 mm (1-1/2")

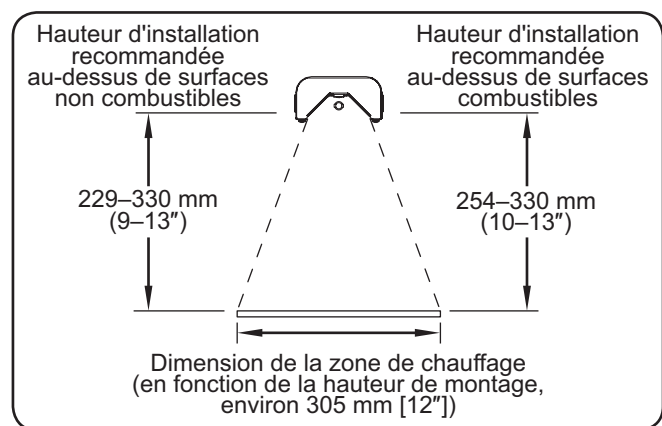
Sur les côtés de l'appareil = 51 mm (2")

En dessous de l'appareil = 178 mm (7"), au-dessus des surfaces non combustibles.
254 mm (10"), au-dessus des surfaces combustibles.



Dégagements minimum

NOTA: Les rampes chauffantes halogène peuvent être installées au-dessus d'une table à vapeur. Respectez les exigences en matière de dégagements pour l'installation sur une surface non combustible.



Hauteurs d'installation recommandées

Installer l'appareil

Appliquez la procédure suivante pour installer l'appareil en utilisant les cornières fournies. Référez-vous à la section « Options et accessoires » à la fin de ce manuel pour d'autres options d'installation.

NOTA: Contactez le fabricant du matériau du comptoir pour obtenir des informations concernant cette application et les limites de température de la surface avant d'installer l'appareil.

NOTICE

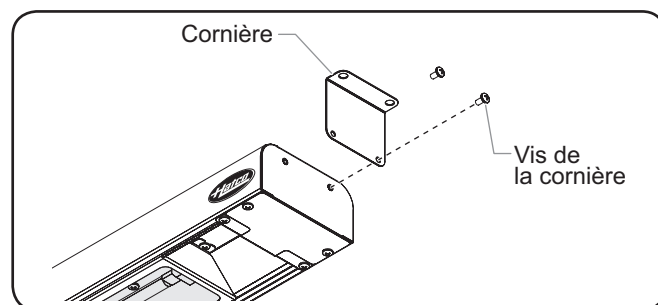
Les dommages à toute partie du comptoir pouvant être causés par la chaleur générée par l'équipement de Hatco ne sont pas couverts par la garantie de Hatco. Contactez le fabricant du comptoir pour obtenir des renseignements.

- Placez l'appareil sur une surface plane en positionnant les lampes halogène vers le bas.
- Installez les cornières sur chaque extrémité de l'appareil.

NOTA: Les cornières sont expédiées en vrac dans le carton.

Sur chaque extrémité de l'appareil :

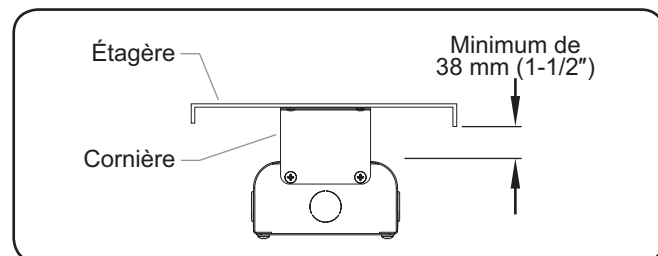
- Retirez les deux vis de la cornière.
- Alignez la cornière avec les orifices de montage sur l'appareil. Fixez le support à l'aide des deux vis de la cornière.



Installation de la cornière

NOTA: Les cornières respectent le dégagement minimum requis de 38 mm (1-1/2") au-dessus de l'appareil.

- Fixez la cornière sous l'étagère en utilisant les fixations adaptées (non fournies par Hatco). Assurez-vous que l'appareil est tourné dans la direction souhaitée avec les fils conducteurs sur le bon côté avant de fixer l'appareil à l'étagère.



Installation de l'étagère

- Faites passer les fils conducteurs dans l'installation pour raccorder le boîtier de commande.

Installer le boîtier de commande

Appliquez la procédure suivante pour installer le boîtier de commande.

NOTA: Les appareils peuvent être commandés avec des fils conducteurs pouvant mesurer jusqu'à 3 m (10'), en fonction du lieu d'installation du boîtier de commande.

⚠ AVERTISSEMENT

Le boîtier de commande doit être installé sur une surface verticale. L'installation du boîtier de commande sur une surface horizontale peut entraîner une accumulation de liquides et un risque d'électrocution.

NOTICE

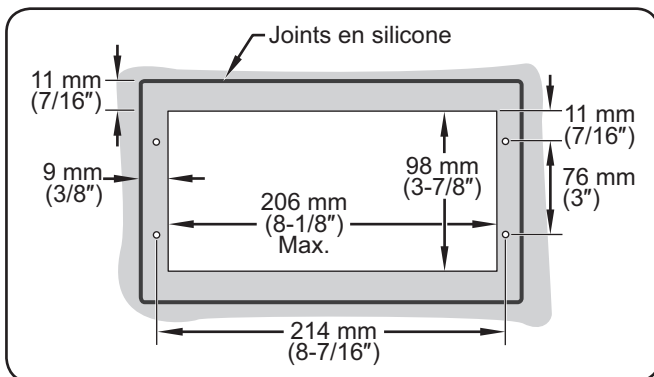
Installez le boîtier de commande monté à distance hors des zones soumises à des températures supérieures à 29°C (85°F). Des températures excessives entraîneront une surchauffe, un dysfonctionnement et une défaillance d'une ou de plusieurs commandes.

REMARQUE IMPORTANTE :

les boîtiers de commande montés à distance doivent être installés dans un endroit froid et sec aussi loin que possible de toute zone de chaleur. Ne montez pas les boîtiers de commande directement sur, en dessous ou au-dessus de l'appareil. Ne montez pas les boîtiers de commande directement en contact avec une surface chauffée ou près d'un équipement générant de la vapeur.

1. Procédez à la découpe appropriée dans la surface verticale là où sera installé le boîtier de commande. Veuillez vous référer à l'illustration ci-dessous pour connaître les dimensions de découpe.

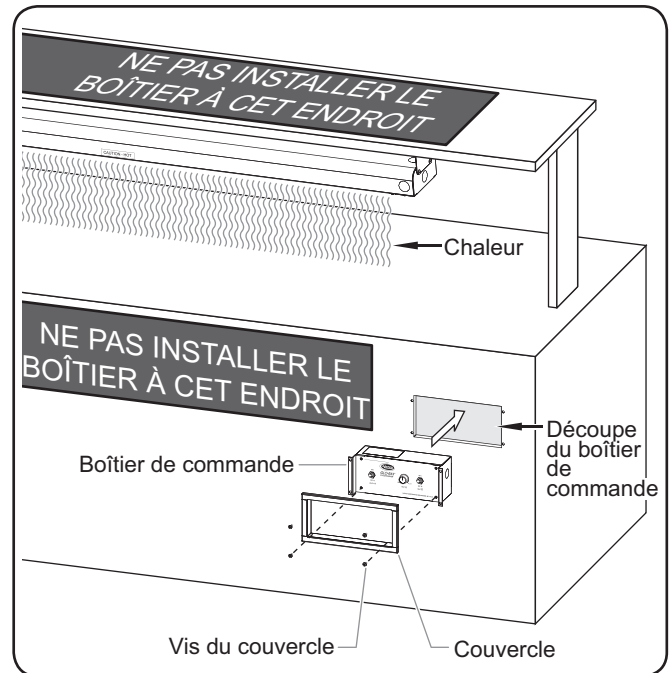
NOTA: Assurez-vous qu'il existe une profondeur minimale de 133 mm (5-1/4") derrière la surface verticale car il s'agit de la profondeur du boîtier de commande et des câbles.



Dimensions de la découpe du boîtier de commandes et du pas de vis

NOTA: Assurez-vous que la largeur de découpe du boîtier de commande n'excède pas la dimension ci-dessus.

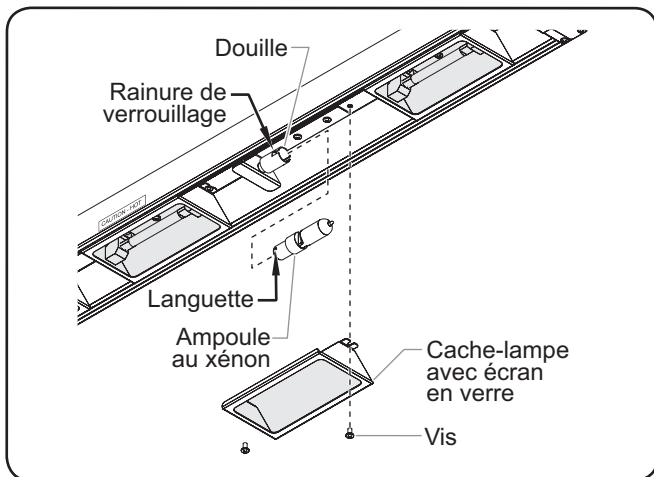
2. Terminez l'acheminement des fils conducteurs de l'appareil jusqu'à rencontrer les fils conducteurs sur le boîtier de commande.
3. Faites passer les fils conducteurs du bloc d'alimentation jusqu'à rencontrer les fils conducteurs sur le boîtier de commande.
4. Retirez les quatre vis du couvercle du boîtier de commandes et retirez le couvercle.
5. Effectuez les raccordements électriques entre l'appareil et le boîtier de commande. Veuillez consulter le diagramme de câblage fourni avec l'appareil.
6. Effectuez les raccordements électriques entre le boîtier de commandes et le bloc d'alimentation. Veuillez consulter le diagramme de câblage fourni avec l'appareil.
7. Installez le boîtier de commandes dans la découpe. Assurez-vous que le câblage au dos du boîtier de commandes ne se coince pas pendant l'installation.
8. Fixez le boîtier de commandes sur la surface verticale à l'aide de quatre vis (non fournies).
9. Appliquez un point de joint en silicone approuvé par la NSF de 6 mm (1/4") là où le couvercle à découper sera en contact avec la surface de l'armoire. Référez-vous à l'illustration « Découpe du boîtier de commandes et dimensions du trou des vis » pour obtenir plus d'informations.
10. Réinstallez le couvercle sur le boîtier de commandes et fixez-le à l'aide des quatre vis.



Installer le boîtier de commande

Généralités

Suivez les informations suivantes pour faire fonctionner une rampe chauffante étroite halogène Glo-Ray®.



Lire tous les messages de sécurité de la section Consignes de sécurité importantes avant d'utiliser ce matériel.



Les huiles de fabrication standard et approuvées pourront fumer pendant 30 minutes après l'allumage initial. C'est un problème temporaire. Utilisez l'appareil à vide jusqu'à dissipation de la fumée.

Allumage

1. Placez l'interrupteur ON/OFF (marche/arrêt) du HEAT (chauffage) sur la position ON (marche). Les lampes chauffantes halogène s'allument.
2. Tournez le bouton de HEAT (chauffage) pour sélectionner la température souhaitée.
3. Pour les modèles GRN4L, mettez l'interrupteur ON/OFF (marche/arrêt) des LIGHTS (lumières) sur la position ON (marche). Les lampes d'étalage au xénon s'allument.

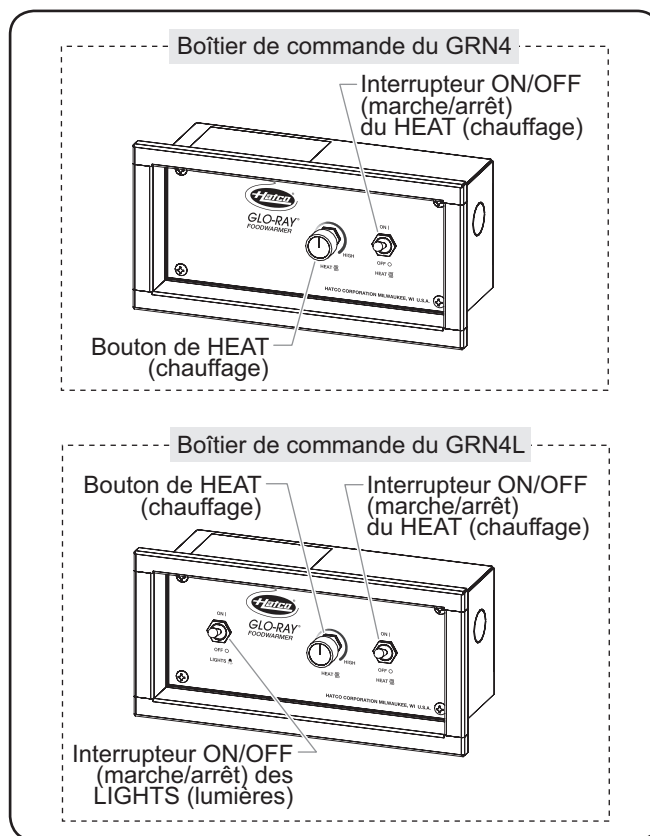


DANGER DE BRÛLURE : Certaines surfaces extérieures de l'appareil deviennent chaudes. Toucher ces zones de l'appareil avec précaution.

4. Patientez 30 minutes afin d'atteindre une température de fonctionnement convenable.

Arrêt

1. Placez l'interrupteur ON/OFF (marche/arrêt) du HEAT (chauffage) sur la position OFF (arrêt).
2. Pour les modèles GRN4L, mettez l'interrupteur ON/OFF (marche/arrêt) des LIGHTS (lumières) sur la position OFF (arrêt).



Boîtiers de commande du GRN4 et du GRN4L

Généralités

Les rampes chauffantes étroites halogène Glo-Ray® sont conçues pour une durabilité et des performances maximum, avec un entretien minimum.

⚠ AVERTISSEMENT

DANGER DE DÉCHARGE ÉLECTRIQUE :

- Mettre hors tension en utilisant l'interrupteur, débranchez le cordon d'alimentation et laissez l'unité refroidir avant d'effectuer tout nettoyage, tout réglage ou tout entretien.
- **NE PAS immerger l'appareil ni le saturer d'eau. L'appareil n'est pas étanche à l'eau. Ne pas le faire fonctionner s'il a été immergé ou saturé d'eau.**
- Ne pas nettoyer à la vapeur ni utiliser trop d'eau sur l'appareil.
- Cet appareil n'est pas étanche aux jets. Ne pas utiliser de jet sous pression pour nettoyer l'appareil.
- Ne pas nettoyer l'appareil tant qu'il est branché ou chaud.
- Pour les réparations, utiliser exclusivement des pièces de rechange Hatco d'origine. Utilisez des pièces détachées Hatco authentiques sous peine d'annuler toutes les garanties et d'exposer l'utilisateur à des tensions électriques dangereuses pouvant entraîner une électrocution ou des brûlures. Les pièces de rechange Hatco d'origine sont conçues pour fonctionner sans danger dans les environnements dans lesquels elles sont utilisées. Certaines pièces de rechange génériques ou de second marché ne présentent pas les caractéristiques leur permettant de fonctionner sans danger dans la matériel Hatco.

Cet appareil ne contient aucune pièce réparable par l'utilisateur. Si cet appareil doit être réparé, contacter un réparateur Hatco agréé ou le Service après-vente Hatco au 800-558-0607 ou 414-671-6350.

Nettoyage quotidien

Pour préserver la finition de l'appareil et maintenir la performance, il est recommandé de nettoyer tous les jours l'appareil.

AVIS

Utilisez uniquement des nettoyeurs non abrasifs et des chiffons doux. Les chiffons et nettoyeur abrasifs pourraient rayer la finition de l'unité, altérant son apparence et la rendant vulnérable à l'accumulation de saleté. Utilisation de matériaux abrasifs annulera la garantie.

1. Mettre l'appareil hors tension et laisser refroidir l'appareil.
2. Nettoyez toutes les surfaces métalliques à l'aide d'un chiffon humide non-abrasif. Les tâches persistantes pourront être retirées à l'aide d'un détergent efficace et non-abrasif. Nettoyez les zones difficiles d'accès à l'aide d'une petite brosse et de savon doux.
3. Essuyez l'intégralité de l'appareil à l'aide d'un chiffon sec non-abrasif.
4. Nettoyez les écrans en verre à l'aide d'un nettoyeur pour vitres standard. Vaporisez du nettoyeur pour vitres sur du papier absorbant, puis essuyez le verre avec ce dernier. Ne vaporisez pas directement sur le verre.

Remplacer une ampoule de lampe chauffante

Appliquez la procédure suivante pour remplacer une ampoule de lampe chauffante halogène. Utilisez le produit Hatco réf. R02.30.170.00 pour remplacer une lampe chauffante halogène.

NOTA: Les lampes chauffantes fournies par Hatco sont spécialement conçues à cette fin. L'utilisation de lampes chauffantes non fournies par Hatco annulera la garantie de l'appareil.

⚠ AVERTISSEMENT

N'utilisez que des ampoules électriques qui correspondent ou qui surpassent les normes de la Fondation Nationale des Affaires Sanitaires (NSF) et qui sont spécifiquement conçues pour les espaces de conservation des aliments. Les bris d'une ampoule électrique non-opalisée peuvent provoquer des dommages corporels et/ou une contamination des aliments.

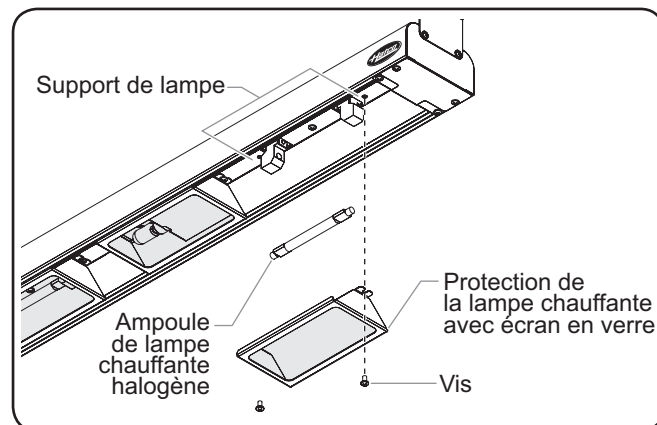
1. Mettez l'appareil hors tension, débranchez l'alimentation électrique puis laissez refroidir l'appareil.
2. En plaçant une main sous la protection de la lampe chauffante, utilisez un tournevis pour retirer les deux vis qui maintiennent la protection de la lampe chauffante.

NOTA: L'écran en verre sous la protection de la lampe chauffante est desserré et tombera avec la protection de la lampe chauffante. Veillez à soutenir la protection de la lampe chauffante d'une main durant le retrait des vis.

AVIS

Ne touchez pas les ampoules de lampe chauffante halogène à mains nues. Utilisez des gants, un chiffon ou du papier absorbant lorsque vous manipulez les ampoules halogène. L'huile présente sur la peau réduit la durée de vie et l'efficacité des ampoules.

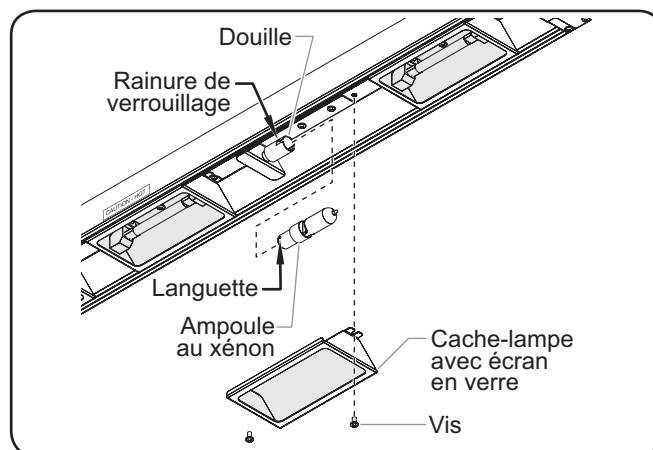
3. Retirez l'ampoule de lampe chauffante usagée de son support. Les ampoules sont maintenues en place à l'aide de contacts en acier à ressort de chaque côté du support de lampe. Pour retirer une ampoule :
 - a. Saisissez l'ampoule usagée et poussez dessus avec précaution en direction de l'un des contacts en acier à ressort du support afin de la libérer du contact opposé.
 - b. Tirez le côté libre de la lampe vers le bas et retirez l'ampoule de son support.



Remplacer une lampe chauffante

suite...

4. Tout en portant des gants ou en utilisant une autre protection, mettez en place la nouvelle ampoule dans le support de lampe.
 - a. Saisissez la nouvelle ampoule et poussez-en un côté avec précaution en direction du contact en acier à ressort de l'un des côtés du support de lampe.
 - b. Soulevez l'autre côté de l'ampoule pour le mettre en place contre le contact en acier à ressort sur le côté opposé du support de lampe (la pression opposée des contacts en acier à ressort maintiendra l'ampoule fermement en place dans le support de lampe).
5. Positionnez la protection de la lampe chauffante dotée de l'écran en verre au-dessus de l'ampoule de lampe chauffante halogène et fixez-le à l'aide de deux vis.



Remplacer un tube d'éclairage

Remplacer une ampoule de lampe d'étalage (modèles GRN4L)

Les modèles GRN4L sont équipés de lampes d'étalage au xénon qui contribuent à l'éclairage de la zone chauffante. Utilisez une ampoule Hatco réf. R02.30.171.00 pour remplacer une ampoule au xénon.

NOTA: Les ampoules fournies par Hatco sont spécialement conçues à cette fin. Utiliser des ampoules non fournies par Hatco annulera la garantie de l'appareil.

AVERTISSEMENT

N'utilisez que des ampoules électriques qui correspondent ou qui surpassent les normes de la Fondation Nationale des Affaires Sanitaires (NSF) et qui sont spécifiquement conçues pour les espaces de conservation des aliments. Les bris d'une ampoule électrique non-opalisée peuvent provoquer des dommages corporels et/ou une contamination des aliments.

Appliquez la procédure suivante pour remplacer une ampoule au xénon.

1. Mettez l'appareil hors tension, débranchez l'alimentation électrique puis laissez refroidir l'appareil.
2. En plaçant une main sous le cache-lampe, utilisez un tournevis pour retirer les deux vis qui maintiennent le cache-lampe en position.

NOTA: L'écran en verre sous le cache-lampe est desserré et tombera avec le cache-lampe. Veillez à soutenir le cache-lampe d'une main durant le retrait des vis.

3. Enlevez l'ampoule usagée de la lampe de vitrine de la douille.
 - a. Faites tourner l'ampoule dans la douille jusqu'à ce que les languettes de l'ampoule soient en dehors des rainures de verrouillage de la douille.
 - b. Enlevez l'ampoule de la douille.
4. Installez une nouvelle ampoule au xénon pour lampe de vitrine dans la douille.
 - a. Poussez l'ampoule dans la douille jusqu'à ce que les stries de l'ampoule s'alignent sur le dispositif de verrouillage de la douille.
 - b. Faites tourner l'ampoule de sorte que les stries de l'ampoule s'insèrent dans le dispositif de verrouillage de la douille.
5. Positionnez le cache-lampe doté de l'écran en verre au-dessus de l'ampoule au xénon pour lampe de vitrine et fixez-le à l'aide de deux vis.

⚠ AVERTISSEMENT

La réparation de cet appareil doit être confiée exclusivement à du personnel qualifié. Les réparations par des personnes non qualifiées peuvent provoquer des décharges électriques et des brûlures.

⚠ AVERTISSEMENT

DANGER DE DÉCHARGE ÉLECTRIQUE: Mettez l'unité hors tension depuis l'interrupteur, débranchez le cordon d'alimentation et laissez l'unité refroidir avant d'effectuer tout nettoyage, tout réglage ou tout entretien.

Symptôme	Cause Probable	Solution
L'appareil est sur ON mais aucune chaleur n'est produite.	Le disjoncteur s'est déclenché.	Vérifiez le disjoncteur et redémarrez si nécessaire.
	L'ampoule de lampe chauffante et/ou l'ampoule d'éclairage ont grillé.	Remplacez la ou les ampoules. Veuillez vous référer aux procédures de remplacement dans la partie MAINTENANCE de ce manuel.
	L'interrupteur est défectueux.	Contactez votre agent de maintenance agréé ou Hatco.
	La tension d'alimentation à l'appareil est incorrecte.	Vérifiez que la tension de l'alimentation correspond aux caractéristiques électriques indiquées sur l'appareil.
	Défaillance électrique interne.	Contactez votre agent de maintenance agréé ou Hatco.
Appareil pas assez chaud.	Le bouton de HEAT (chauffage) est réglé à un niveau trop bas.	Augmentez le niveau de réglage du bouton de HEAT (chauffage).
	L'appareil est monté trop haut par rapport à la zone cible.	Baissez l'appareil, permettant de cibler plus efficacement la chaleur.
	Il y a un mouvement d'air excessif autour de l'appareil.	Restreignez ou redirigez le mouvement de l'air (conduit d'air conditionné ou ventilateur) à distance de l'appareil.
	L'alimentation électrique est incorrecte (basse).	Vérifiez l'alimentation électrique de l'appareil, assurez-vous qu'il corresponde aux valeurs sur l'appareil. Si l'alimentation électrique est incorrecte, changez pour correspondre aux valeurs sur l'appareil.
Appareil trop chaud.	Le bouton de HEAT (chauffage) est réglé à un niveau trop élevé.	Baissez le niveau de réglage du bouton de HEAT (chauffage).
	L'appareil est monté trop près de la zone cible.	Vérifiez pour vérifier que l'installation est conforme aux spécifications pour le type/modèle Augmentez la hauteur du montage s'il est trop proche.
	L'alimentation électrique est incorrecte (élevée).	Vérifiez l'alimentation électrique de l'appareil, assurez-vous qu'il corresponde aux valeurs sur l'appareil. Si l'alimentation électrique est incorrecte, changez pour correspondre aux valeurs sur l'appareil.
	Le bouton de réglage de la température est défectueux.	Contactez votre agent de maintenance agréé ou Hatco.

Vous avez des questions en ce qui concerne les pannes ?

Si le problème persiste, veuillez contacter l'agence d'entretien agréée Hatco la plus proche ou Hatco pour obtenir une assistance. Pour trouver l'agence d'entretien la plus proche, rendez-vous sur le site Internet de Hatco (www.hatcocorp.com) et cliquez sur Trouver un agent d'entretien, ou contactez l'équipe d'entretien et de pièces détachées de Hatco :

Numéro de

téléphone: 800-558-0607 ou 414-671-6350

Courriel: partsandservice@hatcocorp.com

Supports tubulaires non réglables

Les pieds tubulaires fixent définitivement l'unité à un comptoir ou une table de service. Tout le câblage peut être dissimulé dans un des pieds tubulaires.

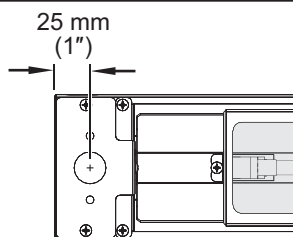


Assurez-vous que le fonctionnement est sûr et adapté. Référez-vous aux « Exigences du lieu d'installation » décrites dans la section Installation de ce manuel.

Des supports tubulaires en aluminium non réglables sont mis à disposition à des hauteurs de 254, 305, 356 et 406 mm (10", 12", 14" et 16").

NOTE: Les supports tubulaires ne peuvent pas être mis à niveau dans la zone.

NOTE: Si le câblage doit être dissimulé, un trou de 25 mm (1") de diamètre doit être réalisé dans la surface de montage et centré sous le support contenant les conduits de câblage.



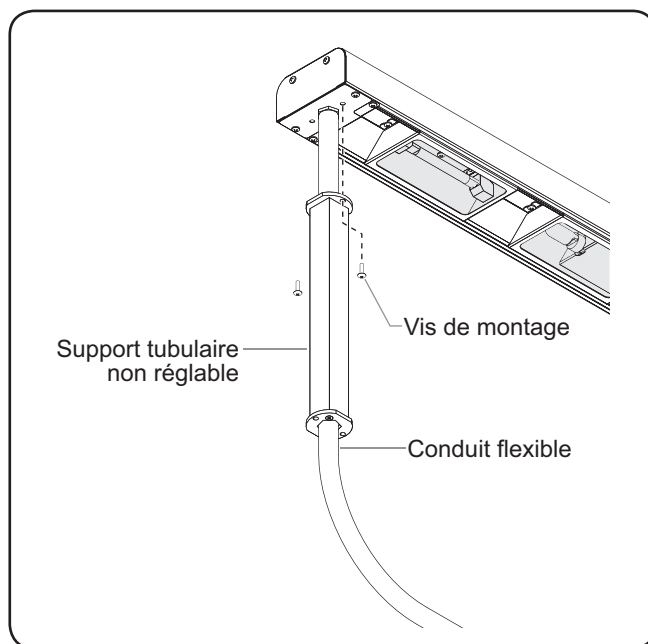
Distance entre l'extrémité de l'unité et le centre de l'orifice du conduit.
Nécessaire pour la découpe d'un orifice de 25 mm (1") de diamètre dans la surface de montage.

Dimensions de l'orifice de conduit du comptoir

1. Positionnez l'unité à l'envers sur une surface plane.

NOTA: Les unités pour cette application sont fournis avec la conduite attachée à un des côtés de l'appareil. La conduite ne doit pas être retirée.

2. Si cela est applicable, faites passer le conduit flexible dans le centre de l'un des supports.
3. Tirez le support côté conduit contre l'appareil et fixez le support à l'appareil à l'aide des vis fournies. Alignez le support du côté opposé avec les trous de montage à l'autre extrémité de l'appareil et fixez-le avec les vis fournies.
4. Le cas échéant, faites passer le conduit flexible à travers la découpe d'orifice d'un diamètre de 25 mm (1") dans la surface de montage.
5. Fixez les pieds à la surface de montage.



Montage du support tubulaire

1. GARANTIE DU PRODUIT

Hatco garantit que les produits qu'il fabrique (les « Produits ») sont exempts de défauts de matériel et de fabrication, dans des conditions normales d'utilisation et de maintenance, pour une période d'un (1) an à partir de la date d'achat à condition que l'appareil soit installé et entretenu conformément aux instructions écrites de Hatco ou 18 mois après la date de l'expédition par Hatco. L'acheteur doit prouver la date d'achat du Produit par l'enregistrement de ce dernier auprès de Hatco ou par d'autres moyens satisfaisants pour Hatco, à sa seule discrétion.

Hatco garantit que les composants du Produit suivants sont exempts de défauts de matériel et de fabrication à partir de la date d'achat (sous réserve des conditions précédentes) pour la ou les périodes de temps et en fonction des conditions listées ci-dessous :

- a) **Garantie d'un (1) an pour les pièces et la main-d'œuvre PLUS un (1) an supplémentaire pour les pièces uniquement :**
 Éléments du grille-pain à convoyeur (enveloppe métallique)
 Éléments des tiroirs chauffants (enveloppe métallique)
 Tiroirs, roues et glissières des tiroirs chauffants
 Éléments des rampes chauffantes (enveloppe métallique)
 Éléments des vitrines chauffantes
 (enveloppe métallique, air chauffant)
 Éléments des armoires de stockage
 (enveloppe métallique, air chauffant)
 Éléments des compartiments chauffants —
 série HW et HWB (enveloppe métallique)
- b) **Garantie de deux (2) ans pour les pièces et la main-d'œuvre :**
 Gammes à induction
- c) **Garantie d'un (1) an pour les pièces et la main-d'œuvre PLUS quatre (4) ans pour les pièces uniquement :**
 Cuves 3CS et FR
- d) **Garantie d'un (1) an pour les pièces et la main-d'œuvre PLUS neuf (9) ans pour les pièces uniquement :**
 Cuves des appareils de chauffage d'appoint électriques
 Cuves des appareils de chauffage d'appoint à gaz
- e) **Garantie de quatre-vingt-dix (90) jours pour les pièces uniquement :**
 Pièces de rechange

LES GARANTIES PRÉCÉDENTES SONT EXCLUSIVES ET REMPLACENT TOUTES AUTRES GARANTIES, EXPRESSES OU IMPLICITES, COMPRENANT, MAIS NE SE LIMITANT PAS, À TOUTES GARANTIES IMPLICITES DE QUALITÉ MARCHANDE OU DE FINALITÉ PARTICULIÈRE OU TOUS BREVETS OU TOUTES AUTRES ATTEINTES AUX DROITS DE LA PROPRIÉTÉ INTELLECTUELLE. Sans restreindre la portée générale des énoncés précédents, CES GARANTIES NE COUVRENT PAS LES ÉLÉMENTS SUIVANTS : ampoules d'éclairage à incandescence enduites, lumières fluorescentes, ampoules de lampes chauffantes, ampoules d'éclairage à halogène enduites, ampoules de lampes chauffantes au xénon, tubes d'éclairage DEL, composants en verre et fusibles ; défaut de produit dans la cuve d'un appareil de chauffage d'appoint, dans un échangeur de chaleur à tubes à ailettes ou tout autre équipement de chauffage d'eau causé par la calcification, l'accumulation de sédiments, la réaction d'un produit chimique ou le gel ; ou une mauvaise utilisation, une manipulation ou une mauvaise application, une installation inappropriée du Produit ou l'utilisation d'une tension inappropriée.

2. LIMITES DES RECOURS ET DES DOMMAGES

La responsabilité de Hatco et la seule voie de recours de l'Acheteur prévues par les présentes seront limitées exclusivement, au gré de Hatco, à la réparation ou au remplacement à l'aide de pièces ou de Produits nouveaux ou remis à neuf par Hatco ou un centre de réparation agréé par Hatco (sauf si l'Acheteur se situe hors des États-Unis, du Canada, du Royaume-Uni ou de l'Australie, auquel cas la responsabilité de Hatco et la seule voie de recours de l'Acheteur seront limitées exclusivement au remplacement des pièces concernées par la garantie) à l'égard de toute revendication effectuée dans les délais de garantie applicables mentionnés ci-dessus. Hatco se réserve le droit d'accepter ou de rejeter toute réclamation en partie ou dans son intégralité. Dans le cadre de cette Garantie limitée, « remis à neuf » signifie une pièce ou un Produit dont les caractéristiques techniques d'origine ont été restaurées par Hatco ou un centre de réparation agréé par Hatco. Hatco n'acceptera aucun retour de Produits sans qu'il n'ait auparavant donné son accord écrit, et tous ces retours approuvés doivent être effectués aux seuls frais de l'Acheteur. HATCO NE SERA PAS TENU RESPONSABLE, DANS AUCUNE CIRCONSTANCE, DES DOMMAGES CONSÉCUTIFS OU INDIRECTS, COMPRENANT, MAIS NE SE LIMITANT PAS, AUX COÛTS DE MAIN-D'ŒUVRE OU PERTES DE PROFITS DUS À UNE UTILISATION OU À UNE IMPOSSIBILITÉ D'UTILISER LES PRODUITS OU DUS AU FAIT QUE LES PRODUITS ONT ÉTÉ INTÉGRÉS DANS OU QU'ILS SONT DEVENUS UN COMPOSANT DE TOUT AUTRE PRODUIT OU BIEN.

AUTHORIZED PARTS DISTRIBUTORS • DISTRIBUTEURS DE PIÈCES AUTORISÉS

ALABAMA

Jones McLeod Appl. Svc.
Birmingham 205-251-0159

ARIZONA

Service Solutions Group
Phoenix 602-234-2443

Byassee Equipment Co.
Phoenix 602-252-0402

CALIFORNIA

Industrial Electric
Commercial Parts & Service, Inc.
Huntington Beach 714-379-7100

Chapman Appl. Service
San Diego 619-298-7106

P & D Appliance
Commercial Parts & Service, Inc.
S. San Francisco 650-635-1900

COLORADO

Hawkins Commercial Appliance
Englewood 303-781-5548

FLORIDA

Whaley Foodservice Repair
Jacksonville 904-725-7800

Whaley Foodservice Repair
Orlando 407-757-0851

B.G.S.I.
Pompano Beach 954-971-0456

Comm. Appliance Service
Tampa 813-663-0313

GEORGIA

TWC Services
Mableton 770-438-9797

Heritage Service Group
Norcross 866-388-9837

Southeastern Rest. Svc.
Norcross 770-446-6177

HAWAII

Burney's Comm. Service, Inc.
Honolulu 808-848-1466

Food Equip Parts & Service
Honolulu 808-847-4871

ILLINOIS

Parts Town
Lombard 708-865-7278

Eichenauer Elec. Service
Decatur 217-429-4229

Midwest Elec. Appl. Service
Elmhurst 630-279-8000

Cone's Repair Service
Moline 309-797-5323

INDIANA

GCS Service
Indianapolis 800-727-8710

IOWA

Goodwin Tucker Group
Des Moines 515-262-9308

KENTUCKY

Service Solutions Group
Lexington 859-254-8854

Service Solutions Group
Louisville 502-451-5411

LOUISIANA

Chandlers Parts & Service
Baton Rouge 225-272-6620

MARYLAND

Electric Motor Service
Baltimore 410-467-8080

GCS Service
Silver Spring 301-585-7550

MASSACHUSETTS

Ace Service Co., Inc.
Needham 781-449-4220

MICHIGAN

Bildons Appliance Service
Detroit 248-478-3320

Commercial Kitchen Service
Bay City 989-893-4561

Midwest Food Equip. Service
Grandville 616-261-2000

MINNESOTA

GCS Service
Minnetonka 800-822-2303
x20365

MISSOURI

General Parts
Kansas City 816-421-5400

Commercial Kitchen Services
St. Louis 314-890-0700

Kaemmerlen Parts & Service
St. Louis 314-535-2222

NEBRASKA

Anderson Electric
Omaha 402-341-1414

NEVADA

Burney's Commercial
Las Vegas 702-736-0006

Hi. Tech Commercial Service
N. Las Vegas 702-649-4616

NEW JERSEY

Jay Hill Repair
Fairfield 973-575-9145

Service Plus
Flanders 973-691-6300

NEW YORK

Alpro Service Co.
Maspeth 718-386-2515

Appliance Installation
Buffalo 716-884-7425

Duffy's Equipment Services, Inc.
Buffalo 800-836-1014

3Wire Northern
Plattsburgh 800-634-5005

Duffy's Equipment Services, Inc.
Sauquoit 800-836-1014

J.B. Brady, Inc.
Syracuse 315-422-9271

NORTH CAROLINA

Authorized Appliance
Charlotte 704-377-4501

OHIO

Akron/Canton Comm. Svc. Inc.
Akron 330-753-6634

Service Solutions Group
Cincinnati 513-772-6600

Commercial Parts and Service
Columbus 614-221-0057

Electrical Appl. Repair Service
Brooklyn Heights 216-459-8700

E. A. Wichman Co.
Toledo 419-385-9121

OKLAHOMA

Hagar Rest. Service, Inc.
Oklahoma City 405-235-2184

Krueger, Inc.
Oklahoma City 405-528-8883

OREGON

Ron's Service, Inc.
Portland 503-624-0890

PENNSYLVANIA

Elmer Schultz Services
Philadelphia 215-627-5401

FAST Comm. Appl. Service
Philadelphia 215-288-4800

Appliance Installation & Service
Pittsburgh 412-809-0244

K & D Service Co.
Harrisburg 717-236-9039

Electric Repair Co.
Reading 610-376-5444

RHODE ISLAND

Marshall Electric Co.
Providence 401-331-1163

SOUTH CAROLINA

Whaley Foodservice Repair
Lexington 803-996-9900

TENNESSEE

Camp Electric
Memphis 901-527-7543

TEXAS

GCS Service
Fort Worth 800-433-1804

Armstrong Repair Service
Houston 713-666-7100

Cooking Equipment Specialist
Mesquite 972-686-6666

Commercial Kitchen Repair Co.
San Antonio 210-735-2811

UTAH

La Monica's Rest. Equip. Service
Murray 801-263-3221

VIRGINIA

Daubers
Norfolk 757-855-4097

Daubers
Springfield 703-866-3600

WASHINGTON

3Wire Restaurant Appliance
Seattle 800-207-3146

WISCONSIN

A.S.C., Inc.
Madison 608-246-3160

A.S.C., Inc.
Milwaukee 414-543-6460

CANADA

ALBERTA

Key Food Equipment Service
Edmonton 780-438-1690

BRITISH COLUMBIA

Key Food Equipment Service
Vancouver 604-433-4484

Key Food Equipment Service
Victoria 250-920-4888

MANITOBA

Air Rite, Inc.
Winnipeg 204-895-2300

NEW BRUNSWICK

EMR Services, Ltd.
Moncton 506-855-4228

ONTARIO

R.G. Henderson Ltd.
Toronto 416-422-5580

Choquette - CKS, Inc.
Ottawa 613-739-8458

QUÉBEC

Choquette - CKS, Inc.
Montreal 514-722-2000

Choquette - CKS, Inc.
Québec City 418-681-3944

UNITED KINGDOM

Marren Group
Northants +44(0)1933 665313

HATCO CORPORATION

P.O. Box 340500

Milwaukee, WI 53234-0500 U.S.A.

800-558-0607 414-671-6350

partsandservice@hatcocorp.com

www.hatcocorp.com

Register your unit online!

See IMPORTANT OWNER INFORMATION
section for details.

Enregistrez votre appareil en ligne !

Lisez la section INFORMATIONS IMPORTANTES POUR
LE PROPRIÉTAIRE pour plus d'informations.