



Electric Sauce Warmers

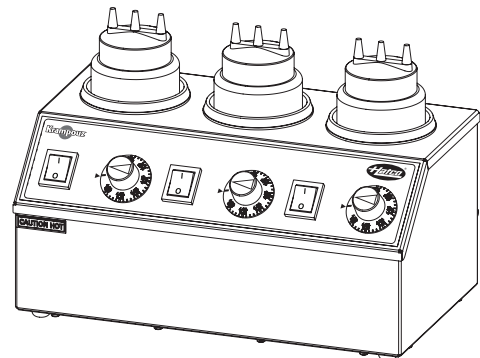
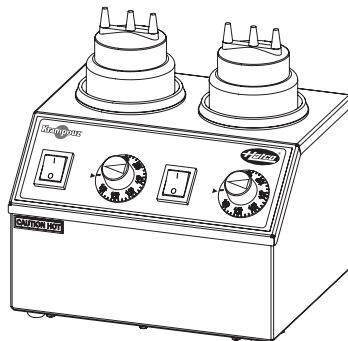
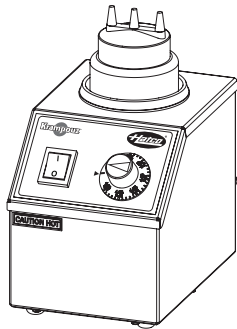
Chauffe-sauces

électriques

KSW Series

Installation and Operating Manual

Manuel d'installation et d'utilisation



⚠ WARNING

Do not operate this equipment unless you have read and understood the contents of this manual! Failure to follow the instructions contained in this manual may result in serious injury or death. This manual contains important safety information concerning the maintenance, use, and operation of this product. If you're unable to understand the contents of this manual, please bring it to the attention of your supervisor. Keep this manual in a safe location for future reference.

English = p 2

⚠ ADVERTENCIA

No opere este equipo al menos que haya leído y comprendido el contenido de este manual! Cualquier falla en el seguimiento de las instrucciones contenidas en este manual puede resultar en un serio lesión o muerte. Este manual contiene importante información sobre seguridad concerniente al mantenimiento, uso y operación de este producto. Si usted no puede entender el contenido de este manual por favor pregunte a su supervisor. Almacenar este manual en una localización segura para la referencia futura.

⚠ AVERTISSEMENT

Ne pas utiliser cet équipement sans avoir lu et compris le contenu de ce manuel ! Le non-respect des instructions contenues dans ce manuel peut entraîner de graves blessures ou la mort. Ce manuel contient des informations importantes concernant l'entretien, l'utilisation et le fonctionnement de ce produit. Si vous ne comprenez pas le contenu de ce manuel, veuillez le signaler à votre supérieur. Conservez ce manuel dans un endroit sûr pour pouvoir vous y référer plus tard.

Français = p 11

| | | | |
|---|----------|--|-------------------|
| Important Owner Information | 2 | Operation | 7 |
| Introduction | 2 | General..... | 7 |
| Important Safety Information | 3 | Control Panel..... | 7 |
| Model Description | 4 | Operating the Unit..... | 7 |
| Model Designation | 4 | Maintenance | 8 |
| Specifications | 5 | General..... | 8 |
| Plug Configurations..... | 5 | Daily Cleaning..... | 8 |
| Electrical Rating Chart..... | 5 | Troubleshooting Guide | 9 |
| Dimensions..... | 5 | Options and Accessories | 9 |
| Installation | 6 | Limited Warranty | 10 |
| General..... | 6 | Authorized Parts Distributors | Back Cover |

IMPORTANT OWNER INFORMATION

Record the model number, serial number, voltage, and purchase date of the unit in the spaces below (specification label located on the back of the unit). Please have this information available when calling Hatco for service assistance.

Model No. _____

Serial No. _____

Voltage _____

Date of Purchase _____

Register your unit!

• Completing online warranty registration will prevent delay in obtaining warranty coverage. Access the Hatco website at www.hatcocorp.com, select the *Support* pull-down menu, and click on "Warranty".

Business Hours: 7:00 AM to 5:00 PM Monday–Friday, Central Time (CT)
(Summer Hours — June to September: 7:00 AM to 5:00 PM Monday–Thursday, 7:00 AM to 4:00 PM Friday)

Telephone: 800-558-0607; 414-671-6350

E-mail: support@hatcocorp.com



24 Hour 7 Day Parts and Service Assistance available in the United States and Canada by calling 800-558-0607.

Additional information can be found by visiting our web site at www.hatcocorp.com.

INTRODUCTION

Sauce Warmers are a convenient, attractive way to keep a variety of sauces and toppings warm and ready for use in commercial kitchens and display cooking locations. The adjustable temperature control(s) enables operators to hold a variety of different sauces and toppings.

Sauce Warmers are products of extensive research and field testing. The materials used were selected for maximum durability, attractive appearance, and optimum performance. Every unit is inspected and tested thoroughly prior to shipment.

This manual provides installation, safety, and operating instructions for Sauce Warmers. Hatco recommends all installation, operating, and safety instructions appearing in this manual be read prior to installation or operation of a unit.

Safety information that appears in this manual is identified by the following signal word panels:



WARNING indicates a hazardous situation which, if not avoided, could result in death or serious injury.



CAUTION indicates a hazardous situation which, if not avoided, could result in minor or moderate injury.



NOTICE is used to address practices not related to personal injury.



Read the following important safety information before using this equipment to avoid serious injury or death and to avoid damage to equipment or property.

WARNING**ELECTRIC SHOCK HAZARD:**

- Plug unit into a properly grounded electrical receptacle of the correct voltage, size, and plug configuration. If plug and receptacle do not match, contact a qualified electrician to determine and install proper voltage and size electrical receptacle.
- Turn OFF power switch, unplug power cord, and allow unit to cool before performing any cleaning, adjustments, or maintenance.
- Unit is not weatherproof. Locate unit indoors where ambient air temperature is a maximum of 104°F (40°C).
- DO NOT submerge or saturate with water. Unit is not waterproof. Do not operate if unit has been submerged or saturated with water.
- Do not put water in heated bottle wells. Unit is for dry use only. Use with water will void warranty.
- Do not steam clean or use excessive water on unit.
- This unit is not “jet-proof” construction. Do not use jet-clean spray to clean this unit.
- Do not clean unit when it is energized or hot.
- Do not allow liquids to spill into unit.
- Do not pull unit by power cord.
- Do not allow power cord to hang over edge of counter.
- Discontinue use if power cord is frayed or worn.
- Do not attempt to repair or replace a damaged power cord. Cord must be replaced by Hatco, an Authorized Hatco Service Agent, or a person with similar qualifications.
- This unit must be serviced by qualified personnel only. Service by unqualified personnel may lead to electric shock or burn.
- Use only Genuine Hatco Replacement Parts when service is required. Failure to use Genuine Hatco Replacement Parts will void all warranties and may subject operators of the equipment to hazardous electrical voltage, resulting in electrical shock or burn. Genuine Hatco Replacement Parts are specified to operate safely in the environments in which they are used. Some aftermarket or generic replacement parts do not have the characteristics that will allow them to operate safely in Hatco equipment.

EXPLOSION HAZARD: Do not store or use gasoline or other flammable vapors or liquids in the vicinity of this or any other appliance.

Make sure all operators have been instructed on the safe and proper use of the unit.

This unit is not intended for use by children or persons with reduced physical, sensory, or mental capabilities. Ensure proper supervision of children and keep them away from the unit.

Never leave unit unattended during use.

Do not use unit for any purpose other than for which it is designed.

WARNING

FIRE HAZARD: Locate unit a minimum of 8” (203 mm) from combustible walls and materials. If safe distances are not maintained, discoloration or combustion could occur.

This unit has no “user-serviceable” parts. If service is required on this unit, contact an Authorized Hatco Service Agent or contact the Hatco Service Department at 800-558-0607 or 414-671-6350.

CAUTION**BURN HAZARD:**

- Some exterior surfaces on unit will get hot. Avoid unnecessary contact with unit.
- Do not come in contact with bottle wells during operation.
- Allow unit to cool before performing any cleaning, adjustments, or maintenance.

Locate unit at proper counter height in an area that is convenient for use. Location should be level and strong enough to support weight of unit and contents.

Use only Hatco-approved bottles and accessories with unit.

Do not use bottles in microwave ovens.

Do not operate with empty bottles in unit.

NOTICE

Do not locate unit in an area subject to excessive temperatures or grease from grills, fryers, etc. Excessive temperatures and grease could cause damage to unit.

Damage to any countertop material caused by heat generated from this equipment is not covered under the Hatco warranty. Contact manufacturer of countertop material for application information.

Use non-abrasive cleaners and cloths only. Abrasive cleaners and cloths could scratch finish of unit, marring its appearance and making it susceptible to soil accumulation.

Do not use harsh chemicals such as bleach, cleaners containing bleach, or oven cleaners to clean this unit.

This unit is intended for commercial use only—NOT for household use.

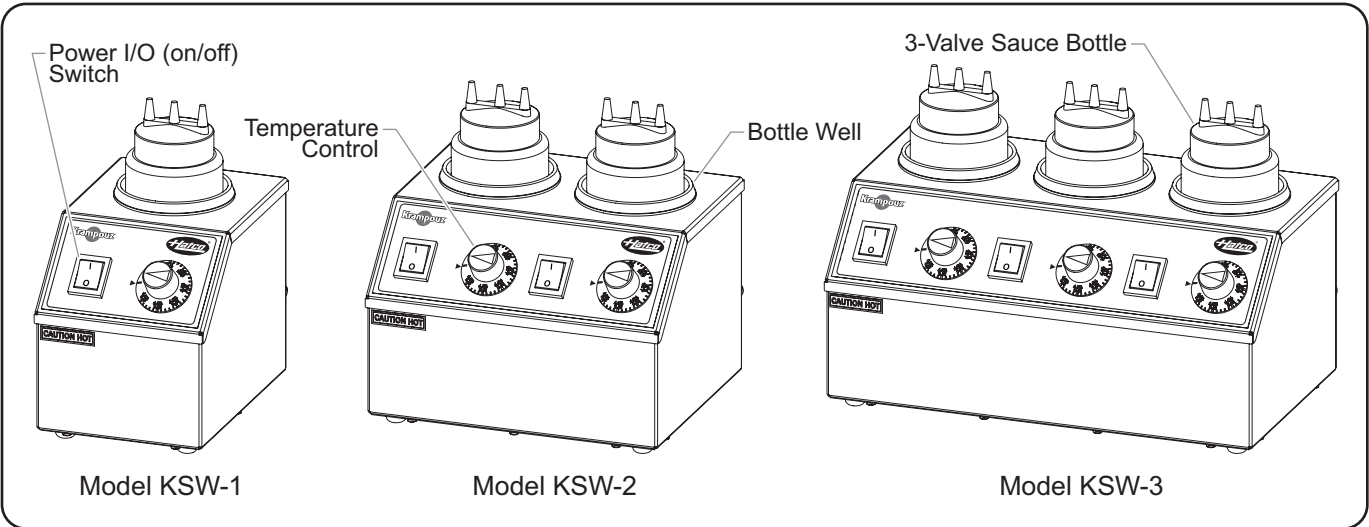
Clean unit daily to avoid malfunctions and maintain sanitary operation.

MODEL DESCRIPTION

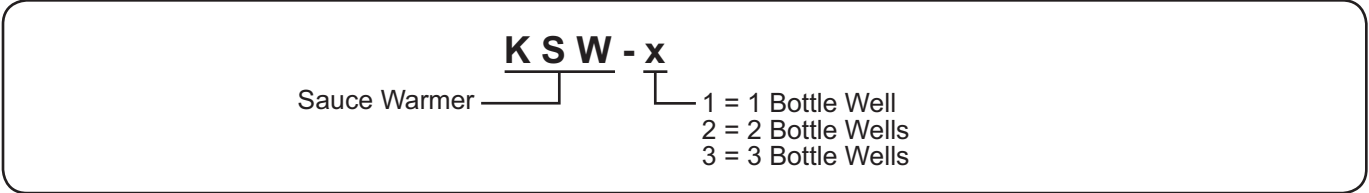
KSW Series Sauce Warmers consist of an easy-to-clean, stainless steel frame with either one, two, or three bottle wells—depending on the model. Each unit features exclusive heating element(s) and dedicated controls for each bottle well. The controls include a lighted Power I/O (on/off) switch and an adjustable Temperature Control that has a range from 105°F–195°F (40°C–90°C). Sauce Warmers are equipped with an attached 6' (1829 mm) power cord with plug.

Each Sauce Warmer is supplied with the appropriate number of 3-valve sauce bottles. The bottles have a fill capacity of 1 quart (1 L).

Refer to the OPTIONS AND ACCESSORIES section for additional items available with Sauce Warmers.



MODEL DESIGNATION

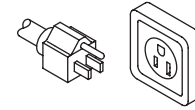


Plug Configurations

Units are supplied from the factory with an electrical cord and plug. Plugs are supplied according to the application.



ELECTRIC SHOCK HAZARD: Plug unit into a properly grounded electrical receptacle of the correct voltage, size, and plug configuration. If plug and receptacle do not match, contact a qualified electrician to determine and install proper voltage and size electrical receptacle.



NEMA 5-15P

Plug Configurations

NOTE: Receptacle not supplied by Hatco.

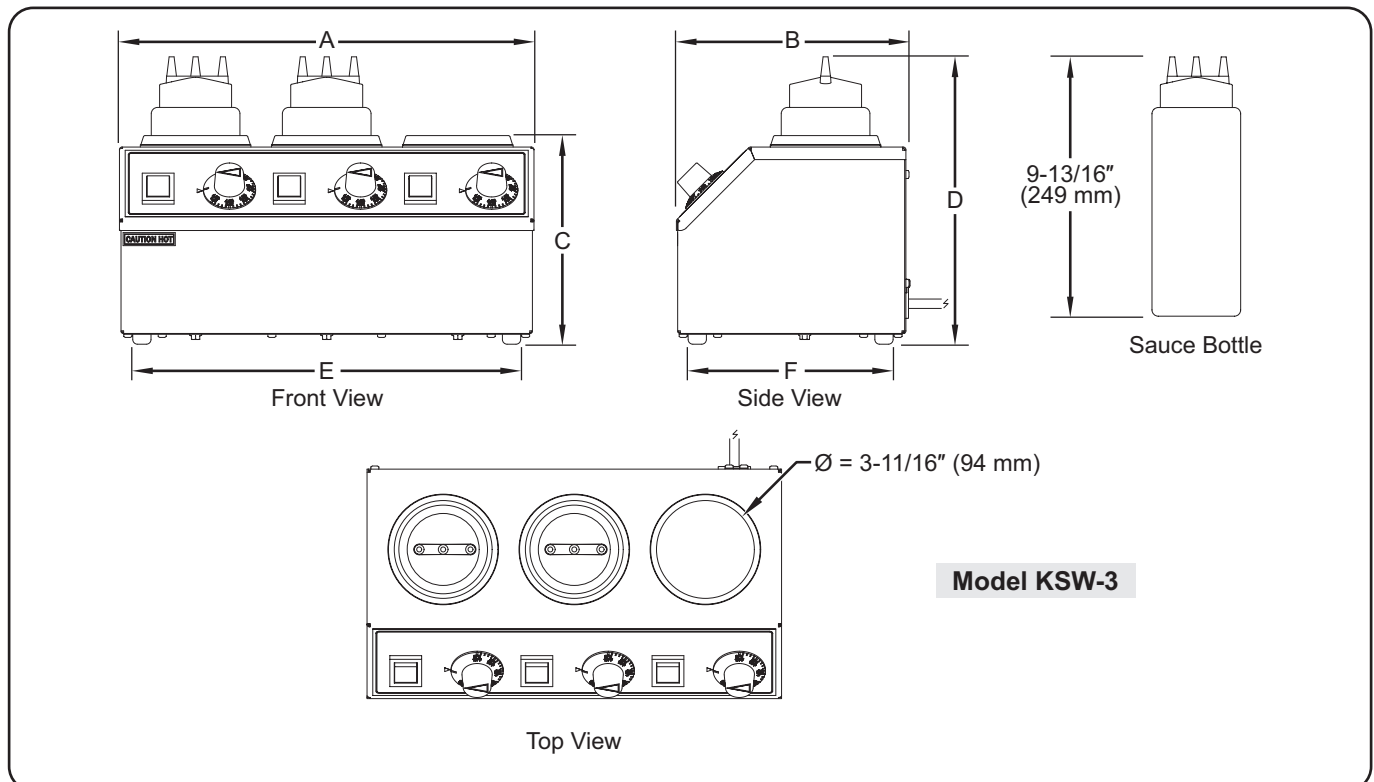
Electrical Rating Chart

| Model | Voltage | Watts | Amps | Plug Configuration | Unit Weight |
|-------|---------|-------|-------|--------------------|----------------|
| KSW-1 | 120 V | 202 W | 1.7 A | NEMA 5-15P | 4 lbs. (2 kg) |
| KSW-2 | 120 V | 404 W | 3.4 A | NEMA 5-15P | 7 lbs. (3 kg) |
| KSW-3 | 120 V | 607 W | 5.1 A | NEMA 5-15P | 11 lbs. (5 kg) |

Dimensions

| Model | Width (A) | Depth (B) | Unit Height (C) | Overall Height (D)* | Footprint Width (E) | Footprint Depth (F) |
|-------|-----------------------|----------------------|--------------------|---------------------|-----------------------|---------------------|
| KSW-1 | 6-3/16" (156 mm) | 8-13/16" (223 mm) | 7-7/8" (200 mm) | 10-7/8" (276 mm) | 5-13/16" (131 mm) | 7-3/4" (196 mm) |
| KSW-2 | 10-3/4" (272 mm) | 8-13/16" (223 mm) | 7-7/8" (200 mm) | 10-7/8" (276 mm) | 9-11/16" (246 mm) | 7-3/4" (196 mm) |
| KSW-3 | 15-11/16" (397 mm) | 8-13/16" (223 mm) | 7-7/8" (200 mm) | 10-7/8" (276 mm) | 14-11/16" (372 mm) | 7-3/4" (196 mm) |

* Overall Height (D) is with bottle installed.



General

Sauce Warmers are shipped pre-assembled and ready for use. Care should be taken when unpacking the shipping carton to avoid damage to the unit. The following installation procedure must be performed before connecting electricity and operating the unit.

WARNING

ELECTRIC SHOCK HAZARD: Unit is not weatherproof. Locate unit indoors where ambient air temperature is a maximum of 104°F (40°C).

FIRE HAZARD: Locate unit a minimum of 8" (203 mm) from combustible walls and materials. If safe distances are not maintained, discoloration or combustion could occur.

1. Inspect the shipping carton for obvious signs of transit damage. If damaged, inform the freight company immediately. **CAUTION! Stop! Do not attempt to use unit if damaged. Contact Hatco for assistance.**
2. Remove the unit and any loose components/accessories from the shipping carton. The following loose components are included in every Sauce Warmer:
 - Sauce Bottle(s)

NOTE: To prevent delay in obtaining warranty coverage, complete online warranty registration. See the IMPORTANT OWNER INFORMATION section for details.

3. Remove tape and protective packaging from all surfaces of the unit.
 - Make sure to remove all protective film from the stainless steel surfaces.
4. Inspect the unit for freight damage such as dents in housing or broken knobs. If damaged, inform the freight company immediately.

CAUTION

Locate unit at proper counter height in an area that is convenient for use. Location should be level and strong enough to support weight of unit and contents.

NOTICE

Do not locate unit in an area subject to excessive temperatures or grease from grills, fryers, etc. Excessive temperatures and grease could cause damage to unit.

Damage to any countertop material caused by heat generated from this equipment is not covered under the Hatco warranty. Contact manufacturer of countertop material for application information.

5. Place the unit in the desired location.
 - Locate the unit in an area where the ambient air temperature is constant and a maximum of 104°F (40°C). Avoid areas that may be subject to active air movements or currents (i.e., near exhaust fans/hoods, air conditioning ducts, and exterior doors).
 - Make sure the unit is at the proper counter height in an area convenient for use.
 - Make sure the countertop is level and strong enough to support the weight of the unit and food product.
 - Make sure all the feet on the bottom of the unit are positioned securely on the countertop.
6. Wash the sauce bottle(s) with warm water, mild detergent, and a bottle brush before the first use.

General

Sauce Warmers are designed for ease of operation. Use the following procedure to operate a Sauce Warmer.



Read all safety messages in the **IMPORTANT SAFETY INFORMATION** section before operating this equipment.

Control Panel

The following are descriptions of the controls used to operate a Sauce Warmer. All controls are located on the control panel at the front of the unit. Each bottle well on the unit has dedicated, identical controls.

Power I/O (on/off) Switch

The Power I/O (on/off) switch controls power to a bottle well. It is located on the front of the unit and will illuminate when in the I (on) position.

Temperature Control

The Temperature Control controls the temperature setting of a bottle well. Turn the Temperature Control clockwise to increase the temperature setting. Turn the Temperature Control counterclockwise to decrease the temperature setting. The temperature range of the unit is 105°F–195°F (40°C–90°C).

Operating the Unit

Startup

1. Plug the unit into a properly grounded electrical receptacle of the correct voltage, size, and plug configuration. See the SPECIFICATIONS section for details.



ELECTRIC SHOCK HAZARD: Do not put water in heated bottle wells. Unit is for dry use only. Use with water will void warranty.

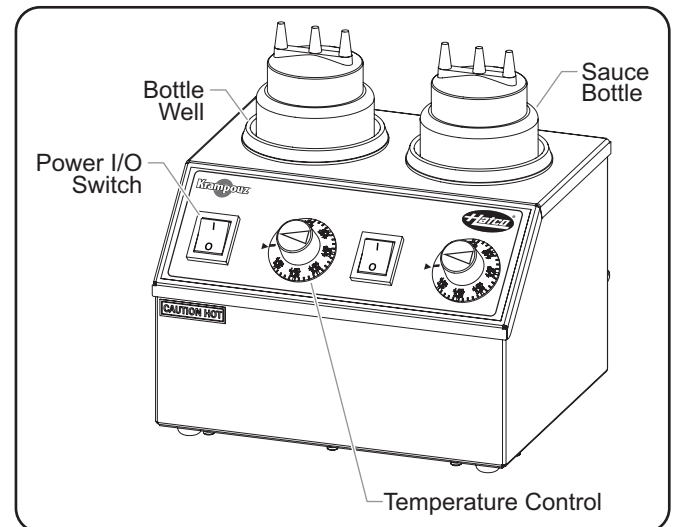


BURN HAZARD:

- Some exterior surfaces on unit will get hot. Avoid unnecessary contact with unit.
- Do not come in contact with bottle wells during operation.

Do not operate with empty bottles in unit.

2. Move the Power I/O switch(es) to the I (on) position.
3. Turn the Temperature Control clockwise to 190°F (90°C), and allow the unit to preheat for approximately 15 minutes.



Model KSW-2

4. Fill the sauce bottle(s) with the desired sauce/topping.
5. Turn the Temperature Control to the appropriate temperature setting. Refer to temperature/holding information from the sauce/topping supplier.
6. Place sauce bottle(s) in bottle well.

Shutdown

1. Turn the Temperature Control fully counterclockwise to the "off" position.
2. Move the Power I/O switch(es) to the O (off) position.
3. Perform the "Daily Cleaning" procedure in the Maintenance section of this manual.

General

Saue Warmers are designed for maximum durability and performance with minimum maintenance.



ELECTRIC SHOCK HAZARD:

- Turn OFF power switch, unplug power cord, and allow unit to cool before performing any cleaning, adjustments, or maintenance.
- DO NOT submerge or saturate with water. Unit is not waterproof. Do not operate if unit has been submerged or saturated with water.
- Do not steam clean or use excessive water on unit.
- This unit is not “jet-proof” construction. Do not use jet-clean spray to clean this unit.
- Do not clean unit when it is energized or hot.
- Do not allow liquids to spill into unit.
- This unit must be serviced by qualified personnel only. Service by unqualified personnel may lead to electric shock or burn.
- Use only Genuine Hatco Replacement Parts when service is required. Failure to use Genuine Hatco Replacement Parts will void all warranties and may subject operators of the equipment to hazardous electrical voltage, resulting in electrical shock or burn. Genuine Hatco Replacement Parts are specified to operate safely in the environments in which they are used. Some aftermarket or generic replacement parts do not have the characteristics that will allow them to operate safely in Hatco equipment.

This unit has no “user-serviceable” parts. If service is required on this unit, contact an Authorized Hatco Service Agent or contact the Hatco Service Department at 800-558-0607 or 414-671-6350.



BURN HAZARD: Allow unit to cool before performing any cleaning, adjustments, or maintenance.

Daily Cleaning

To preserve the finish of the unit as well as maintain performance, it is recommended that the unit be cleaned daily.



Submerging or saturating unit with water may cause serious injury, will damage the unit, and void unit warranty.



Use non-abrasive cleaners and cloths only. Abrasive cleaners and cloths could scratch finish of unit, marring its appearance and making it susceptible to soil accumulation.

Do not use harsh chemicals such as bleach, cleaners containing bleach, or oven cleaners to clean this unit.

Clean unit daily to avoid malfunctions and maintain sanitary operation.

1. Perform the “Shutdown” procedure in the OPERATION section of this manual, and allow the unit to cool.
2. Remove, empty, and clean the sauce bottle(s).
 - Wash the sauce bottle(s) with warm water, mild detergent, and a bottle brush. Allow to air dry.
3. Wipe all surfaces of the unit with a non-abrasive cloth dampened in warm water and a mild soap. Stubborn stains may be removed with a good stainless steel cleaner. Hard to reach areas should be cleaned with a small brush and mild soap.
4. Dry the unit using a clean, dry, non-abrasive cloth.



This unit must be serviced by qualified personnel only. Service by unqualified personnel may lead to electric shock or burn.



ELECTRIC SHOCK HAZARD: Turn OFF power switch, unplug power cord, and allow unit to cool before performing any cleaning, adjustments, or maintenance.

| Symptom | Probable Cause | Corrective Action |
|--------------------------------|--------------------------------------|---|
| Unit turned "On", but no heat. | Heating element(s) defective. | Contact Authorized Service Agent or Hatco for assistance. |
| | Temperature Control defective. | |
| Unit not hot enough. | Temperature Control setting too low. | Turn Temperature Control clockwise to increase the temperature setting. |
| | Heating element(s) defective. | Contact Authorized Service Agent or Hatco for assistance. |
| Unit not working at all. | Unit not turned on. | Review the "Operating the Unit" procedure in the OPERATION section of this manual. |
| | Unit not plugged in. | Plug unit into proper power supply. |
| | Circuit breaker tripped. | Reset circuit breaker. If circuit breaker continues to trip, contact an Authorized Service Agent or Hatco for assistance. |
| | Temperature Control defective. | Contact Authorized Service Agent or Hatco for assistance. |

Troubleshooting Questions?

If you continue to have problems resolving an issue, please contact the nearest Authorized Hatco Service Agency or Hatco for assistance. To locate the nearest Service Agency, log onto the Hatco website at www.hatcocorp.com, select the *Support* pull-down menu, and click on "Find A Service Agent"; or contact the **Hatco Parts and Service Team** at:

Telephone: 800-558-0607 or 414-671-6350

e-mail: support@hatcocorp.com

OPTIONS AND ACCESSORIES

General

The following accessories are available for Sauce Warmers.

3VBOTTLE.....3-valve, 1 quart (1 L) sauce bottle

1VBOTTLE.....1-valve, 1 quart (1 L) thick sauce bottle

1. PRODUCT WARRANTY

Hatco warrants the products that it manufactures (the "Products") to be free from defects in materials and workmanship, under normal use and service, for a period of one (1) year from the date of purchase when installed and maintained in accordance with Hatco's written instructions or 18 months from the date of shipment from Hatco. Buyer must establish the Product's purchase date by registering the Product with Hatco or by other means satisfactory to Hatco in its sole discretion.

Hatco warrants the following Product components to be free from defects in materials and workmanship from the date of purchase (subject to the foregoing conditions) for the period(s) of time and on the conditions listed below:

a) One (1) Year Parts and Labor PLUS One (1) Additional Year Parts-Only Warranty:

- Conveyor Toaster Elements (metal sheathed)
- Drawer Warmer Elements (metal sheathed)
- Drawer Warmer Drawer Rollers and Slides
- Strip Heater Elements (metal sheathed)
- Display Warmer Elements (metal sheathed air heating)
- Holding Cabinet Elements (metal sheathed air heating)
- Heated Well Elements — HW and HWB Series (metal sheathed)

b) Two (2) Year Parts and Labor Warranty:

- Induction Ranges
- Induction Warmers

c) One (1) Year Parts and Labor PLUS Four (4) Years Parts-Only Warranty:

- 3CS and FR Tanks

d) One (1) Year Parts and Labor PLUS Nine (9) Years Parts-Only Warranty on:

- Electric Booster Heater Tanks
- Gas Booster Heater Tanks

e) Ninety (90) Day Parts-Only Warranty:

- Replacement Parts

THE FOREGOING WARRANTIES ARE EXCLUSIVE AND IN LIEU OF ANY OTHER WARRANTY, EXPRESSED OR IMPLIED, INCLUDING BUT NOT LIMITED TO ANY IMPLIED WARRANTY OF MERCHANTABILITY OR FITNESS FOR A PARTICULAR PURPOSE OR PATENT OR OTHER INTELLECTUAL PROPERTY RIGHT INFRINGEMENT. Without limiting the generality of the foregoing, SUCH WARRANTIES DO NOT COVER: Coated incandescent light bulbs, fluorescent lights, heat lamp bulbs, coated halogen light bulbs, halogen heat lamp bulbs, xenon light bulbs, LED light tubes, glass components, and fuses; Product failure in booster tank, fin tube heat exchanger, or other water heating equipment caused by liming, sediment buildup, chemical attack, or freezing; or Product misuse, tampering or misapplication, improper installation, or application of improper voltage.

2. LIMITATION OF REMEDIES AND DAMAGES

Hatco's liability and Buyer's exclusive remedy hereunder will be limited solely, at Hatco's option, to repair or replacement using new or refurbished parts or Product by Hatco or a Hatco-authorized service agency (other than where Buyer is located outside of the United States, Canada, United Kingdom, or Australia, in which case Hatco's liability and Buyer's exclusive remedy hereunder will be limited solely to replacement of part under warranty) with respect to any claim made within the applicable warranty period referred to above. Hatco reserves the right to accept or reject any such claim in whole or in part. In the context of this Limited Warranty, "refurbished" means a part or Product that has been returned to its original specifications by Hatco or a Hatco-authorized service agency. Hatco will not accept the return of any Product without prior written approval from Hatco, and all such approved returns shall be made at Buyer's sole expense. HATCO WILL NOT BE LIABLE, UNDER ANY CIRCUMSTANCES, FOR CONSEQUENTIAL OR INCIDENTAL DAMAGES, INCLUDING BUT NOT LIMITED TO LABOR COSTS OR LOST PROFITS RESULTING FROM THE USE OF OR INABILITY TO USE THE PRODUCTS OR FROM THE PRODUCTS BEING INCORPORATED IN OR BECOMING A COMPONENT OF ANY OTHER PRODUCT OR GOODS.

| | | | |
|--|----|---|--------------------|
| Informations Importantes pour le Propriétaire..... | 11 | Mode d'emploi | 16 |
| Introduction..... | 11 | Généralités | 16 |
| Consignes de Sécurité Importantes..... | 12 | Panneau de commande | 16 |
| Description du Modèle..... | 13 | Fonctionnement de l'appareil | 16 |
| Désignation du Modèle | 13 | Maintenance..... | 17 |
| Caractéristiques Techniques | 14 | Généralités | 17 |
| Configuration des fiches..... | 14 | Nettoyage quotidien..... | 17 |
| Tableau des valeurs nominales électriques | 14 | Guide de Dépannage..... | 18 |
| Dimensions | 14 | Options et Accessoires | 18 |
| Installation..... | 15 | Garantie Limitée | 19 |
| Généralités | 15 | Distributeurs de pièces autorisés | Couverture Arrière |

INFORMATIONS IMPORTANTES POUR LE PROPRIÉTAIRE

Notez le numéro de modèle, le numéro de série, la tension et la date d'achat de l'appareil dans les espaces ci-dessous (Étiquette des caractéristiques techniques située au dos de l'appareil). Veuillez avoir cette information à portée de la main si vous appelez Hatco pour assistance.

Modèle No. _____

Numéro de série _____

Voltage _____

Date d'achat _____

Enregistrez votre appareil!

Remplissez la garantie en ligne pour éviter les retards pour faire jouer la garantie. Accédez au site Web Hatco www.hatcocorp.com, sélectionnez le menu déroulant *Support (Assistance)*, puis cliquez sur « Warranty » (Garantie).

Horaires

ouvrables : 7h00 à 17h00 du lundi au vendredi
Heure du Centre (CT)
(Horaires d'été—juin à septembre:
7h00 à 17h00 du lundi au jeudi
7h00 à 16h00 le vendredi)

Téléphone: 800-558-0607; 414-671-6350

Courriel: support@hatcocorp.com



Service d'assistance et de pièces de rechange disponible 7j/7, 24h/24 aux États-Unis et au Canada en composant le 800-558-0607.

Des renseignements supplémentaires sont disponibles sur notre site Web à www.hatcocorp.com.

INTRODUCTION

Les chauffe-sauces sont un moyen pratique et attrayant de conserver diverses sauces et garnitures chaudes et prêtes à l'emploi dans les cuisines commerciales et les endroits où la cuisson est effectuée sous les yeux des clients. Le(s) thermostat(s) réglable(s) permet(tent) aux utilisateurs de conserver diverses sauces et garnitures.

Les chauffe-sauces sont issus de recherches avancées et de tests intensifs sur le terrain. Les matériaux utilisés ont été sélectionnés afin de garantir une durée de vie maximale, un design attractif et des performances optimales. Chaque appareil est inspecté et testé minutieusement avant d'être expédié.

Ce manuel fournit les instructions concernant l'installation, la sécurité et le fonctionnement des chauffe-sauces. Hatco vous recommande de lire l'ensemble des instructions d'installation, de sécurité et d'utilisation fournies dans ce manuel avant d'installer et d'utiliser l'appareil.

Les consignes de sécurité qui apparaissent dans ce manuel sont identifiées par les mots indicateurs suivants :

AVERTISSEMENT

AVERTISSEMENT indique une situation dangereuse qui, si elle n'est pas évitée, peut provoquer la mort ou des blessures graves.

ATTENTION

ATTENTION indique une situation dangereuse qui, si elle n'est pas évitée, peut provoquer des blessures légères ou moyennes.

AVIS

AVIS est utilisé pour des questions sans rapport avec des blessures corporelles.



Lisez les consignes de sécurité suivantes avant d'utiliser cet équipement pour éviter des dommages ou la mort et pour éviter d'endommager l'équipement ou l'installation.

⚠ AVERTISSEMENT

DANGER DE DÉCHARGE ÉLECTRIQUE :

- Brancher l'appareil sur une prise de courant avec borne de terre, de taille et de configuration des fiches correctes. Si la fiche et la prise ne se correspondent pas, s'adresser à un électricien qualifié pour déterminer et installer une prise de courant de format et de tension corrects.
- Mettez hors tension en utilisant l'interrupteur, débranchez le cordon d'alimentation et laissez l'unité refroidir avant d'effectuer tout nettoyage, tout réglage ou tout entretien.
- L'appareil n'est pas résistant aux intempéries. Placez l'appareil à l'intérieur, dans une zone dont la température ambiante est de 40°C (104°F) maximum.
- NE PAS immerger l'appareil ni le saturer d'eau. L'appareil n'est pas étanche à l'eau. Ne pas le faire fonctionner s'il a été immergé ou saturé d'eau.
- Ne mettez pas d'eau dans des porte-flacons chauds. L'appareil est destiné uniquement à un usage à sec. Si vous l'utilisez avec de l'eau, cela annulera la garantie.
- Ne pas nettoyer à la vapeur ni utiliser trop d'eau sur l'appareil.
- Cet appareil n'est pas étanche aux jets. Ne pas utiliser de jet sous pression pour nettoyer l'appareil.
- Ne pas nettoyer l'appareil tant qu'il est branché ou chaud.
- Ne pas renverser de liquides dans l'appareil.
- Ne tirez pas l'unité par le cordon d'alimentation.
- Ne laissez pas le cordon pendre le long du comptoir.
- Interrompez l'utilisation de l'unité si le cordon d'alimentation est effiloché ou usé.
- N'essayez jamais de réparer ou de remplacer un cordon d'alimentation. Celui-ci devra être remplacé par Hatco, un agent de service agréé par Hatco ou une personne possédant des qualifications similaires.
- Cet appareil doit uniquement être réparé par un personnel qualifié. Toute réparation par un personnel non qualifié peut entraîner une électrocution et des brûlures.
- Pour les réparations, utiliser exclusivement des pièces de rechange Hatco d'origine. Utilisez des pièces détachées Hatco authentiques sous peine d'annuler toutes les garanties et d'exposer l'utilisateur à des tensions électriques dangereuses pouvant entraîner une électrocution ou des brûlures. Les pièces de rechange Hatco d'origine sont conçues pour fonctionner sans danger dans les environnements dans lesquels elles sont utilisées. Certaines pièces de rechange génériques ou de second marché ne présentent pas les caractéristiques leur permettant de fonctionner sans danger dans la matériel Hatco.

RISQUE D'EXPLOSION : Ne conservez pas ou n'utilisez pas d'essence ou d'autres vapeurs ou liquides inflammables à proximité de ces plaques ou de tout autre appareil.

⚠ AVERTISSEMENT

Assurez-vous que tous les opérateurs ont été formés à l'utilisation sûre et correcte de l'appareil.

Cet appareil ne doit pas être utilisé par des enfants ou des personnes avec des capacités physiques, sensorielles ou mentales diminuées. Assurez-vous que les enfants sont bien surveillés et tenez-les à l'écart de l'appareil.

DANGER D'INCENDIE : Placez l'appareil à au moins 203 mm (8") des murs et matières inflammables. Si ces distances de sécurité ne sont pas respectées, une décoloration ou une combustion peut se produire.

Ne laissez jamais l'appareil sans surveillance pendant son utilisation.

N'utilisez pas l'appareil pour des fins autres que celles qui ont été prévues.

Cet appareil ne contient aucune pièce réparable par l'utilisateur. Si cet appareil doit être réparé, contacter un réparateur Hatco agréé ou le Service après-vente Hatco au 800-558-0607 ou 414-671-6350.

⚠ ATTENTION

DANGER DE BRÛLURE :

- Certaines surfaces extérieures de l'appareil seront chaudes. Évitez tout contact inutile avec l'appareil.
- N'entrez pas en contact avec les porte-flacons chauds pendant le fonctionnement de l'appareil.
- Laissez l'appareil refroidir avant d'effectuer tout nettoyage, réglage ou entretien.

Placez l'appareil sur un plan de travail dont la hauteur est appropriée, à un emplacement pratique à utiliser. L'emplacement choisi doit être de niveau et solide afin de supporter le poids de l'appareil et de son contenu.

Utilisez uniquement des bouteilles et des accessoires approuvés par Hatco sur l'appareil.

N'utilisez pas de bouteilles dans les fours à micro-ondes.

Ne mettez pas de bouteilles vides dans l'appareil.

AVIS

Ne placez pas l'appareil dans une zone soumise à des températures excessives ou exposée à de la graisse provenant de grills, poêles, etc. Des températures excessives et la graisse risquent d'endommager l'appareil.

Les dommages à toute partie du comptoir pouvant être causés par la chaleur générée par cet équipement ne sont pas couverts par la garantie de Hatco. Contactez le fabricant du comptoir pour plus de renseignements.

Utilisez des chiffons et produits nettoyants non abrasifs uniquement. Les chiffons et nettoyant abrasifs pourraient rayer la finition de l'unité, altérant son apparence et la rendant vulnérable à l'accumulation de saleté.

AVIS

L'utilisation de produits chimiques agressifs tels que l'eau de javel, les produits nettoyants contenant de la javel, ou les produits de nettoyage pour les fours sont proscrits pour nettoyer l'appareil.

AVIS

Cet appareil est réservé à un usage professionnel uniquement — il ne convient PAS à un usage personnel.

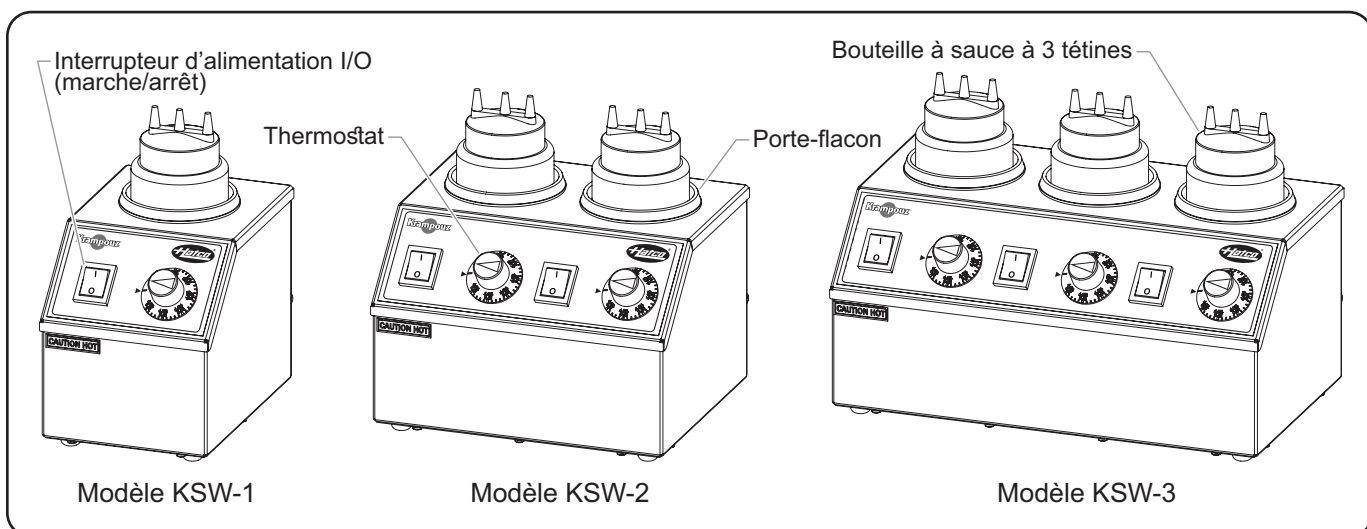
Nettoyez l'unité quotidiennement pour éviter les dysfonctionnements et assurer un fonctionnement sain.

DESCRIPTION DU MODÈLE

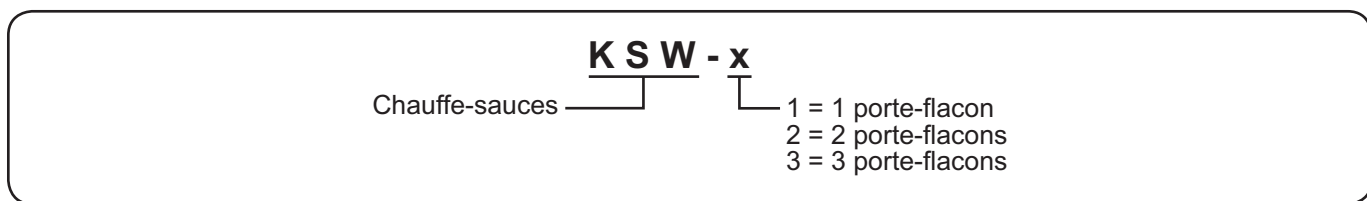
Les chauffe-sauces de la série KSW sont composés d'un cadre en acier inoxydable facile à nettoyer avec un, deux ou trois porte-flacons—en fonction du modèle. Chaque appareil est équipé d'un ou de plusieurs dispositifs chauffants exclusifs et de commandes dédiées pour chaque porte-flacon. Les commandes comprennent un interrupteur d'alimentation I/O (marche/arrêt) éclairé et un thermostat réglable dans une plage allant de 40 à 90°C (105 à 195°F). Les chauffe-sauces sont équipés d'un cordon d'alimentation avec fiche de 1 829 mm (6') installée.

Chaque chauffe-sauces est fourni avec le nombre approprié de bouteilles à sauce à 3 têtes. Les bouteilles ont une capacité de remplissage de 1 litre (1 quart).

Veillez consulter la section OPTIONS ET ACCESSOIRES pour connaître les éléments supplémentaires disponibles pour les chauffe-sauces.



DÉSIGNATION DU MODÈLE

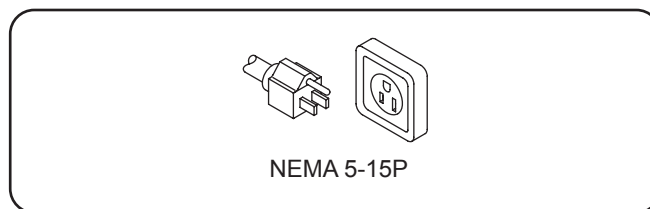


Configuration des fiches

Les appareils sont fournis par l'usine avec un cordon et une prise électriques. Les fiches fournies correspondent à leur application.



DANGER DE DÉCHARGE ÉLECTRIQUE: Brancher l'appareil sur une prise de courant avec borne de terre, de taille et de configuration des fiches correctes. Si la fiche et la prise ne se correspondent pas, s'adresser à un électricien qualifié pour déterminer et installer une prise de courant de format et de tension corrects.



Configuration des fiches

NOTA: Prise non fournie par Hatco.

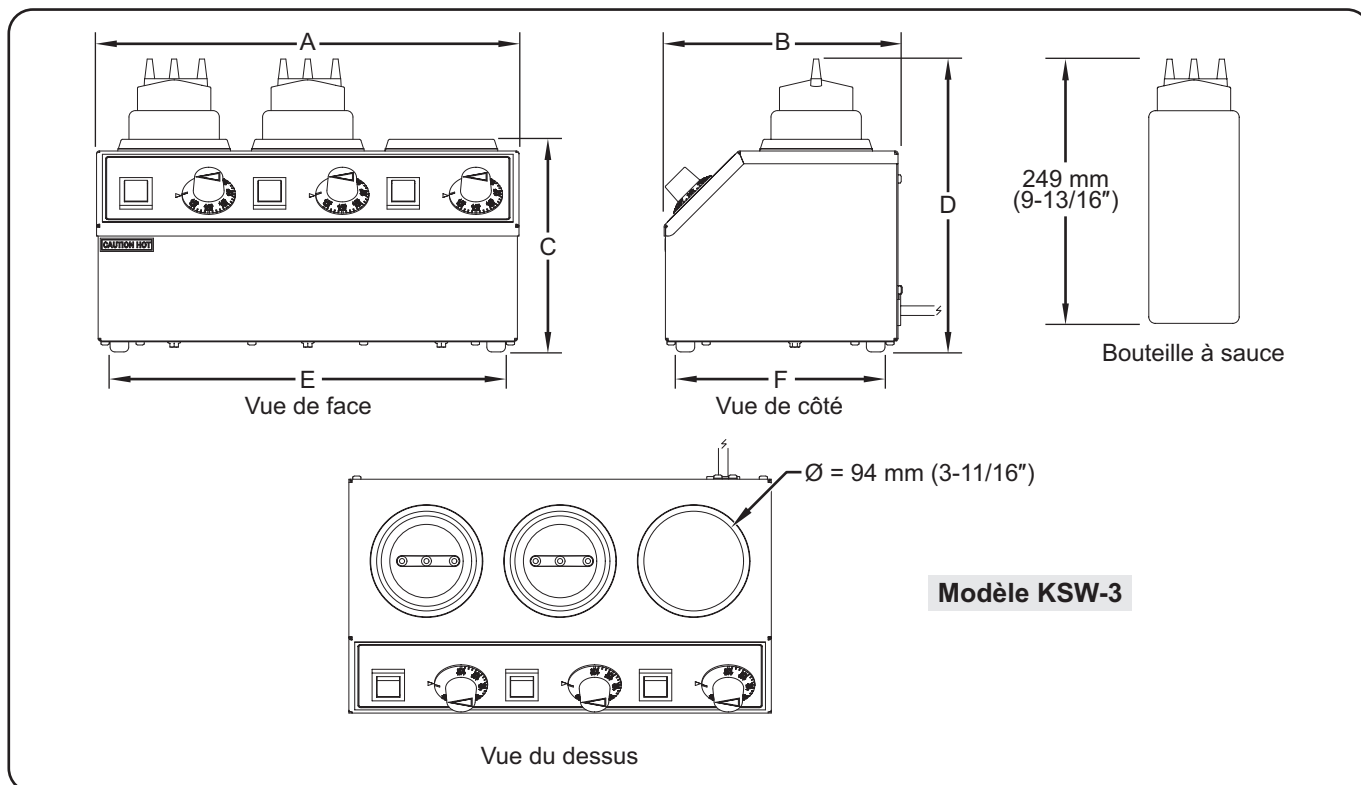
Tableau des valeurs nominales électriques

| Modèle | Tension | Puissance | Intensité | Configuration de Fiches | Poids de l'appareil |
|--------|---------|-----------|-----------|-------------------------|---------------------|
| KSW-1 | 120 V | 202 W | 1.7 A | NEMA 5-15P | 2 kg (4 lbs.) |
| KSW-2 | 120 V | 404 W | 3.4 A | NEMA 5-15P | 3 kg (7 lbs.) |
| KSW-3 | 120 V | 607 W | 5.1 A | NEMA 5-15P | 5 kg (11 lbs.) |

Dimensions

| Modèle | Largeur (A) | Profondeur (B) | Appareil Hauteur (C) | Total Hauteur (D)* | Encombrement Largeur (E) | Encombrement Profondeur (F) |
|--------|-----------------------|----------------------|----------------------|---------------------|--------------------------|-----------------------------|
| KSW-1 | 156 mm (6-3/16") | 223 mm (8-13/16") | 200 mm (7-7/8") | 276 mm (10-7/8") | 131 mm (5-13/16") | 196 mm (7-3/4") |
| KSW-2 | 272 mm (10-3/4") | 223 mm (8-13/16") | 200 mm (7-7/8") | 276 mm (10-7/8") | 246 mm (9-11/16") | 196 mm (7-3/4") |
| KSW-3 | 397 mm (15-11/16") | 223 mm (8-13/16") | 200 mm (7-7/8") | 276 mm (10-7/8") | 372 mm (14-11/16") | 196 mm (7-3/4") |

* La hauteur totale (D) est avec la bouteille installée.



Généralités

Les chauffe-sauces sont expédiés prémontés et prêts à l'emploi. Veillez à ne pas endommager l'appareil lors du déballage du carton d'expédition. La procédure d'installation suivante doit être suivie avant de brancher l'électricité et d'utiliser l'appareil.

AVERTISSEMENT

DANGER DE DÉCHARGE ÉLECTRIQUE: L'appareil n'est pas résistant aux intempéries. Placez l'appareil à l'intérieur, dans une zone dont la température ambiante est de 40°C (104°F) maximum.

DANGER D'INCENDIE: Placez l'appareil à au moins 203 mm (8") des murs et matières inflammables. Si ces distances de sécurité ne sont pas respectées, une décoloration ou une combustion peut se produire.

1. Vérifiez que le carton d'expédition ne présente pas de défauts visibles à l'œil nu dus au transport. En cas de dommages, prévenez immédiatement la société de transport. **ATTENTION! Arrêtez! N'essayez pas d'utiliser l'appareil s'il est endommagé. Contactez Hatco pour obtenir une assistance.**
2. Retirez l'appareil et tous les composants/accessoires indépendants du carton d'expédition. Les composants indépendants suivants sont inclus dans chaque chauffe-sauces :
 - Bouteille(s) à sauce

NOTA: Pour éviter des retards dans l'obtention de la couverture de la garantie, complétez l'enregistrement en ligne de votre garantie. Lisez la section INFORMATIONS IMPORTANTES POUR LE PROPRIÉTAIRE pour plus de détails.
3. Retirez le ruban et l'emballage de protection de toutes les surfaces de l'appareil.
 - Assurez-vous de retirer l'ensemble des films protecteurs recouvrant les surfaces en acier inoxydable.
4. Vérifiez la présence ou non de dommages dus au transport, tels que des bosses sur le boîtier ou des boutons cassés. En cas de dommages, prévenez immédiatement la société de transport.

ATTENTION

Placez l'appareil sur un plan de travail dont la hauteur est appropriée, à un emplacement pratique à utiliser. L'emplacement choisi doit être de niveau et solide afin de supporter le poids de l'appareil et de son contenu.

AVIS

Ne placez pas l'appareil dans une zone soumise à des températures excessives ou exposée à de la graisse provenant de grils, poêles, etc. Des températures excessives et la graisse risquent d'endommager l'appareil.

Les dommages à toute partie du comptoir pouvant être causés par la chaleur générée par cet équipement ne sont pas couverts par la garantie de Hatco. Contactez le fabricant du comptoir pour plus de renseignements.

5. Placez l'appareil à l'emplacement souhaité.
 - Placez l'appareil dans une zone dont la température ambiante est constante (40°C [104°F] maximum). Évitez les zones pouvant être soumises à des mouvements d'air ou à des courants d'air actifs (comme à proximité de ventilateurs d'échappement/de hottes d'aspiration, de conduites de climatisation et de portes extérieures).
 - Assurez-vous que l'unité est placée à une hauteur appropriée dans une zone facilitant son utilisation.
 - Veillez à ce que le comptoir soit plat et assez résistant pour supporter le poids de l'unité et des produits alimentaires.
 - Veuillez vous assurer que tous les pieds en dessous de l'appareil sont fermement positionnés sur le comptoir.
6. Lavez la ou les bouteilles à sauce avec de l'eau tiède, un détergent doux et un goupillon avant la première utilisation.

Généralités

Les chauffe-sauces sont conçus pour une utilisation facile. Suivez la procédure suivante pour utiliser un chauffe-sauces.

AVERTISSEMENT

Lire tous les messages de sécurité de la section **CONSIGNES DE SÉCURITÉ IMPORTANTES** avant d'utiliser ce matériel.

Panneau de commande

Voici la description des commandes utilisées pour faire fonctionner un chauffe-sauces. Toutes les commandes se trouvent sur le panneau de commande à l'avant de l'unité. Chaque porte-flacon de l'appareil comporte des commandes dédiées et identiques.

Interrupteur d'alimentation I/O (marche/arrêt)

L'interrupteur d'alimentation I/O (marche/arrêt) permet d'allumer ou d'éteindre un porte-flacon. Il est situé à l'avant de l'appareil et s'allume lorsqu'il est en mode « I » (marche).

Thermostat

Le thermostat contrôle le réglage de la température d'un porte-flacon. Tournez le thermostat dans le sens horaire pour augmenter le réglage de température. Tournez le thermostat dans le sens inverse des aiguilles d'une montre abaissera la température. La plage de températures de l'appareil est de 40 à 90°C (105 à 195°F).

Fonctionnement de l'appareil

Allumage

1. Branchez l'appareil sur une prise de courant reliée à la borne de terre, de taille et de configuration de fiche correctes. Consultez la section CARACTÉRISTIQUES TECHNIQUES pour obtenir plus de détails.

AVERTISSEMENT

DANGER DE DÉCHARGE ÉLECTRIQUE: Ne mettez pas d'eau dans des porte-flacons chauds. L'appareil est destiné uniquement à un usage à sec. Si vous l'utilisez avec de l'eau, cela annulera la garantie.

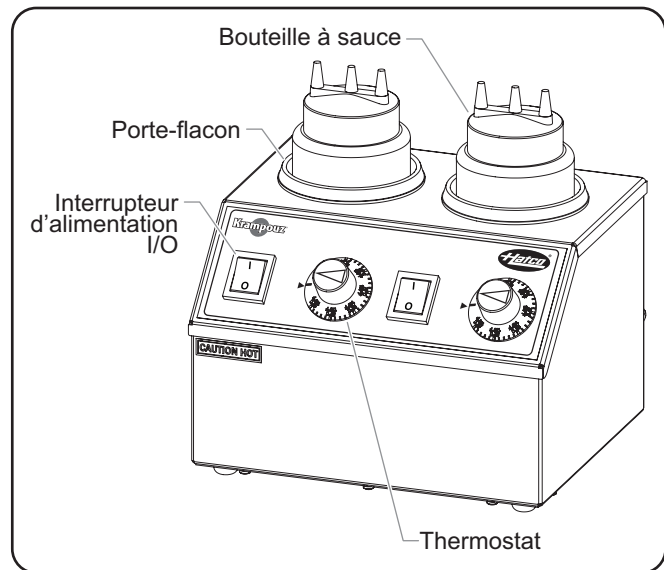
ATTENTION

DANGER DE BRÛLURE :

- Certaines surfaces extérieures de l'appareil seront chaudes. Évitez tout contact inutile avec l'appareil.
- N'entrez pas en contact avec les porte-flacons chauds pendant le fonctionnement de l'appareil.

Ne mettez pas de bouteilles vides dans l'appareil.

2. Mettez le/les interrupteur(s) d'alimentation I/O (marche/arrêt) en position I (marche).
3. Tournez le thermostat dans le sens horaire à 90°C (190°F) et laissez l'appareil préchauffer pendant environ 15 minutes.



Model KSW-2

4. Remplissez la ou les bouteilles à sauce avec la sauce ou la garniture souhaitée.
5. Tournez le thermostat pour choisir le réglage de température approprié. Consultez les informations sur la température ou la conservation de la sauce ou de la garniture provenant du fournisseur de cette dernière.
6. Placez la ou les bouteille(s) à sauce dans le porte-flacon.

Arrêt

1. Tournez le thermostat à fond dans le sens inverse des aiguilles d'une montre.
2. Mettez le/les interrupteur(s) d'alimentation I/O (marche/arrêt) en position O (arrêt).
3. Effectuez la procédure de « Nettoyage quotidien » décrite dans la section Maintenance de ce manuel.

Généralités

Les chauffe-sauces ont été conçus pour offrir une durabilité et un rendement maximaux avec un minimum d'entretien.

AVERTISSEMENT

DANGER DE DÉCHARGE ÉLECTRIQUE :

- Mettez hors tension en utilisant l'interrupteur, débranchez le cordon d'alimentation et laissez l'unité refroidir avant d'effectuer tout nettoyage, tout réglage ou tout entretien.
- NE PAS immerger l'appareil ni le saturer d'eau. L'appareil n'est pas étanche à l'eau. Ne pas le faire fonctionner s'il a été immergé ou saturé d'eau.
- Ne pas nettoyer à la vapeur ni utiliser trop d'eau sur l'appareil.
- Cet appareil n'est pas étanche aux jets. Ne pas utiliser de jet sous pression pour nettoyer l'appareil.
- Ne pas nettoyer l'appareil tant qu'il est branché ou chaud.
- Ne pas renverser de liquides dans l'appareil.
- Cet appareil doit uniquement être réparé par un personnel qualifié. Toute réparation par un personnel non qualifié peut entraîner une électrocution et des brûlures.
- Pour les réparations, utiliser exclusivement des pièces de rechange Hatco d'origine. Utilisez des pièces détachées Hatco authentiques sous peine d'annuler toutes les garanties et d'exposer l'utilisateur à des tensions électriques dangereuses pouvant entraîner une électrocution ou des brûlures. Les pièces de rechange Hatco d'origine sont conçues pour fonctionner sans danger dans les environnements dans lesquels elles sont utilisées. Certaines pièces de rechange génériques ou de second marché ne présentent pas les caractéristiques leur permettant de fonctionner sans danger dans la matériel Hatco.

Cet appareil ne contient aucune pièce réparable par l'utilisateur. Si cet appareil doit être réparé, contacter un réparateur Hatco agréé ou le Service après-vente Hatco au 800-558-0607 ou 414-671-6350.

ATTENTION

DANGER DE BRÛLURE: Laissez l'appareil refroidir avant d'effectuer tout nettoyage, réglage ou entretien.

Nettoyage quotidien

Afin de préserver la finition de l'unité et de conserver son efficacité, il est recommandé de nettoyer l'unité quotidiennement.

AVERTISSEMENT

Plonger l'appareil dans l'eau, ou le saturer d'eau, endommage l'équipement et entraîne l'annulation de sa garantie.

AVIS

Utilisez des chiffons et produits nettoyants non abrasifs uniquement. Les chiffons et nettoyant abrasifs pourraient rayer la finition de l'unité, altérant son apparence et la rendant vulnérable à l'accumulation de saleté.

L'utilisation de produits chimiques agressifs tels que l'eau de javel, les produits nettoyants contenant de la javel, ou les produits de nettoyage pour les fours sont proscrits pour nettoyer l'appareil.

Nettoyez l'unité quotidiennement pour éviter les dysfonctionnements et assurer un fonctionnement sain.

1. Effectuez la procédure « Arrêt » dans la section FONCTIONNEMENT de ce manuel et laissez l'appareil refroidir.
2. Retirez, videz et nettoyez la ou les bouteilles à sauce.
 - Lavez la ou les bouteilles à sauce avec de l'eau tiède, un détergent doux et un goupillon. Laissez sécher à l'air.
3. Essuyez toutes les surfaces de l'appareil à l'aide d'un chiffon non abrasif humidifié avec de l'eau chaude et du savon doux. Les taches persistantes peuvent être éliminées à l'aide d'un bon produit de nettoyage pour acier inoxydable. Les recoins difficiles d'accès devront être nettoyés à l'aide d'une petite brosse et de savon doux.
4. Séchez l'appareil à l'aide d'un chiffon sec, propre et non abrasif.

⚠ AVERTISSEMENT

La réparation de cet appareil doit être confiée exclusivement à du personnel qualifié. Les réparations par des personnes non qualifiées peuvent provoquer des décharges électriques et des brûlures.

⚠ AVERTISSEMENT

DANGER DE DÉCHARGE ÉLECTRIQUE: Mettez hors tension en utilisant l'interrupteur, débranchez le cordon d'alimentation et laissez l'unité refroidir avant d'effectuer tout nettoyage, tout réglage ou tout entretien.

| Symptômes | Causes Probables | Action Correctrice |
|---|--|---|
| L'appareil est allumé mais ne produit pas de chaleur. | L'élément chauffant est défectueux. | Contactez votre agent de maintenance agréé ou Hatco pour toute demande d'assistance. |
| | La commande de température est défectueuse. | |
| L'appareil n'est pas suffisamment chaud. | La commande de température est réglée à un niveau trop faible. | Tournez la commande de température dans le sens horaire pour augmenter le réglage de température. |
| | L'élément chauffant est défectueux. | Contactez votre agent de maintenance agréé ou Hatco pour toute demande d'assistance. |
| L'appareil ne fonctionne pas du tout. | L'appareil n'est pas allumé. | Consultez « Fonctionnement de l'appareil » de la partie MODE D'EMPLOI de ce manuel. |
| | L'appareil n'est pas branché. | Branchez l'appareil sur une source d'alimentation adaptée. |
| | Le disjoncteur s'est déclenché. | Redémarrez le coupe-circuit. Si le disjoncteur de circuit continue de se déclencher, contactez un agent d'entretien agréé ou Hatco pour obtenir une assistance. |
| | La commande de température est défectueuse. | Contactez votre agent de maintenance agréé ou Hatco pour toute demande d'assistance. |

Vous avez des questions en ce qui concerne les pannes?

Si le problème persiste, veuillez contacter l'agence d'entretien agréée Hatco la plus proche ou Hatco pour obtenir une assistance. Pour trouver l'agence d'entretien la plus proche, rendez-vous sur le site Internet de Hatco (www.hatcocorp.com) et sélectionnez le menu déroulant *Support (Assistance)*, puis cliquez sur « Find A Service Agent » (trouver un agent d'entretien); ou contactez l'équipe d'entretien et de pièces détachées de Hatco :

Numéro de téléphone: 800-558-0607 ou 414-671-6350

Courriel: support@hatcocorp.com

OPTIONS ET ACCESSOIRES

Général

Les accessoires suivants sont disponibles pour les chauffe-sauces.

3VBOTTLE..... Bouteille à sauce à 3 tétines, 1 litre (1 quart)

1VBOTTLE..... Bouteille à sauce épaisse à 1 tétine, 1 litre (1 quart)

1. GARANTIE DU PRODUIT

Hatco garantit que les produits qu'il fabrique (les « Produits ») sont exempts de défauts de matériel et de fabrication, dans des conditions normales d'utilisation et de maintenance, pour une période d'un (1) an à partir de la date d'achat à condition que l'appareil soit installé et entretenu conformément aux instructions écrites de Hatco ou 18 mois après la date de l'expédition par Hatco. L'acheteur doit prouver la date d'achat du Produit par l'enregistrement de ce dernier auprès de Hatco ou par d'autres moyens satisfaisants pour Hatco, à sa seule discrétion.

Hatco garantit que les composants du Produit suivants sont exempts de défauts de matériel et de fabrication à partir de la date d'achat (sous réserve des conditions précédentes) pour la ou les périodes de temps et en fonction des conditions listées ci-dessous :

- a) **Garantie d'un (1) an pour les pièces et la main-d'œuvre PLUS un (1) an supplémentaire pour les pièces uniquement :**
 Éléments du grille-pain à convoyeur (enveloppe métallique)
 Éléments des tiroirs chauffants (enveloppe métallique)
 Tiroirs, roues et glissières des tiroirs chauffants
 Éléments des rampes chauffantes (enveloppe métallique)
 Éléments des vitrines chauffantes
 (enveloppe métallique, air chauffant)
 Éléments des armoires de stockage
 (enveloppe métallique, air chauffant)
 Éléments des compartiments chauffants —
 série HW et HWB (enveloppe métallique)
- b) **Garantie de deux (2) ans pour les pièces et la main-d'œuvre :**
 Gammes à induction
 Réchauds à induction
- c) **Garantie d'un (1) an pour les pièces et la main-d'œuvre PLUS quatre (4) ans pour les pièces uniquement :**
 Cuves 3CS et FR
- d) **Garantie d'un (1) an pour les pièces et la main-d'œuvre PLUS neuf (9) ans pour les pièces uniquement :**
 Cuves des appareils de chauffage d'appoint électriques
 Cuves des appareils de chauffage d'appoint à gaz
- e) **Garantie de quatre-vingt-dix (90) jours pour les pièces uniquement :**
 Pièces de rechange

LES GARANTIES PRÉCÉDENTES SONT EXCLUSIVES ET REMPLACENT TOUTES AUTRES GARANTIES, EXPRESSES OU IMPLICITES, COMPRENANT, MAIS NE SE LIMITANT PAS, À TOUTES GARANTIES IMPLICITES DE QUALITÉ MARCHANDE OU DE FINALITÉ PARTICULIÈRE OU TOUS BREVETS OU TOUTES AUTRES ATTEINTES AUX DROITS DE LA PROPRIÉTÉ INTELLECTUELLE. Sans restreindre la portée générale des énoncés précédents, CES GARANTIES NE COUVRENT PAS LES ÉLÉMENTS SUIVANTS : ampoules d'éclairage à incandescence enduites, lumières fluorescentes, ampoules de lampes chauffantes, ampoules d'éclairage à halogène enduites, ampoules de lampes chauffantes au xénon, tubes d'éclairage DEL, composants en verre et fusibles ; défaut de produit dans la cuve d'un appareil de chauffage d'appoint, dans un échangeur de chaleur à tubes à ailettes ou tout autre équipement de chauffage d'eau causé par la calcification, l'accumulation de sédiments, la réaction d'un produit chimique ou le gel ; ou une mauvaise utilisation, une manipulation ou une mauvaise application, une installation inappropriée du Produit ou l'utilisation d'une tension inappropriée.

2. LIMITES DES RECOURS ET DES DOMMAGES

La responsabilité de Hatco et la seule voie de recours de l'Acheteur prévues par les présentes seront limitées exclusivement, au gré de Hatco, à la réparation ou au remplacement à l'aide de pièces ou de Produits nouveaux ou remis à neuf par Hatco ou un centre de réparation agréé par Hatco (sauf si l'Acheteur se situe hors des États-Unis, du Canada, du Royaume-Uni ou de l'Australie, auquel cas la responsabilité de Hatco et la seule voie de recours de l'Acheteur seront limitées exclusivement au remplacement des pièces concernées par la garantie) à l'égard de toute revendication effectuée dans les délais de garantie applicables mentionnés ci-dessus. Hatco se réserve le droit d'accepter ou de rejeter toute réclamation en partie ou dans son intégralité. Dans le cadre de cette Garantie limitée, « remis à neuf » signifie une pièce ou un Produit dont les caractéristiques techniques d'origine ont été restaurées par Hatco ou un centre de réparation agréé par Hatco. Hatco n'acceptera aucun retour de Produits sans qu'il n'ait auparavant donné son accord écrit, et tous ces retours approuvés doivent être effectués aux seuls frais de l'Acheteur. HATCO NE SERA PAS TENU RESPONSABLE, DANS AUCUNE CIRCONSTANCE, DES DOMMAGES CONSÉCUTIFS OU INDIRECTS, COMPRENANT, MAIS NE SE LIMITANT PAS, AUX COÛTS DE MAIN-D'ŒUVRE OU PERTES DE PROFITS DUS À UNE UTILISATION OU À UNE IMPOSSIBILITÉ D'UTILISER LES PRODUITS OU DUS AU FAIT QUE LES PRODUITS ONT ÉTÉ INTÉGRÉS DANS OU QU'ILS SONT DEVENUS UN COMPOSANT DE TOUT AUTRE PRODUIT OU BIEN.

AUTHORIZED PARTS DISTRIBUTORS • DISTRIBUTEURS DE PIÈCES AUTORISÉS

ALABAMA

Jones McLeod Appl. Svc.
Birmingham 205-251-0159

ARIZONA

Tech 24
Phoenix 602-234-2443

Byassee Equipment Co.
Phoenix 602-252-0402

CALIFORNIA

Industrial Electric
Commercial Parts & Service, Inc.
Huntington Beach 714-379-7100

Chapman Appl. Service
San Diego 619-298-7106

P & D Appliance
Commercial Parts & Service, Inc.
S. San Francisco 650-635-1900

COLORADO

Hawkins Commercial Appliance
Everwood 303-781-5548

FLORIDA

Whaley Foodservice Repair
Jacksonville 904-725-7800

Whaley Foodservice Repair
Orlando 407-757-0851

B.G.S.I./Heritage
Pompano Beach 954-971-0456

Comm. Appliance Service
Tampa 813-663-0313

GEORGIA

Heritage Service Group
Norcross 866-388-9837

HAWAII

Burney's Comm. Service, Inc.
Honolulu 808-848-1466

Food Equip Parts & Service
Honolulu 808-847-4871

ILLINOIS

Parts Town
Addison 708-865-7278

Eichenauer Elec. Service
Decatur 217-429-4229

Midwest Elec. Appl. Service
Elmhurst 630-279-8000

Cone's Repair Service
Moline 309-797-5323

IOWA

Goodwin Tucker Group
Des Moines 515-262-9308

KENTUCKY

Tech 24
Lexington 859-254-8854

Tech 24
Louisville 502-451-5411

LOUISIANA

Chandlers Parts & Service
Baton Rouge 225-272-6620

MARYLAND

Electric Motor Service
Baltimore 410-467-8080

MASSACHUSETTS

Ace Service Co., Inc.
Needham 781-449-4220

MICHIGAN

Bildons Appliance Service
Detroit 248-478-3320

Commercial Kitchen Service
Bay City 989-893-4561

Midwest Food Equip. Service
Grandville 616-261-2000

MISSOURI

General Parts
Kansas City 816-421-5400

Commercial Kitchen Services
St. Louis 314-890-0700

Kaemmerlen Parts & Service
St. Louis 314-535-2222

NEBRASKA

Anderson Electric
Omaha 402-341-1414

NEVADA

Burney's Commercial
Las Vegas 702-736-0006

Hi. Tech Commercial Service
N. Las Vegas 702-649-4616

NEW JERSEY

Jay Hill Repair
Fairfield 973-575-9145

Service Plus
Flanders 973-691-6300

NEW YORK

Alpro Service Co.
Maspeth 718-386-2515

Duffy's - AIS
Buffalo 716-884-7425

3Wire
Plattsburgh 800-634-5005

Duffy's - AIS
Sauquoit 800-836-1014

J.B. Brady, Inc.
Syracuse 315-422-9271

NORTH CAROLINA

Authorized Appliance
Charlotte 704-377-4501

OHIO

Akron/Canton Comm. Svc. Inc.
Akron 330-753-6634

Tech 24
Cincinnati 513-772-6600

Commercial Parts and Service
Columbus 614-221-0057

Electrical Appl. Repair Service
Brooklyn Heights 216-459-8700

E. A. Wichman Co.
Toledo 419-385-9121

OKLAHOMA

Hagar Rest. Service, Inc.
Oklahoma City 405-235-2184

OREGON

General Parts Group
Portland 503-624-0890

PENNSYLVANIA

Elmer Schultz Services
Philadelphia 215-627-5401

FAST Comm. Appl. Service
Philadelphia 215-288-4800

AIS Commercial Parts and Service
Pittsburgh 412-809-0244

K & D Service Co.
Harrisburg 717-236-9039

Electric Repair Co.
Reading 610-376-5444

RHODE ISLAND

Marshall Electric Co.
Providence 401-331-1163

SOUTH CAROLINA

Whaley Foodservice Repair
Lexington 803-996-9900

TENNESSEE

Camp Electric
Memphis 901-527-7543

TEXAS

Armstrong Repair Service
Houston 713-666-7100

Cooking Equipment Specialist
Mesquite 972-686-6666

Commercial Kitchen Repair Co.
San Antonio 210-735-2811

UTAH

La Monica's Rest. Equip. Service
Murray 801-263-3221

VIRGINIA

Daubers
Norfolk 757-855-4097

Daubers
Springfield 703-866-3600

WASHINGTON

3Wire
Seattle 800-207-3146

WISCONSIN

A.S.C., Inc.
Madison 608-246-3160

A.S.C., Inc.
Milwaukee 414-543-6460

CANADA

ALBERTA

Key Food Equipment Service
Edmonton 780-438-1690

BRITISH COLUMBIA

Key Food Equipment Service
Vancouver 604-433-4484

Key Food Equipment Service
Victoria 250-920-4888

MANITOBA

Air Rite, Inc.
Winnipeg 204-895-2300

NEW BRUNSWICK

EMR Services, Ltd.
Moncton 506-855-4228

ONTARIO

R.C. Henderson Ltd.
Toronto 416-422-5580

Choquette - CKS, Inc.
Ottawa 613-739-8458

QUÉBEC

Choquette - CKS, Inc.
Montreal 514-722-2000

Choquette - CKS, Inc.
Québec City 418-681-3944

UNITED KINGDOM

Marren Group
Northants +44(0)1933 665313

HATCO CORPORATION

P.O. Box 340500

Milwaukee, WI 53234-0500 U.S.A.

800-558-0607 414-671-6350

support@hatcocorp.com

www.hatcocorp.com

Register your unit online!

See IMPORTANT OWNER INFORMATION
section for details.

Enregistrez votre appareil en ligne !

Lisez la section INFORMATIONS IMPORTANTES POUR
LE PROPRIÉTAIRE pour plus d'informations.