



**IMPORTANT NOTE:**  
 Locate the Specification Label on unit to determine exact Model Name and electrical specifications. This information is needed to identify the correct replacement parts. See exploded view illustration(s) for Specification Label location.

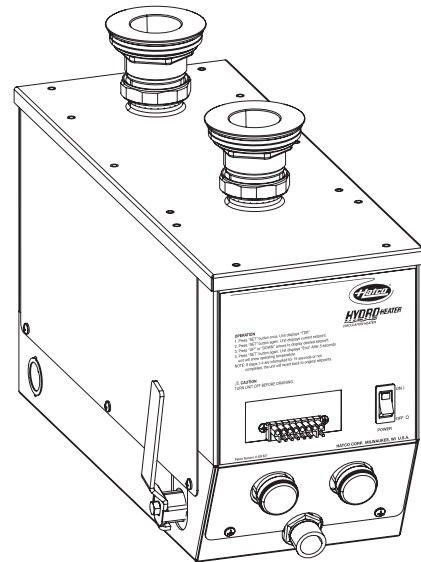
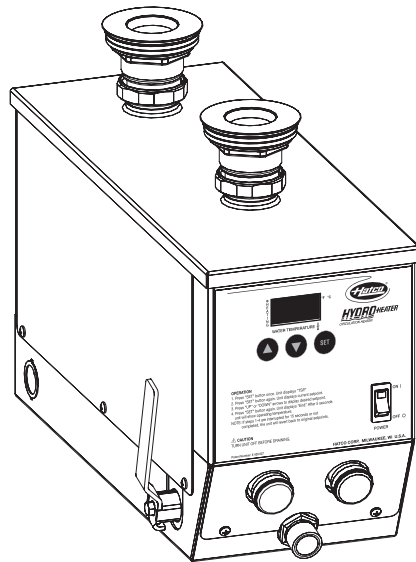
**CAUTION**

Use of replacement parts other than those supplied by Hatco Corporation may result in damage to unit or injury to personnel and will void all warranties.

# Food Rethermalizer/ Bain-Marie Heater

## FR2 Series

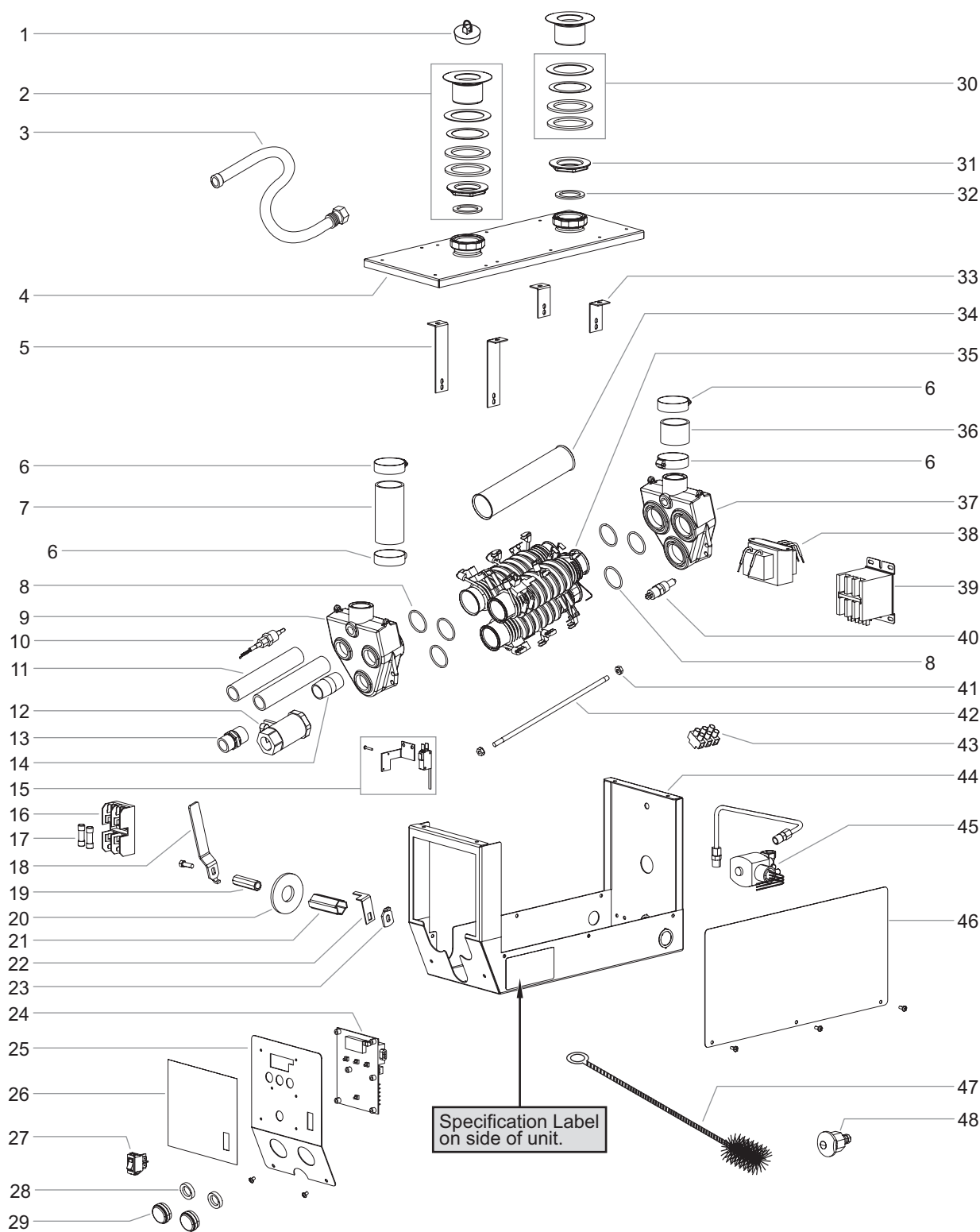
<u>Contents</u>	<u>Page</u>
Models w/ Electronic Temperature Controller .....	2
Models w/ Remote Control .....	6



# Replacement Parts List

# Food Rethermalizer/Bain-Marie Heater

## FR2 Models w/ Electronic Temperature Controller



NOTE: For FFR2 series, please refer to Installation and Operating Manual P/N 07.04.355.00.

## FR2 Models w/ Electronic Temperature Controller

Item	Description	Part No.	Qty.	Item	Description	Part No.	Qty.
1	1-3/8" (35 mm) Rubber Stopper	05.06.026.00	1	34	Blank Tube	R02.06.005F.00	1
2	Strainer Assembly w/ Gaskets	R05.30.009.00	2	35	Heating Element	See Pages 4-5	1-3
3	Flush Hose Assembly			36	Outlet Hose	03.40.062R.00	1
	3' w/ stopper kit	R05.06.010.00	1	37	Rear Head	See Pages 4-5	1
	8' w/ stopper kit	R00.05.0003.00	1	38	Transformer	02.17.046.00	1
4	Top Assembly	04.06.245.00	1	39	Contact - 3 Pole	02.01.167.00	1
5	Front Head Strap	04.06.223.00	2	40	Probe, Low Water Cut Off	02.40.015.00	1
6	Hose Clamp, S.S. w/ Liner	03.40.061.00	4	41	Keeps Nut	05.04.205.00	4
7	Inlet Hose	03.40.062F.00	1	42	Rod, Threaded	05.04.419.00	2
8	O-Ring	03.40.059.00	2-6	43	Terminal Block w/ Pins	R02.15.035.00	1
9	Front Head	See Pages 4-5	1	44	Jacket		
10	Temperature / Level Probe	02.01.204.00	1		Black	04.06.246.01	1
11	Pipe, Clean Out (2 or 3 element models only)	03.11.013.00	1		Stainless Steel	04.06.247.00	1
12	Ball Valve, Threaded	03.02.001.00	1		Auto-Fill, Black	04.06.259.01	1
13	Brass Hose Connector w/ Shoulder	03.05.058.00	1		Auto-Fill, Stainless Steel	04.06.260.00	1
14	Hex Nipple, Brass, 3/4" x 3/4"	03.05.014.00	1	45	Solenoid Valve (Auto-Fill only)	03.02.033.00	1
15	Drain Switch Kit	R02.19.162.00	1	46	Side Panel		
16	Fuse Block	02.03.022.00	1		Black	04.06.222.01	2
17	Fuse, 2 Amp (2 per pack)	R02.03.014.02	1		Stainless Steel	04.06.232.00	2
18	Handle, Ball Valve	03.02.001B.00	1	47	Cleaning Brush	03.40.060.00	1
19	Hex Extension, Ball Valve	03.02.029.00	1	48	Basin Probe, Auto-Fill	02.01.122.00	1
20	Rubber Gasket	05.06.006.00	1				
21	Valve Extension, 2-7/16" (62 mm)	04.36.015.00	1				
22	Switch Arm, Ball Valve	04.06.254.00	1				
23	Stop Plate, Ball Valve	03.02.030.00	1				
24	Electronic Temperature Controller	R02.01.189.00	1				
25	Front Control Panel						
	1 Element	04.06.252.00	1				
	2 or 3 Elements	04.06.248.00	1				
26	Control Label	07.03.422.00	1				
27	On/Off Switch						
	Date Code 0343 or newer	02.19.161.00	1				
	Date Code 0342 or older	02.19.081.00	1				
28	Gasket, Clean Out Cap	05.06.066.00	2				
29	Cap, Clean Out (w/ Gasket)	R03.40.063.00	2				
30	Strainer Gasket Kit	R00.05.0002.00	1				
31	Brass Locknut	05.30.009A.00	2				
32	Union Gasket	05.06.009.00	2				
33	Rear Head Strap	04.06.224.00	2				

**NOTE:** The last four digits in a ten digit numerical serial number are the manufacturing date code.

Example: Serial number 9625062231 has a date code of "2231" which indicates the following: 2231

└─ Week Thirty-One  
└─ Year 2022

**Parts Specific to FR2-3 and FR2-3B w/ Electronic Temperature Controller**

Item	Description	208 V	208 V	240 V	240 V
		Single Phase	Balanced Three Phase	Single Phase	Balanced Three Phase
9	Front Head	R03.17.001.01	R03.17.003.01	R03.17.001.01	R03.17.003.01
35	Heating Element (Qty. 1-3)	R02.06.003F.00	R02.06.004F.00	Not Available	R02.06.003F.00
37	Rear Head	R03.17.002.01	R03.17.004.01	R03.17.002.01	R03.17.004.01
	Wiring Diagram				
	w/o Auto-Fill	HS1-6041	HS1-6042	HS1-6041	HS1-6042
	w/ Auto-Fill	HS1-6041	HS1-6042	HS1-6041	HS1-6042

**Parts Specific to FR2-4 and FR2-4B w/ Electronic Temperature Controller**

Item	Description	208 V	208 V	240 V	240 V
		Single Phase	Balanced Three Phase	Single Phase	Balanced Three Phase
9	Front Head	R03.17.001.01	R03.17.003.01	R03.17.001.01	R03.17.003.01
35	Heating Element (Qty. 1-3)	R02.06.004F.00	R02.06.004F.00	R02.06.003F.00	R02.06.003F.00
37	Rear Head	R03.17.002.01	R03.17.004.01	R03.17.002.01	R03.17.004.01
	Wiring Diagram				
	w/o Auto-Fill	HS1-6041	HS1-6043	HS1-6041	HS1-6043
	w/ Auto-Fill	HS1-6041	HS1-6043	HS1-6041	HS1-6043

**Parts Specific to FR2-6 and FR2-6B w/ Electronic Temperature Controller**

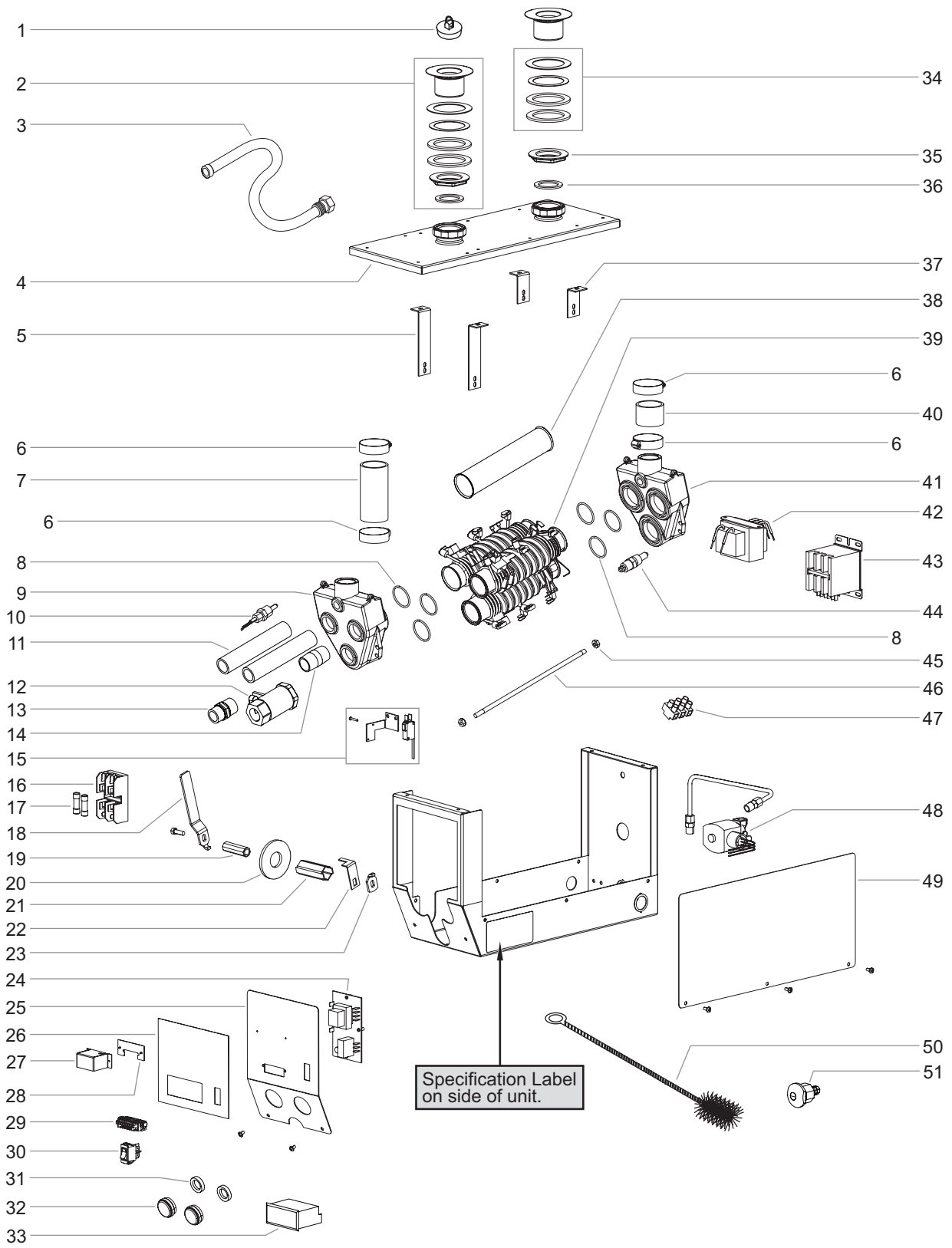
Item Description	208 V	208 V	240 V	240 V
	Single Phase	Balanced Three Phase	Single Phase	Balanced Three Phase
9 Front Head	R03.17.003.01	R03.17.003.01	R03.17.003.01	R03.17.003.01
35 Heating Element (Qty. 1-3)	R02.06.003F.00	R02.06.004F.00	Not Available	R02.06.003F.00
37 Rear Head	R03.17.004.01	R03.17.004.01	R03.17.004.01	R03.17.004.01
Wiring Diagram				
w/o Auto-Fill	HS1-6045	HS1-6044	HS1-6045	HS1-6044
w/ Auto-Fill	HS1-6045	HS1-6044	HS1-6045	HS1-6044

**Parts Specific to FR2-9 and FR2-9B w/ Electronic Temperature Controller**

Item Description	208 V	208 V	240 V	240 V
	Single Phase	Balanced Three Phase	Single Phase	Balanced Three Phase
9 Front Head	---	R03.17.003.01	---	R03.17.003.01
35 Heating Element (Qty. 3)	---	R02.06.003F.00	---	Not Available
37 Rear Head	---	R03.17.004.01	---	R03.17.004.01
Wiring Diagram				
w/o Auto-Fill	---	HS1-6046	---	HS1-6046
w/ Auto-Fill	---	HS1-6046	---	HS1-6046

# Food Rethermalizer/Bain-Marie Heater

## FR2 Models w/ Remote Control



## FR2 Models w/ Remote Control

Item	Description	Part No.	Qty.	Item	Description	Part No.	Qty.
1	1-3/8" (35 mm) Rubber Stopper	05.06.026.00	1	38	Blank Tube	R02.06.005F.00	1
2	Strainer Assembly w/ Gaskets	R05.30.009.00	2	39	Heating Element	See Pages 8-9	1-3
3	Flush Hose Assembly			40	Outlet Hose	03.40.062R.00	1
	3' w/ stopper kit	R05.06.010.00	1	41	Rear Head	See Pages 8-9	1
	8' w/ stopper kit	R00.05.0003.00	1	42	Transformer	02.17.046.00	1
4	Top Assembly	04.06.245.00	1	43	Contactorm - 3 Pole	02.01.167.00	1
5	Front Head Strap	04.06.223.00	2	44	Probe, Low Water Cut Off	02.40.015.00	1
6	Hose Clamp, S.S. w/ Liner	03.40.061.00	4	45	Keys Nut	05.04.205.00	4
7	Inlet Hose	03.40.062F.00	1	46	Rod, Threaded	05.04.419.00	2
8	O-Ring	03.40.059.00	2-6	47	Terminal Block w/ Pins	R02.15.035.00	1
9	Front Head	See Pages 8-9	1	48	Solenoid Valve (Auto-Fill only)	03.02.033.00	1
10	Temperature / Level Probe	02.01.216.00	1	49	Side Panel, Black	04.06.222.01	2
11	Pipe, Clean Out (2 or 3 element models only)	03.11.013.00	1	50	Cleaning Brush	03.40.060.00	1
12	Ball Valve, Threaded	03.02.001.00	1	51	Basin Probe, Auto-Fill	02.01.122.00	1
13	Brass Hose Connector w/ Shoulder	03.05.058.00	1	52	Connection Cable w/ Male Plug, Remote Control (not shown)	R02.18.133.165	1
14	Hex Nipple, Brass, 3/4" x 3/4"	03.05.014.00	1				
15	Drain Switch Kit	R02.19.162.00	1				
16	Fuse Block	02.03.022.00	1				
17	Fuse, 2 Amp (2 per pack)	R02.03.014.02	1				
18	Handle, Ball Valve	03.02.001B.00	1				
19	Hex Extension, Ball Valve	03.02.029.00	1				
20	Rubber Gasket	05.06.006.00	1				
21	Valve Extension, 2-7/16" (62 mm)	04.36.015.00	1				
22	Switch Arm, Ball Valve	04.06.254.00	1				
23	Stop Plate, Ball Valve	03.02.030.00	1				
24	Low Water Cut Off	R02.01.212.00	1				
25	Front Control Panel						
	1 Element	04.06.264.00	1				
	2 or 3 Elements	04.06.265.00	1				
26	Control Label	07.03.454.00	1				
27	Connector Guard	04.06.353.00	1				
28	Mounting Plate, Connector Guard	04.06.354.00	1				
29	Female Socket, Remote Control	02.20.297.00	1				
30	On/Off Switch						
	Date Code 0343 or newer	02.19.161.00	1				
	Date Code 0342 or older	02.19.081.00	1				
31	Gasket, Clean Out Cap	05.06.066.00	2				
32	Cap, Clean Out (w/ Gasket)	R03.40.063.00	2				
33	Electronic Temperature Controller	R02.01.165R.00	1				
34	Strainer Gasket Kit	R00.05.0002.00	1				
35	Brass Locknut	05.30.009A.00	2				
36	Union Gasket	05.06.009.00	2				
37	Rear Head Strap	04.06.224.00	2				

**NOTE:** The last four digits in a ten digit numerical serial number are the manufacturing date code.

*Example:* Serial number 9625062231 has a date code of "2231" which indicates the following: 2231



**Parts Specific to FR2-3 and FR2-3B w/ Remote Control**

<b>Item Description</b>	<b>208 V Single Phase</b>	<b>208 V Balanced Three Phase</b>	<b>240 V Single Phase</b>	<b>240 V Balanced Three Phase</b>
9 Front Head	R03.17.001.01	R03.17.003.01	R03.17.001.01	R03.17.003.01
39 Heating Element (Qty. 1-3)	R02.06.003F.00	R02.06.004F.00	Not Available	R02.06.003F.00
41 Rear Head	R03.17.002.01	R03.17.004.01	R03.17.002.01	R03.17.004.01
Wiring Diagram				
w/o Auto-Fill	10-01-251	10-01-252	10-01-251	10-01-252
w/ Auto-Fill	10-01-251	10-01-252	10-01-251	10-01-252

**Parts Specific to FR2-4 and FR2-4B w/ Remote Control**

<b>Item Description</b>	<b>208 V Single Phase</b>	<b>208 V Balanced Three Phase</b>	<b>240 V Single Phase</b>	<b>240 V Balanced Three Phase</b>
9 Front Head	R03.17.001.01	R03.17.003.01	R03.17.001.01	R03.17.003.01
39 Heating Element (Qty. 1-3)	R02.06.004F.00	R02.06.004F.00	R02.06.003F.00	R02.06.003F.00
41 Rear Head	R03.17.002.01	R03.17.004.01	R03.17.002.01	R03.17.004.01
Wiring Diagram				
w/o Auto-Fill	10-01-251	10-01-253	10-01-251	10-01-253
w/ Auto-Fill	10-01-251	10-01-253	10-01-251	10-01-253



### Parts Specific to FR2-6 and FR2-6B w/ Remote Control

Item Description	208 V	208 V	240 V	240 V
	Single Phase	Balanced Three Phase	Single Phase	Balanced Three Phase
9 Front Head	R03.17.003.01	R03.17.003.01	R03.17.003.01	R03.17.003.01
39 Heating Element (Qty. 1-3)	R02.06.003F.00	R02.06.004F.00	Not Available	R02.06.003F.00
41 Rear Head	R03.17.004.01	R03.17.004.01	R03.17.004.01	R03.17.004.01
Wiring Diagram				
w/o Auto-Fill	10-01-255	10-01-254	10-01-255	10-01-254
w/ Auto-Fill	10-01-255	10-01-254	10-01-255	10-01-254

### Parts Specific to FR2-9 and FR2-9B w/ Remote Control

Item Description	208 V	208 V	240 V	240 V
	Single Phase	Balanced Three Phase	Single Phase	Balanced Three Phase
9 Front Head	---	R03.17.003.01	---	R03.17.003.01
39 Heating Element (Qty. 3)	---	R02.06.003F.00	---	Not Available
41 Rear Head	---	R03.17.004.01	---	R03.17.004.01
Wiring Diagram				
w/o Auto-Fill	---	10-01-256	---	10-01-256
w/ Auto-Fill	---	10-01-256	---	10-01-256





# AUTHORIZED PARTS DISTRIBUTORS • DISTRIBUTEURS DE PIÈCES AUTORISÉS

## ALABAMA

Jones McLeod Appl. Svc.  
Birmingham 205-251-0159

## ARIZONA

Tech 24  
Phoenix 602-234-2443

Byassee Equipment Co.  
Phoenix 602-252-0402

## CALIFORNIA

Industrial Electric  
Commercial Parts & Service, Inc.  
Huntington Beach 714-379-7100

Chapman Appl. Service  
San Diego 619-298-7106

P & D Appliance  
Commercial Parts & Service, Inc.  
S. San Francisco 650-635-1900

## COLORADO

Hawkins Commercial Appliance  
Englewood 303-781-5548

## FLORIDA

Whaley Foodservice Repair  
Jacksonville 904-725-7800

Whaley Foodservice Repair  
Orlando 407-757-0851

B.G.S.I./Heritage  
Pompano Beach 954-971-0456

Comm. Appliance Service  
Tampa 813-663-0313

## GEORGIA

Heritage Service Group  
Norcross 866-388-9837

## HAWAII

Burney's Comm. Service, Inc.  
Honolulu 808-848-1466

Food Equip Parts & Service  
Honolulu 808-847-4871

## ILLINOIS

Parts Town  
Addison 708-865-7278

Eichenauer Elec. Service  
Decatur 217-429-4229

Midwest Elec. Appl. Service  
Elmhurst 630-279-8000

Cone's Repair Service  
Moline 309-797-5323

## IOWA

Goodwin Tucker Group  
Des Moines 515-262-9308

## KENTUCKY

Tech 24  
Lexington 859-254-8854

Tech 24  
Louisville 502-451-5411

## LOUISIANA

Chandlers Parts & Service  
Baton Rouge 225-272-6620

## MARYLAND

Electric Motor Service  
Baltimore 410-467-8080

## MASSACHUSETTS

Ace Service Co., Inc.  
Needham 781-449-4220

## MICHIGAN

Bildons Appliance Service  
Detroit 248-478-3320

Commercial Kitchen Service  
Bay City 989-893-4561

Midwest Food Equip. Service  
Grandville 616-261-2000

## MISSOURI

General Parts  
Kansas City 816-421-5400

Commercial Kitchen Services  
St. Louis 314-890-0700

Kaemmerlen Parts & Service  
St. Louis 314-535-2222

## NEBRASKA

Anderson Electric  
Omaha 402-341-1414

## NEVADA

Burney's Commercial  
Las Vegas 702-736-0006

Hi. Tech Commercial Service  
N. Las Vegas 702-649-4616

## NEW JERSEY

Jay Hill Repair  
Fairfield 973-575-9145

Service Plus  
Flanders 973-691-6300

## NEW YORK

Alpro Service Co.  
Maspeth 718-386-2515

Duffy's - AIS  
Buffalo 716-884-7425

3Wire  
Plattsburgh 800-634-5005

Duffy's - AIS  
Sauquoit 800-836-1014

J.B. Brady, Inc.  
Syracuse 315-422-9271

## NORTH CAROLINA

Authorized Appliance  
Charlotte 704-377-4501

## OHIO

Akron/Canton Comm. Svc. Inc.  
Akron 330-753-6634

Tech 24  
Cincinnati 513-772-6600

Commercial Parts and Service  
Columbus 614-221-0057

Electrical Appl. Repair Service  
Brooklyn Heights 216-459-8700

E. A. Wichman Co.  
Toledo 419-385-9121

## OKLAHOMA

Hagar Rest. Service, Inc.  
Oklahoma City 405-235-2184

## OREGON

General Parts Group  
Portland 503-624-0890

## PENNSYLVANIA

Elmer Schultz Services  
Philadelphia 215-627-5401

FAST Comm. Appl. Service  
Philadelphia 215-288-4800

AIS Commercial Parts and Service  
Pittsburgh 412-809-0244

K & D Service Co.  
Harrisburg 717-236-9039

Electric Repair Co.  
Reading 610-376-5444

## RHODE ISLAND

Marshall Electric Co.  
Providence 401-331-1163

## SOUTH CAROLINA

Whaley Foodservice Repair  
Lexington 803-996-9900

## TENNESSEE

Camp Electric  
Memphis 901-527-7543

Armstrong Repair Service  
Houston 713-666-7100

Cooking Equipment Specialist  
Mesquite 972-686-6666

Commercial Kitchen Repair Co.  
San Antonio 210-735-2811

## UTAH

La Monica's Rest. Equip. Service  
Murray 801-263-3221

## VIRGINIA

Daubers  
Norfolk 757-855-4097

Daubers  
Springfield 703-866-3600

## WASHINGTON

3Wire  
Seattle 800-207-3146

## WISCONSIN

A.S.C., Inc.  
Madison 608-246-3160

A.S.C., Inc.  
Milwaukee 414-543-6460

## CANADA

### ALBERTA

Key Food Equipment Service  
Edmonton 780-438-1690

### BRITISH COLUMBIA

Key Food Equipment Service  
Vancouver 604-433-4484

Key Food Equipment Service  
Victoria 250-920-4888

### MANITOBA

Air Rite, Inc.  
Winnipeg 204-895-2300

### NEW BRUNSWICK

EMR Services, Ltd.  
Moncton 506-855-4228

### ONTARIO

R.G. Henderson Ltd.  
Toronto 416-422-5580

Choquette - CKS, Inc.  
Ottawa 613-739-8458

### QUÉBEC

Choquette - CKS, Inc.  
Montreal 514-722-2000

Choquette - CKS, Inc.  
Québec City 418-681-3944

## UNITED KINGDOM

Marren Group  
Northants +44(0)1933 665313

### HATCO CORPORATION

P.O. Box 340500

Milwaukee, WI 53234-0500 U.S.A.

414-671-6350

partsandservice@hatcocorp.com

www.hatcocorp.com



24 Hour 7 Day Parts and Service  
Assistance available in the United States  
and Canada by calling 414-671-6350.