



**IMPORTANT NOTE:**

Locate the Specification Label on unit to determine exact Model Name and electrical specifications. This information is needed to identify the correct replacement parts. See exploded view illustration(s) for Specification Label location.

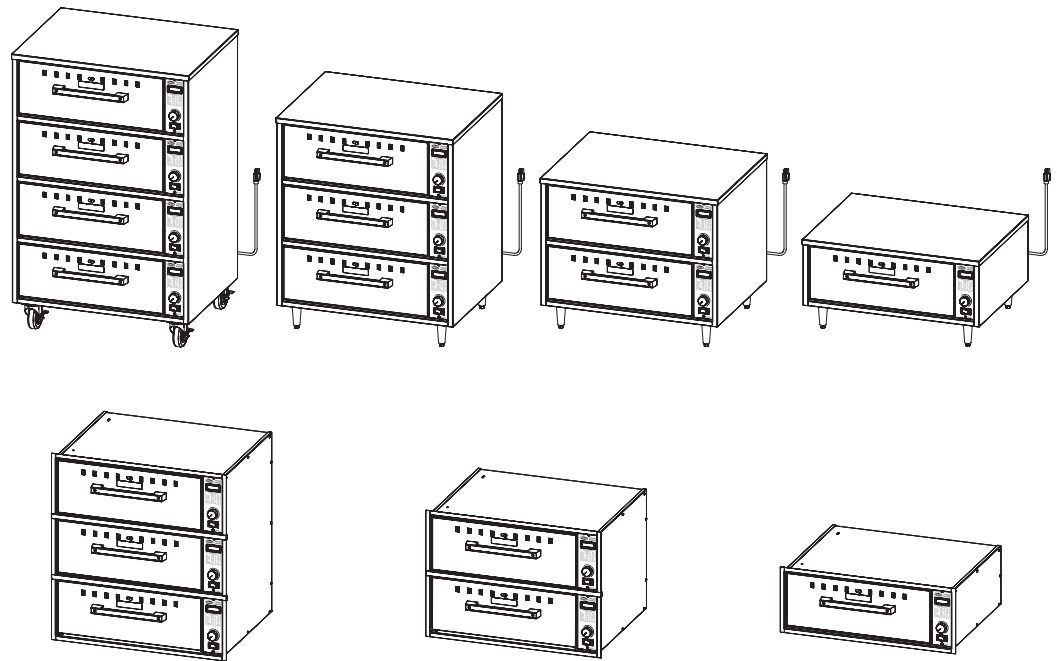


Use of replacement parts other than those supplied by Hatco Corporation may result in damage to unit or injury to personnel and will void all warranties.

# Drawer Warmers

## *HDW-x, HDW-xB, HDW-xN, and HDW-xBN Series*

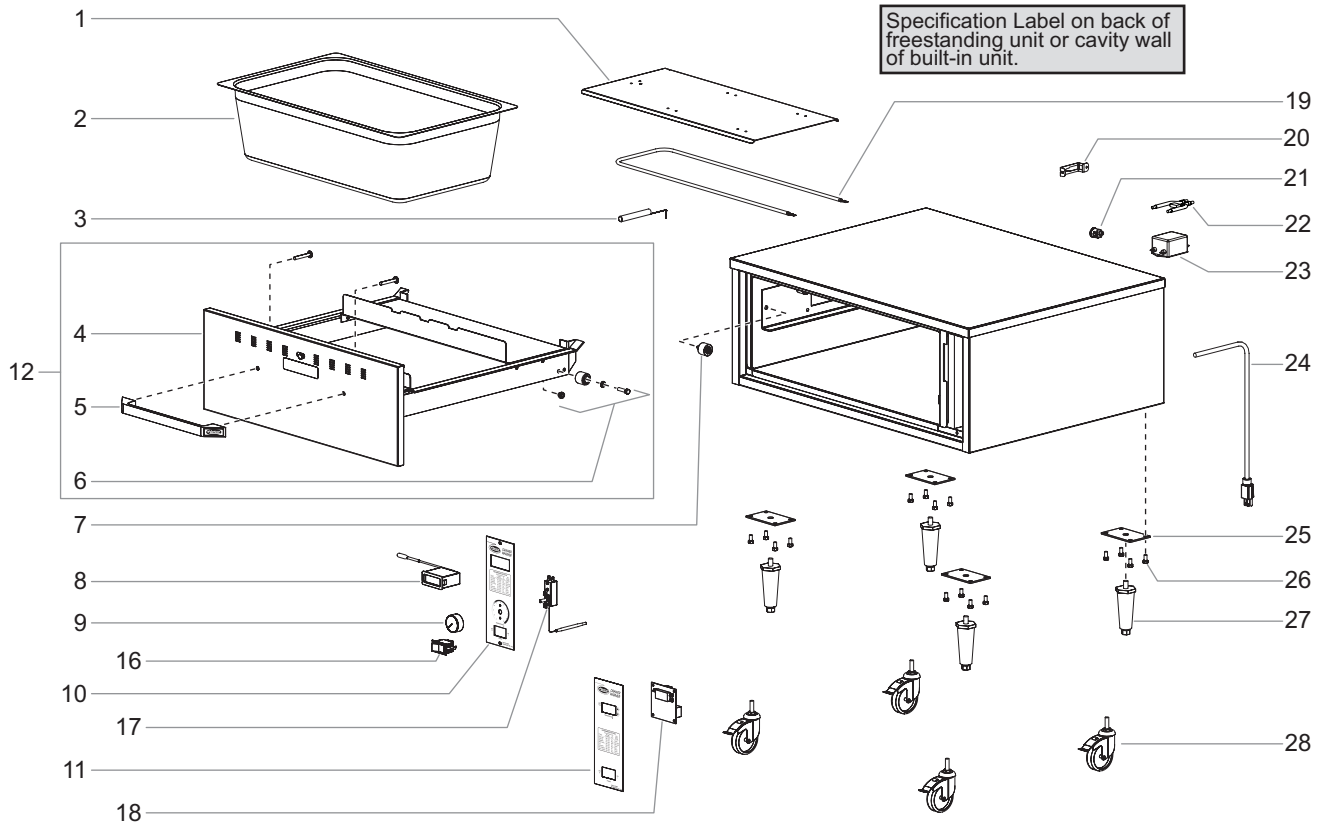
<u>Model Name</u>	<u>Page</u>
HDW-x.....	2
HDW-xB.....	2
HDW-xN.....	2
HDW-xBN.....	2
Touchscreen Controls.....	3



# Replacement Parts List

# Hatco Drawer Warmers

## HDW-x, HDW-xB, HDW-xN, and HWB-xBN Models



Item	Description	Part No.	Qty.
1	Heat Baffle Assembly, Standard	R04.16.519.00	1-4
	Heat Baffle Assembly, Narrow	04.16.725.00	1-3
2	Pan, Full Size, 6" Deep	04.09.230.00	1-4
3	Temperature Probe (optional)		
	Electronic Control	02.01.145.00	1-4
	Touchscreen Control	02.01.471.00	1-3
4	Drawer Front Assembly, Standard (includes Item 5)	R04.16.515.00	1-4
	Drawer Front Assembly, Narrow (includes Item 5)	R04.16.723.00	1-4
	Drawer Front Assembly, Extended (includes Item 5)	R04.54.287.00	1-4
5	Handle, Drawer	R04.16.533.00	1-4
6	Drawer Roller—Drawer (2 per drawer)	R04.16.500.00	2-8
7	Drawer Roller—Core (4 per drawer)	04.16.638.00	4-16
8	Temperature Monitor, Drum *	02.16.050.00	1-4
9	Knob, Temperature Control	05.30.047.00	1-4
10	Control Plate, Mechanical (standard)	07.01.179.00	1-4
11	Control Decal, Electronic (optional)	07.01.284.00	1-4
12	Complete Drawer Assembly, Standard (includes items 4-6)	R00.04.0003.00	1-4
	Complete Drawer Assembly, Narrow (includes items 4-6)	R00.04.0017.00	1-4
	Complete Drawer Assembly, Extended (includes items 4-6)	R00.04.0108.00	1-3
	Complete Biscuit Drawer Assembly, (includes items 4-6)	R00.04.0004.00	1-4
	Complete Oversized Drawer Assembly, (includes items 4-6)	R00.04.0005.00	1-4

Item	Description	Part No.	Qty.
13	Splash Baffle (optional) *	04.06.204.00	1-4
14	Water/Spillage Pan (optional) *	04.09.231.00	1-4
15	Chip Guard, Standard (optional) *	04.16.732.00	1-4
	Chip Guard, Narrow (optional) *	04.16.829.00	1-4
16	Power I/O (On/Off) Switch		
	120 V	R02.19.215.00	1-4
	100, 208, 220, and 240 V	02.19.178.00	1-4
17	Temperature Control, Mechanical, w/ Knob	R02.16.046.00	1-4
18	Temperature Control, Electronic (optional, includes item 3)		
	100 and 120 V	R02.01.222A.00	1-4
	208, 220, and 240 V	R02.01.295.00	1-4
19	Heating Element		
	HDW-x and HDW-xB Series		
	100 V	02.05.054T.00	1-4
	120 V	02.05.052T.00	1-4
	208 V	02.05.051T.00	1-4
	240 V	02.05.050E.00	1-4
	220 and 220-230 V	02.05.053E.00	1-4
	240 and 230-240 V	02.05.050E.00	1-4
	HDW-xN and HDW-xBN Series		
	100 V	02.05.509.00	1-4
	120 V	02.05.055.00	1-4
	208 V	02.05.056.00	1-4
	240 V	02.05.058E.00	1-4
	220 and 220-230 V	02.05.057E.00	1-4
	240 and 230-240 V	02.05.058E.00	1-4

...continued

Item	Description	Part No.	Qty.
20	Bracket, Probe	04.54.053.00	2-8
21	High Limit	02.16.036.00	1
22	Capacitor w/ Leads	02.13.365.00	1
23	EMI Filter	02.13.372.00	1
24	Power Cord		
	100 and 120 V	R02.18.030.00	1
	208 and 240 V	02.18.036.00	1
	220 and 220-230 V	02.18.038.00	1
	240 and 230-240 V	02.18.068.00	1
25	Bracket, Leg/Caster †	04.16.547.00	4
26	Bolt, Bracket	05.04.201.00	16
27	Legs, 4" †	05.30.007.00	4

Item	Description	Part No.	Qty.
28	Caster, 3" (optional) †	04.17.130.00	4
29	Bracket, Leg, 6" *	04.16.551.00	4
30	Legs, 6" (optional) *	04.16.488.00	4
31	Caster, 2" (optional) * †	04.16.635.00	2
32	Caster, 2", Locking (optional) * †	04.16.645.00	2
33	Caster, 4" (optional) *	04.26.004.00	4
34	Caster, 5" (optional) *	04.26.343.00	4
	Wiring Diagram		
	100 and 120 V	HS1-1996	
	208 and 240 V	HS1-2000	
	220, 240, 220-230, and 230-240 V	HS1-4518	

\* Not shown.

† Not available on HDW-4 models.

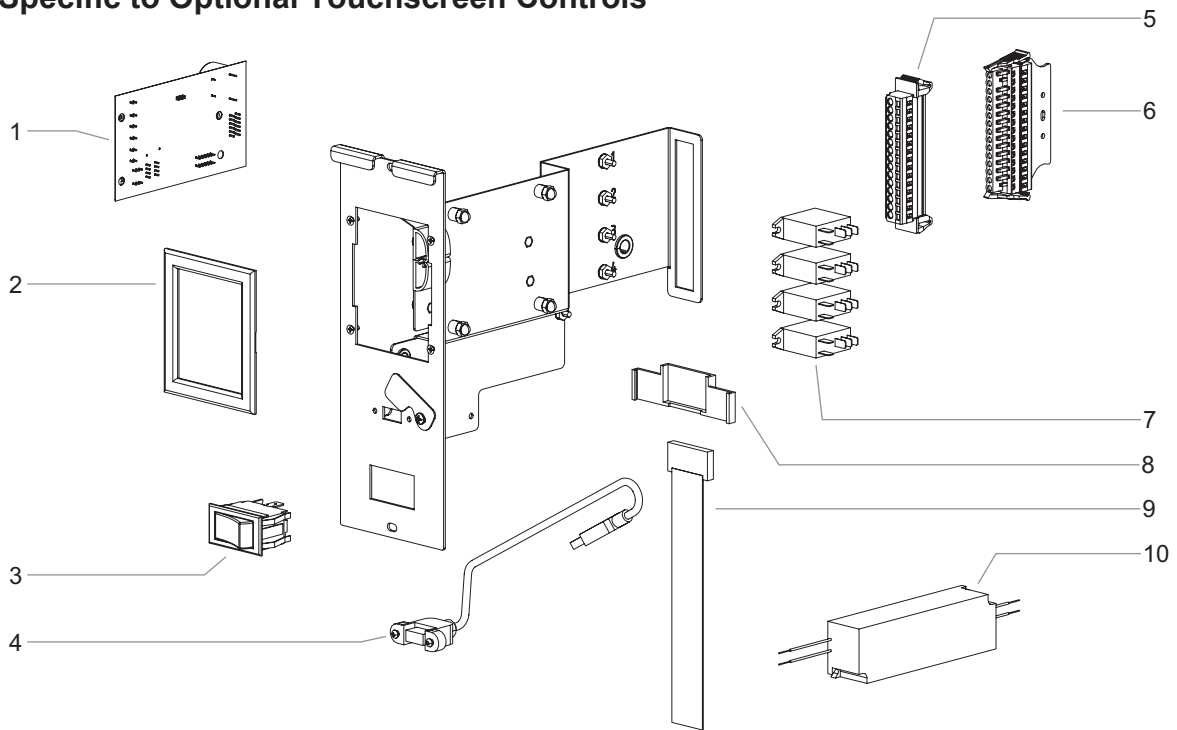
- Use P/N R00.02.0256.00 (Thermometer Kit) for units with a date code of 2310 or older.

The shaded areas contain information for **International models only**.

*NOTE: Quantities shown as a range (example = "4-16") are dependent upon the number of drawers in a unit.*

*NOTE: Items 25-34 not available for Built-In models.*

## Parts Specific to Optional Touchscreen Controls



Item	Description	Part No.	Qty.
1	Relay Board	02.01.467.00	1
2	Touchscreen Control		
	HDW-1 and HDW-1B	R02.01.448.18	1
	HDW-2 and HDW-2B	R02.01.448.17	1
	HDW-3 and HDW-3B	R02.01.448.24	1
	HDW-4 and HDW-4B	R02.01.448.25	1
3	Rocker Switch	02.19.215.00	1
4	USB Cable	02.20.515.00	1

Item	Description	Part No.	Qty.
5	Male Connector	02.14.221.00	1
6	Female Connector	02.14.222.00	1
7	Relay	02.01.459.00	4
8	Pin Connector Strap	02.20.592.00	1
9	Pin Connector	02.18.1080.00	1
10	LED Driver	02.01.345.00	1
	Wiring Diagram	10-01-1499	

*NOTE: The last four digits in a ten digit numerical serial number are the manufacturing date code.*

*Example: Serial number 9625062231 has a date code of "2231" which indicates the following: 2231*

Week Thirty-One  
Year 2022

# AUTHORIZED PARTS DISTRIBUTORS • DISTRIBUTEURS DE PIÈCES AUTORISÉS

## ALABAMA

Jones McLeod Appl. Svc.  
Birmingham 205-251-0159

## ARIZONA

Tech 24  
Phoenix 602-234-2443

Byassee Equipment Co.  
Phoenix 602-252-0402

## CALIFORNIA

Industrial Electric  
Commercial Parts & Service, Inc.  
Huntington Beach 714-379-7100

Chapman Appl. Service  
San Diego 619-298-7106

P & D Appliance  
Commercial Parts & Service, Inc.  
S. San Francisco 650-635-1900

## COLORADO

Hawkins Commercial Appliance  
Englewood 303-781-5548

## FLORIDA

Whaley Foodservice Repair  
Jacksonville 904-725-7800

Whaley Foodservice Repair  
Orlando 407-757-0851

B.G.S.I./Heritage  
Pompano Beach 954-971-0456

Comm. Appliance Service  
Tampa 813-663-0313

## GEORGIA

Heritage Service Group  
Norcross 866-388-9837

## HAWAII

Burney's Comm. Service, Inc.  
Honolulu 808-848-1466

Food Equip Parts & Service  
Honolulu 808-847-4871

## ILLINOIS

Parts Town  
Addison 708-865-7278

Eichenauer Elec. Service  
Decatur 217-429-4229

Midwest Elec. Appl. Service  
Elmhurst 630-279-8000

Cone's Repair Service  
Moline 309-797-5323

## IOWA

Goodwin Tucker Group  
Des Moines 515-262-9308

## KENTUCKY

Tech 24  
Lexington 859-254-8854

Tech 24  
Louisville 502-451-5411

## LOUISIANA

Chandlers Parts & Service  
Baton Rouge 225-272-6620

## MARYLAND

Electric Motor Service  
Baltimore 410-467-8080

## MASSACHUSETTS

Ace Service Co., Inc.  
Needham 781-449-4220

## MICHIGAN

Bildons Appliance Service  
Detroit 248-478-3320

Commercial Kitchen Service  
Bay City 989-893-4561

Midwest Food Equip. Service  
Grandville 616-261-2000

## MISSOURI

General Parts  
Kansas City 816-421-5400

Commercial Kitchen Services  
St. Louis 314-890-0700

Kaemmerlen Parts & Service  
St. Louis 314-535-2222

## NEBRASKA

Anderson Electric  
Omaha 402-341-1414

## NEVADA

Burney's Commercial  
Las Vegas 702-736-0006

Hi. Tech Commercial Service  
N. Las Vegas 702-649-4616

## NEW JERSEY

Jay Hill Repair  
Fairfield 973-575-9145

Service Plus  
Flanders 973-691-6300

## NEW YORK

Alpro Service Co.  
Maspeth 718-386-2515

Duffy's - AIS  
Buffalo 716-884-7425

3Wire  
Plattsburgh 800-634-5005

Duffy's - AIS  
Sauquoit 800-836-1014

J.B. Brady, Inc.  
Syracuse 315-422-9271

## NORTH CAROLINA

Authorized Appliance  
Charlotte 704-377-4501

## OHIO

Akron/Canton Comm. Svc. Inc.  
Akron 330-753-6634

Tech 24  
Cincinnati 513-772-6600

Commercial Parts and Service  
Columbus 614-221-0057

Electrical Appl. Repair Service  
Brooklyn Heights 216-459-8700

E. A. Wichman Co.  
Toledo 419-385-9121

## OKLAHOMA

Hagar Rest. Service, Inc.  
Oklahoma City 405-235-2184

## OREGON

General Parts Group  
Portland 503-624-0890

## PENNSYLVANIA

Elmer Schultz Services  
Philadelphia 215-627-5401

FAST Comm. Appl. Service  
Philadelphia 215-288-4800

AIS Commercial Parts and Service  
Pittsburgh 412-809-0244

K & D Service Co.  
Harrisburg 717-236-9039

Electric Repair Co.  
Reading 610-376-5444

## RHODE ISLAND

Marshall Electric Co.  
Providence 401-331-1163

## SOUTH CAROLINA

Whaley Foodservice Repair  
Lexington 803-996-9900

## TENNESSEE

Camp Electric  
Memphis 901-527-7543

Armstrong Repair Service  
Houston 713-666-7100

Cooking Equipment Specialist  
Mesquite 972-686-6666

Commercial Kitchen Repair Co.  
San Antonio 210-735-2811

## UTAH

La Monica's Rest. Equip. Service  
Murray 801-263-3221

## VIRGINIA

Daubers  
Norfolk 757-855-4097

Daubers  
Springfield 703-866-3600

## WASHINGTON

3Wire  
Seattle 800-207-3146

## WISCONSIN

A.S.C., Inc.  
Madison 608-246-3160

A.S.C., Inc.  
Milwaukee 414-543-6460

## CANADA

### ALBERTA

Key Food Equipment Service  
Edmonton 780-438-1690

### BRITISH COLUMBIA

Key Food Equipment Service  
Vancouver 604-433-4484

Key Food Equipment Service  
Victoria 250-920-4888

### MANITOBA

Air Rite, Inc.  
Winnipeg 204-895-2300

### NEW BRUNSWICK

EMR Services, Ltd.  
Moncton 506-855-4228

### ONTARIO

R.G. Henderson Ltd.  
Toronto 416-422-5580

Choquette - CKS, Inc.  
Ottawa 613-739-8458

### QUÉBEC

Choquette - CKS, Inc.  
Montreal 514-722-2000

Choquette - CKS, Inc.  
Québec City 418-681-3944

## UNITED KINGDOM

Marren Group  
Northants +44(0)1933 665313

### HATCO CORPORATION

P.O. Box 340500

Milwaukee, WI 53234-0500 U.S.A.

414-671-6350

partsandservice@hatcocorp.com

www.hatcocorp.com



24 Hour 7 Day Parts and Service Assistance available in the United States and Canada by calling 414-671-6350.