



Project \_\_\_\_\_

Item # \_\_\_\_\_

Quantity \_\_\_\_\_

# Ultra-Glo® Portable Foodwarmers

Models: UGFF, UGFFL, UGFFB, UGFFBL

Hatco Ultra-Glo® Portable Foodwarmers keep food hot at kitchen work areas, waitress pickup stations or customer serving points. Available in models and sizes to meet every food warming need.

## Standard features

- Ceramic heating elements provide more distance between the heat source and the holding pan
- The distance, combined with the compact element housing, makes it easier to access the product while maintaining proper food temperatures
- Models include heat above the food, with optional base heat
- Hatco can custom design portable foodwarmers to meet customer specifications or to fit an unusual situation
- UGFF and UGFFL include a pan skirt for 12" x 20" (305 x 508 mm) pans
- Factory pre-wired with a 6' (1829 mm) cord and plug



## Options (available at time of purchase only)

*Designer Colors* (One color per unit, heated base is not powdercoated) –

Clear Anodized Standard – Non-standard colors are non-returnable

- Warm Red     Black     Gray Granite     White Granite
- Navy Blue     Hunter Green     Antique Copper

*Gloss Finishes* (One color per unit, heated base is not powdercoated) – Clear Anodized Standard – Non-standard colors are non-returnable

- Gleaming Gold     Glossy Gray     Bold Black
- Radiant Red     Brilliant Blue

Halogen Bulb

## Accessories

5-Pleat Hardcoated French Fry Box Ribbon

8-Pleat Hardcoated French Fry Bag Ribbon

Food Holding Pans

Wire Trivets

Chef LED Bulb in lieu of Standard Display Light – bulb must be rotated down 120V

2700K Similar to warm incandescent light

3000K Similar to warm halogen light

4000K Similar to cool fluorescent light

230V – CE for input voltages above 200V

2700K Similar to warm incandescent light

3000K Similar to warm halogen light

4000K Similar to cool fluorescent light



IFS anti-microbial coatings use naturally-occurring, environmentally sustainable, silver ions to help inhibit the growth of microbes on the powder coated surface. See [www.hatcocorp.com/antimicrobial-paint](http://www.hatcocorp.com/antimicrobial-paint) for more information.



For operation, location and safety information, please refer to the Installation and Operating Manual.



HATCO CORPORATION | P.O. Box 340500 Milwaukee, WI 53234-0500 U.S.A. | (414) 671-6350

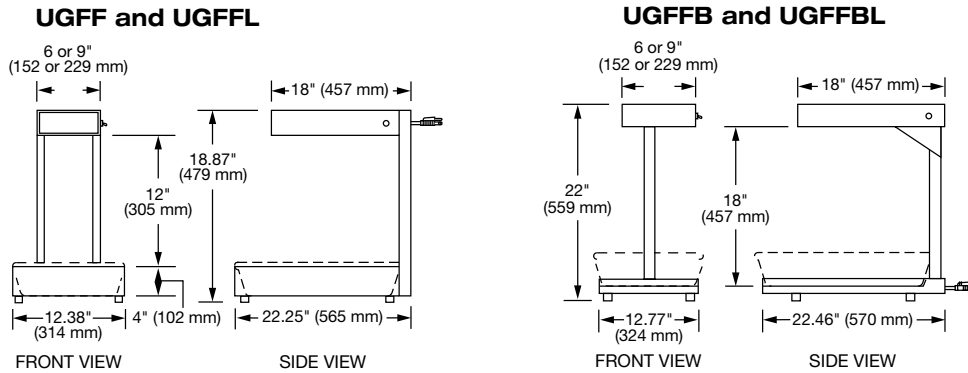


[www.hatcocorp.com](http://www.hatcocorp.com) | [support@hatcocorp.com](mailto:support@hatcocorp.com) | [Find a Hatco Rep](#) | [Image Library](#) | [Document Library](#) | [Patents](#) | [Chat](#)



# Ultra-Glo® Portable Foodwarmers

Models: UGFF, UGFFL, UGFFB, UGFFBL



## SPECIFICATIONS Ultra-Glo® Portable Foodwarmers

The shaded areas contain electrical information for International models only

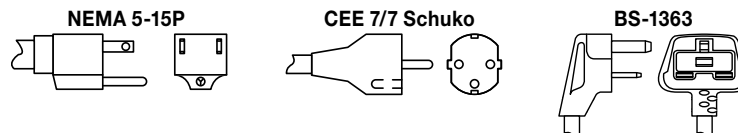
| Model  | Dimensions (Width x Depth x Height)           | Volts        | Phase  | Watts     | Amps    | Plug           | Approx. Ship Weight |
|--------|-----------------------------------------------|--------------|--------|-----------|---------|----------------|---------------------|
| UGFF   | 12.38" x 22.25" x 18.87" (314 x 565 x 479 mm) | 100          | Single | 625       | 6.3     | NEMA 5-15P     | 15 lbs. (7 kg)      |
|        |                                               | 120          |        | 750       | 6.3     | NEMA 5-15P     |                     |
|        |                                               | 220          |        | 630       | 2.8     | CEE 7/7 Schuko |                     |
|        |                                               | 240          |        | 750       | 3.1     | BS-1363        |                     |
|        |                                               | 220-230 (CE) |        | 630-689   | 2.9-3.0 | CEE 7/7 Schuko |                     |
|        |                                               | 230-240 (CE) |        | 689-750   | 3.0-3.1 | BS-1363        |                     |
| UGFFL  | 12.38" x 22.25" x 18.87" (314 x 565 x 479 mm) | 100          | Single | 708       | 7.1     | NEMA 5-15P     | 17 lbs. (9 kg)      |
|        |                                               | 120          |        | 870       | 7.3     | NEMA 5-15P     |                     |
|        |                                               | 220          |        | 730       | 3.3     | CEE 7/7 Schuko |                     |
|        |                                               | 240          |        | 870       | 3.6     | BS-1363        |                     |
|        |                                               | 220-230 (CE) |        | 730-799   | 3.3-3.5 | CEE 7/7 Schuko |                     |
|        |                                               | 230-240 (CE) |        | 799-870   | 3.5-3.6 | BS-1363        |                     |
| UGFFB  | 12.77" x 22.46" x 22" (324 x 570 x 559 mm)    | 100          | Single | 875       | 8.8     | NEMA 5-20P     | 25 lbs. (12 kg)     |
|        |                                               | 120          |        | 1000      | 8.3     | NEMA 5-15P     |                     |
|        |                                               | 220          |        | 840       | 3.8     | CEE 7/7 Schuko |                     |
|        |                                               | 240          |        | 1000      | 4.2     | BS-1363        |                     |
|        |                                               | 220-230 (CE) |        | 840-919   | 3.8-4.0 | CEE 7/7 Schuko |                     |
|        |                                               | 230-240 (CE) |        | 919-1000  | 4.0-4.2 | BS-1363        |                     |
| UGFFBL | 12.77" x 22.46" x 22" (324 x 570 x 559 mm)    | 100          | Single | 959       | 9.6     | NEMA 5-15P     | 34 lbs. (16 kg)     |
|        |                                               | 120          |        | 1120      | 9.3     | NEMA 5-15P     |                     |
|        |                                               | 220          |        | 940       | 4.3     | CEE 7/7 Schuko |                     |
|        |                                               | 240          |        | 1120      | 4.7     | BS-1363        |                     |
|        |                                               | 220-230 (CE) |        | 940-1029  | 4.3-4.5 | CEE 7/7 Schuko |                     |
|        |                                               | 230-240 (CE) |        | 1029-1120 | 4.5-4.7 | BS-1363        |                     |

Note: Models with "L" contain two incandescent lights. The housing is 9" (229 mm) wide versus 6" (152 mm) without lights.  
 Note: Models with "B" include a thermostatically pre-set heated base.

### CORD LOCATION

UGFF, UGFFL: Back, upper middle.  
 UGFFB, UGFFBL: Back, lower middle.

### PLUG CONFIGURATIONS



### PRODUCT SPECS Portable Foodwarmers

The Portable Foodwarmer shall be an Ultra-Glo® manufactured by the Hatco Corporation, Milwaukee, WI 53234 U.S.A.

The Foodwarmer shall be rated at ... watts, ... volts, single phase and be ... inches (millimeters) in overall width.

The Ultra-Glo shall consist of an aluminum housing and include a ceramic heating

element and a 6' (1829 mm) cord with plug attached. Options: *Designer Colors*, Gloss Finishes, Halogen Bulb. Accessories: Food holding pans, trivets, fry ribbons, Chef LED bulbs.

Warranty consists of 24/7 parts and service assistance (U.S. and Canada only).

HATCO CORPORATION | P.O. Box 340500 Milwaukee, WI 53234-0500 U.S.A. | (414) 671-6350



[www.hatcocorp.com](http://www.hatcocorp.com) | [support@hatcocorp.com](mailto:support@hatcocorp.com) | [Find a Hatco Rep](#) | [Image Library](#) | [Document Library](#) | [Patents](#) | [Chat](#)