



Project _____

Item # _____

Quantity _____

Glo-Ray® Fry Station Warmers

Ceramic Models:

GRFSC-18, GRFSCL-18, GRFSCR-18, GRFSCLR-18

Metal Sheathed Models:

GRFS-24, GRFSL-24, GRFSR-24, GRFSLR-24

Hatco Glo-Ray® Fry Station Warmers safely keep fried foods at optimum serving temperatures. Heating elements direct Glo-Ray's pre-focused heat without continuing to cook or dry out the food.

Standard features

- Designed with a swing-away post mount, on-off toggle switch, and attached cord with plug
- Pre-focused heat maintains safe serving temperatures longer
- Built-in top heat source features a swing-away post mount
- Models containing metal sheathed heating elements are available with 10", 11", 12", or 13" (254, 279, 305, or 330 mm) clearance above holding area
- Models with ceramic elements have 16.75", 18", or 20" (425, 457, or 508 mm) clearance above holding area
- Easy installation
- Models with an "R" are without cord and plug, UL recognized and primarily used by fabricators or UL approved facilities
- Models with "L" contain two incandescent lights



GRFSCL-18
Swing-away post mount

Options (available at time of purchase only)

- Halogen Bulb in lieu of Standard Display Light
- Infinite Control (GRFS and GRFSL models only)

Accessories

Chef LED Bulb in lieu of Standard Display Light – bulb must be rotated down 120V

- 2700K Similar to warm incandescent light
- 3000K Similar to warm halogen light
- 4000K Similar to cool fluorescent light

230V – CE for input voltages above 200V

- 2700K Similar to warm incandescent light
- 3000K Similar to warm halogen light
- 4000K Similar to cool fluorescent light



For operation, location and safety information, please refer to the Installation and Operating Manual.



HATCO CORPORATION | P.O. Box 340500 Milwaukee, WI 53234-0500 U.S.A. | (414) 671-6350

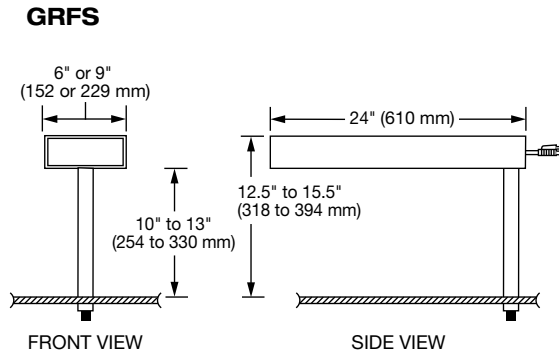
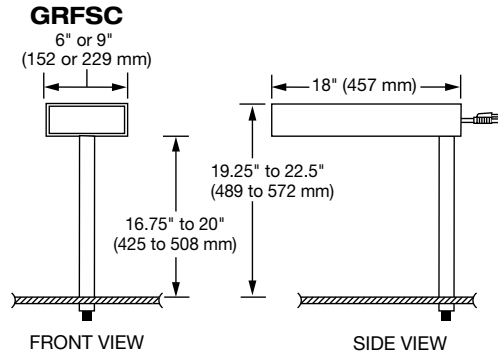


www.hatcocorp.com | support@hatcocorp.com | [Find a Hatco Rep](#) | [Image Library](#) | [Document Library](#) | [Patents](#) | [Chat](#)



Glo-Ray® Fry Station Warmers

Models: GRFSC-18, GRFSCL-18, GRFSCR-18, GRFSCLR-18, GRFS-24, GRFSL-24, GRFSR-24, GRFSLR-24



SPECIFICATIONS - Glo-Ray® Fry Station Warmers Ceramic Elements

When ordering, specify clearance of: 16.75", 18" (Standard), or 20" (425, 457 (Standard), or 508 mm)

Model L Dimensions (W x D x H)	Volts Single Phase	Watts	Amps	Plug	Approx. Ship Weight
GRFSC-18 6" x 18" x 19.25"-22.5" (152 x 457 x 489-572 mm)	120	750	6.3	NEMA 5-15P	11 lbs. (5 kg)
	220	630	2.9	CEE 7/7 Schuko	
	240	750	3.1	BS-1363	
	220-230 (CE)	630-689	2.9-3.0	CEE 7/7 Schuko	
	230-240 (CE)	689-750	3.0-3.1	BS-1363	
GRFSCL-18 9" x 18" x 19.25"-22.5" (229 x 457 x 489-572 mm)	120	870	7.3	NEMA 5-15P	13 lbs. (6 kg)
	220	730	3.3	CEE 7/7 Schuko	
	240	870	3.6	BS-1363	
	220-230 (CE)	730-799	3.3-3.5	CEE 7/7 Schuko	
GRFSCR-18* 6" x 18" x 19.25"-22.5" (152 x 457 x 489-572 mm)	120	750	6.3	-	12 lbs (5 kg)
	220	630	2.9		
	240	750	3.1		
	220-230 (CE)	630-689	2.9-3.0		
GRFSCLR-18* 9" x 18" x 19.25"-22.5" (229 x 457 x 489-572 mm)	120	870	7.3	-	13 lbs (6 kg)
	220	730	3.3		
	240	870	3.6		
	220-230 (CE)	730-799	3.3-3.5		
	230-240 (CE)	799-870	3.5-3.6		

Metal Sheathed Elements

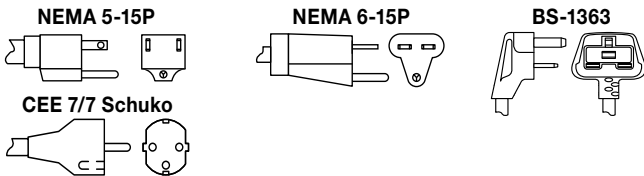
When ordering, specify clearance of: 10", 11", 12", or 13" (Standard) (254, 279, 305, or 330 mm (Standard))

Model L Dimensions (W x D x H)	Volts Single Phase	Watts	Amps	Plug	Approx. Ship Weight
GRFS-24 6" x 24" x 12.5"-15.5" (152 x 610 x 318-394 mm)	120	500	4.2	NEMA 5-15P	10 lbs. (5 kg)
	208		2.4	NEMA-6-15P	
	220		2.3	CEE 7/7 Schuko	
	240	2.1	BS-1363		
	220-230 (CE)	500-547	2.3-2.4	CEE 7/7 Schuko	
	230-240 (CE)	459-500	2.0-2.1	BS-1363	
GRFSL-24 9" x 24" x 12.5"-15.5" (229 x 610 x 318-394 mm)	120	620	5.2	NEMA 5-15P	13 lbs. (6 kg)
	220	592	2.7	CEE 7/7 Schuko	
	240	608	2.5	BS-1363	
	220-230 (CE)	600-656	2.7-2.9	CEE 7/7 Schuko	
GRFSR-24* 6" x 24" x 12.5"-15.5" (152 x 610 x 318-394 mm)	120	500	4.2	-	10 lbs. (5 kg)
	208		2.4		
	240		2.1		
	220	2.3			
	240	2.1			
	220-230 (CE)	500-547	2.3-2.4		
GRFSLR-24* 9" x 24" x 12.5"-15.5" (229 x 610 x 318-394 mm)	120	620	5.2	-	13 lbs. (6 kg)
	120/208		3.4		
	120/220		3.1		
	220	600	2.7		
	240	620	2.6		
	220-230 (CE)	600-657	2.7-2.9		
	230-240 (CE)	569-620	2.5-2.6		

CORD LOCATION

Back, upper middle.

PLUG CONFIGURATIONS



PRODUCT SPECS - Fry Station Warmers

The Fry Station Warmers shall be a Glo-Ray® manufactured by the Hatco Corporation, Milwaukee, WI 53234 U.S.A.

The Fry Holding Station Warmers shall be rated at ... watts, ... volts, and be ... inches (millimeters) in overall width. It shall consist of either a stainless steel housing or an

aluminum housing with ceramic or metal sheathed heating elements. Portable warmer features wire guards, shatter-resistant incandescent display lights, a lighted on-off switch, and 6' (1829 mm) cord and plug. Options: Halogen Bulb, Infinite Control. Accessories: Chef LED Bulbs.

Warranty consists of 24/7 parts and service assistance (U.S. and Canada only).

HATCO CORPORATION | P.O. Box 340500 Milwaukee, WI 53234-0500 U.S.A. | (414) 671-6350



www.hatcocorp.com | support@hatcocorp.com | [Find a Hatco Rep](#) | [Image Library](#) | [Document Library](#) | [Patents](#) | [Chat](#)