



Project \_\_\_\_\_

Item # \_\_\_\_\_

Quantity \_\_\_\_\_

# Intelligent Heated Display Cabinet with Humidity

Models: IHDCH-28, -45

Hatco's Intelligent Heated Display Cabinet with Humidity is the perfect way to showcase your pizzas and more. Regulating air temperature while at the same time balancing the humidity level provides the best environment for food products. With 360° viewing, and LED lighting, your food is guaranteed to get all the attention.

## Standard features

- The IHDCH-28, our NEW half-size cabinet, has an option for a full door in the front, allowing self-service for customers
- Air flow pattern is designed to maintain consistent cabinet temperature without drying out food
- Air flow system enables the cabinet to recover temperature rapidly after opening and closing a door
- LCD touchscreen display on back of unit controls temperature, humidity and up to eight timers for each food location
- USB port in back of unit makes it easy to establish standard, pre-programmed settings for consistency and reliability
- Adjustable arms or shelves (IHDCH-28 only) can move up and down the back supports
  - IHDCH-28 unit can hold up to three shelves, four pizza arms, or a combination (see chart below)
  - IHDCH-45 unit can hold up to six pizza arms, up to three shelves, or a combination of both (see chart below)
- Arms
  - IHDCH-28 will hold a maximum 22" (558 mm) pizza pan
  - IHDCH-45 diameter can open up to 19.5" (495 mm) and can hold up to 8.5 lbs. (365 kg)
- Energy efficient LED lighting illuminates food display
- Lighted Power On/Off (I/O) switch
- Stainless steel construction and stainless steel finish



IHDCH-28 with accessory arms and shelf



IHDCH-45 with accessory shelves and optional front French doors

## Options (available at time of purchase only)

- Designer Colors** – Non-standard colors are non-returnable
- Stainless Steel standard
  - Unit in *Designer Black*
  - Four Adjustable Arms in *Designer Black* in lieu of Stainless Steel arms (IHDCH-45 only)
- Inside base in *Designer Black* in lieu of Stainless Steel base
- IHDCH-28  IHDCH-45
  - Front, swing out, self closing door (IHDCH-28 only)
    - Non-standard colors are non-returnable - Stainless Steel standard - left-hand hinge standard -
    - Designer Black*
  - Front, self closing French Doors (IHDCH-45 only)
    - Non-standard colors are non-returnable - Stainless Steel standard -
    - Designer Black*

## Accessories

- Adjustable Arm for IHDCH-28
  - in Stainless Steel  in *Designer Black*
- Shelf for IHDCH-28
  - in Stainless Steel  in *Designer Black*
- Adjustable Arm for IHDCH-45
  - in Stainless Steel  in *Designer Black*
- Shelf for IHDCH-45
  - in Stainless Steel  in *Designer Black*
- Riser (12" diameter x 1.25" H [32 mm])
  - in Stainless Steel  in *Designer Black*
- Front Door Lock (IHDCH-28 only)
- Reverse Osmosis System with storage tank (EVERPURE model LVRO-75HE)
- Water Pressure Regulator Kit (regulator, gauge and shut-off valve)
- Sign Holders (signs not included) – recommended sign size: 2" x 3.5"
  - Sits on base of unit in Stainless Steel
  - Sits on base of unit in *Designer Black*
  - Customer left-hand side in Stainless Steel (clips onto Arm)
  - Customer left-hand side in *Designer Black* (clips onto Arm)
  - Customer right-hand side in Stainless Steel (clips onto Arm)
  - Customer right-hand side in *Designer Black* (clips onto Arm)

On all Intelligent Heated Display Cabinet Models customers must purchase arms and shelves separately to their own specifications.

Below are the options available to combine the shelves and arms

### IHDCH-28

- 4 Arms
- 3 Shelves
- 1 Shelf with 1 Pizza Arm
- 1 Shelf with 2 Pizza Arms
- 2 Shelves with 1 Pizza Arm

### IHDCH-45

- 6 Arms
- 3 Slanted Shelves
- 1 Shelf with 2 Pizza Arms
- 1 Shelf with 4 Pizza Arms
- 2 Shelves with 2 Pizza Arms

• IFS anti-microbial coatings use naturally-occurring, environmentally sustainable, silver ions to help inhibit the growth of microbes on the powder coated surface. See [www.hatcocorp.com/antimicrobial-paint](http://www.hatcocorp.com/antimicrobial-paint) for more information.

For operation, location and safety information, please refer to the Installation and Operating Manual.



HATCO CORPORATION

P.O. Box 340500 Milwaukee, WI 53234-0500 U.S.A. | (414) 671-6350



[www.hatcocorp.com](http://www.hatcocorp.com)

[support@hatcocorp.com](mailto:support@hatcocorp.com)

[Find a Hatco Rep](#)

[Image Library](#)

[Document Library](#)

[Patents](#)

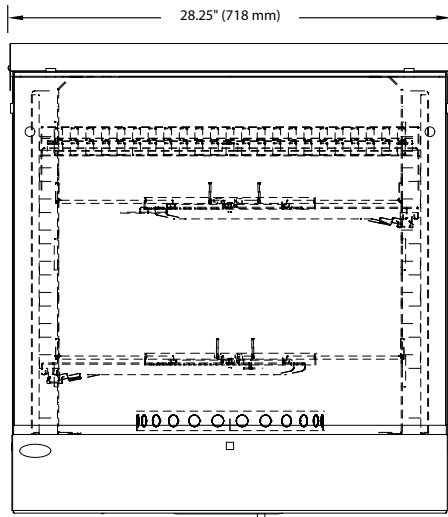
[Chat](#)



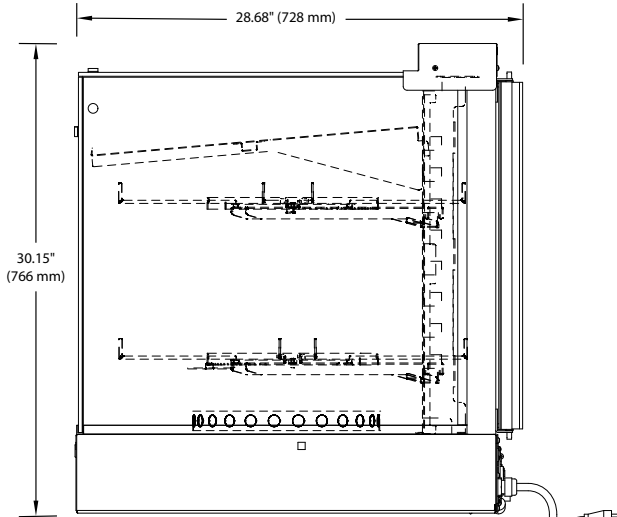
# Intelligent Heated Display Cabinet with Humidity

Models: IHDCH-28, -45

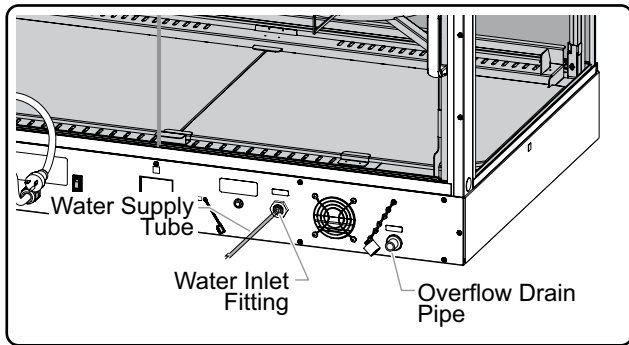
IHDCH-28



FRONT VIEW



SIDE VIEW



A water strainer, water filter and 15 feet of plastic tubing is included with the unit to install on the water supply line before it enters the unit.

### WATER QUALITY REQUIREMENTS

Water supply in excess of 3.0 grains of hardness per gallon (GPG) (.75 grains of hardness per liter) must be treated and softened before being used. Water containing over 3.0 GPG (.75 GPL) will decrease the efficiency and reduce the operating life of the unit.

**Note: Product failure caused by liming or sediment buildup is not covered under warranty.**

### SPECIFICATIONS

#### Intelligent Heated Display Cabinet with Humidity

Model	Dimensions (W x D x H)	Cabinet Opening (W x H)	Volts	Hz	Watts	Amps	Plug	Approx. Ship Weight
IHDCH-28	28.25" x 28.68" x 30.15" (718 x 728 x 766 mm)	22" x 20.7" (558 x 525 mm)	208	50/60	3090	14.9	NEMA 6-20P	220 lbs. (100 kg)
			240			12.9		
			220-240		2596-3090	11.8-12.8	CEE 7/7 Schuko, BS-1363	

### CORD LOCATION

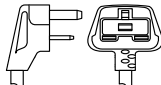
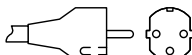
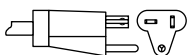
Servers side, lower left corner.

### PLUG CONFIGURATIONS

NEMA 6-20P

CEE 7/7 Schuko

BS-1363



HATCO CORPORATION

P.O. Box 340500 Milwaukee, WI 53234-0500 U.S.A. | (414) 671-6350



[www.hatcocorp.com](http://www.hatcocorp.com)

[support@hatcocorp.com](mailto:support@hatcocorp.com)

[Find a Hatco Rep](#)

[Image Library](#)

[Document Library](#)

[Patents](#)

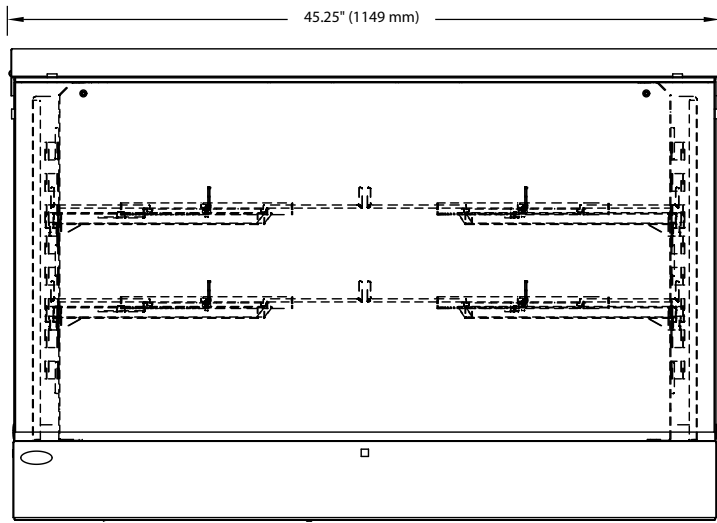
[Chat](#)



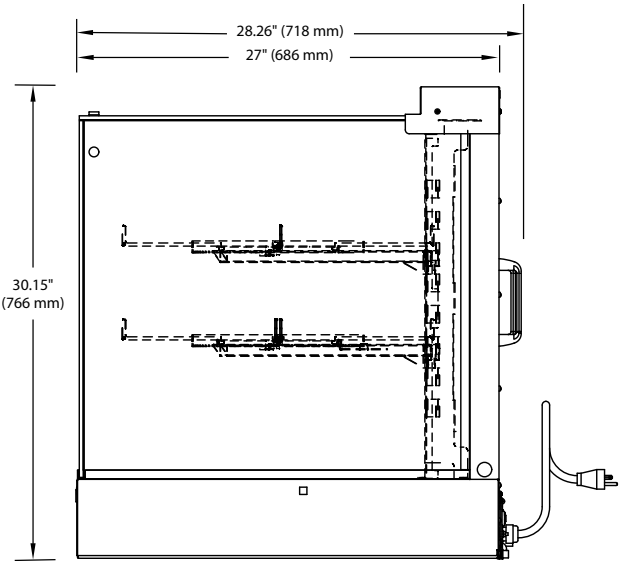
# Intelligent Heated Display Cabinet with Humidity

Model: IHDCCH-28, -45

## IHDCH-45



FRONT VIEW



SIDE VIEW

## SPECIFICATIONS

### Intelligent Heated Display Cabinet with Humidity

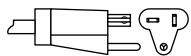
Model	Dimensions (W x D x H)	Cabinet Opening (W x H)	Volts	Hz	Watts	Amps	Plug	Approx. Ship Weight
IHDCH-45	45" x 28.29" x 30.15" (1143 x 718 x 766 mm)	18" x 20.87" (457 x 530 mm)	208	50/60	3090	14.9	NEMA 6-20P	270 lbs. (122 kg)
			240			12.9		
			220-240		2596-3090	11.8-12.8	CEE 7/7 Schuko, BS-1363	

## CORD LOCATION

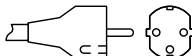
Servers side, lower left corner.

## PLUG CONFIGURATIONS

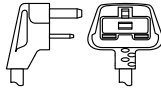
### NEMA 6-20P



### CEE 7/7 Schuko



### BS-1363



## WATER QUALITY REQUIREMENTS

Incoming water in excess of 3.0 grains of hardness per gallon (GPG) (.75 grains of hardness per liter) must be treated and softened before being supplied to unit(s). Water containing over 3.0 GPG (.75 GPL) will decrease the efficiency and reduce the operating life of the unit.

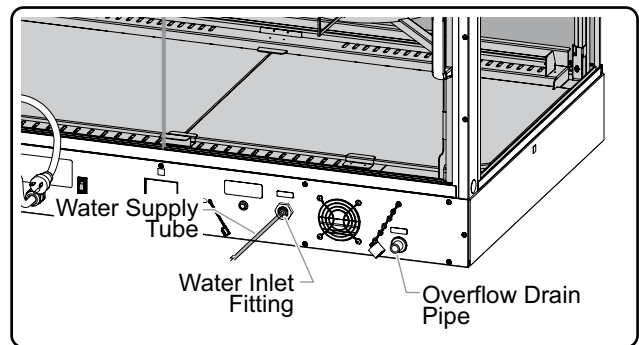
**Note: Product failure caused by liming or sediment buildup is not covered under warranty.**

## PRODUCT SPECS

### Intelligent Heated Display Cabinets with Humidity

The Intelligent Heated Display Cabinet with Humidity shall be a Model ..., rated at ... volts and ... watts, as manufactured by the Hatco Corporation, Milwaukee, WI 53234 U.S.A.

The Display Cabinet shall have ... tempered glass top, front and end panels, removeable and adjustable support arms, LCD touch screen controls, timers for 6



A water strainer, water filter and 15 feet of plastic tubing is included with the unit to install on the water supply line before it enters the unit.

to 8 pan locations, USB connection, removable floor sheets, crumb trays under air vents, LED lighting and a 6' (1829 mm) cord with plug attached.

Accessories shall include adjustable arms, shelves, risers, reverse osmosis system with water filter and strainer, water pressure regulator kit and sign holders.

Warranty consists of 24/7 parts and service assistance (US and Canada only).

HATCO CORPORATION

P.O. Box 340500 Milwaukee, WI 53234-0500 U.S.A. | (414) 671-6350



[www.hatcocorp.com](http://www.hatcocorp.com)

[support@hatcocorp.com](mailto:support@hatcocorp.com)

[Find a Hatco Rep](#)

[Image Library](#)

[Document Library](#)

[Patents](#)

[Chat](#)