



Project _____

Item # _____

Quantity _____

Heated Well Covers

Models: 1COVFUL

2COVFUL

The Hatco Heated Well Covers establish versatility for hot food bars by converting our Modular/Ganged Heated Wells or Modular/Ganged Slim Heated Wells into heated shelves. The Heated Well Covers are designed to sit on top of the modular unit – with accessory food pans removed for the most efficiency – to create a heated space for operators to hold prepackaged, preheated foods at safe-serving temperatures for self-serve purposes.

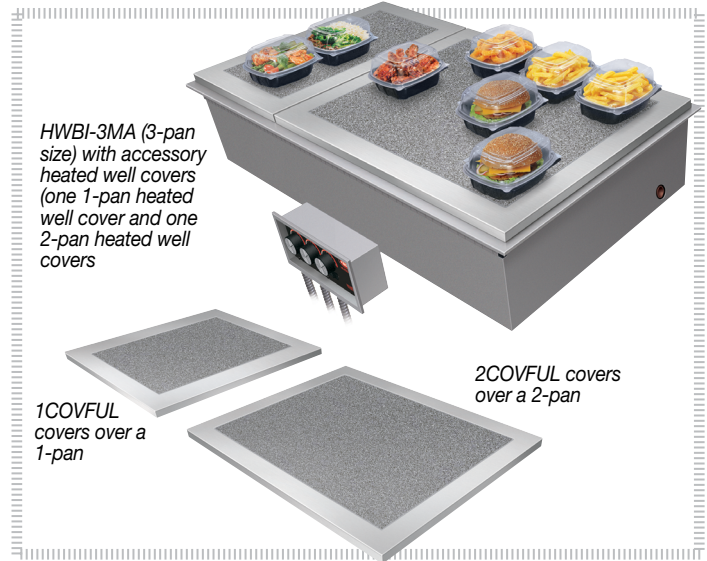
Standard features

- Must be operated in dry mode
- Sturdy stainless steel frame and simulated stone inset
- Available with your choice of three simulated stone surfaces
- Heated well covers for the Modular/Ganged Heated Wells and Modular/Ganged Slim Heated Wells (Choose the number of heated well covers for your appropriate pan size in either 1 or 2-pan sizes)

Examples of Heated Well Cover Combinations Per HWBI Series

Model Series	Using only:	Model Series	Using both:	
	1COVFUL		1COVFUL	2COVFUL
HWBI-1	1	HWBI-1	1	—
HWBI-2, -S2	2	HWBI-2	—	1
HWBI-3, -S3	3	HWBI-3	1	1
HWBI-4, -S4	4	HWBI-4	—	2
HWBI-5	5	HWBI-5	1	2
HWBI-6	6	HWBI-6	—	3

Choice of simulated stone (Swanstone®) Gray Granite, Bermuda Sand or Night Sky



Options (available at time of purchase only)

- Heated Well Covers with simulated stone inset (use only in dry mode):
- 1 Pan Well Cover (14" [356 mm] W x 22" [559 mm] D x 2" H [51mm]):
 - Night Sky Gray Granite Bermuda Sand
 - 2 Pan Well Cover (28" [711 mm] W x 22" [559 mm] D x 2" H [51mm]):
 - Night Sky Gray Granite Bermuda Sand



HATCO CORPORATION | P.O. Box 340500 Milwaukee, WI 53234-0500 U.S.A. | (414) 671-6350



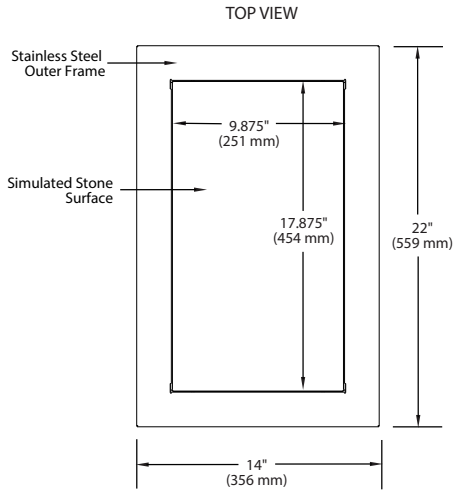
www.hatcocorp.com | support@hatcocorp.com | [Find a Hatco Rep](#) | [Image Library](#) | [Document Library](#) | [Patents](#) | [Chat](#)



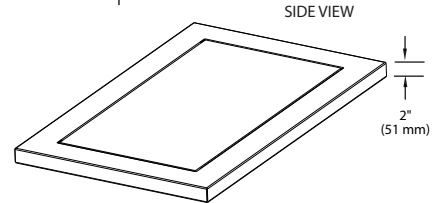
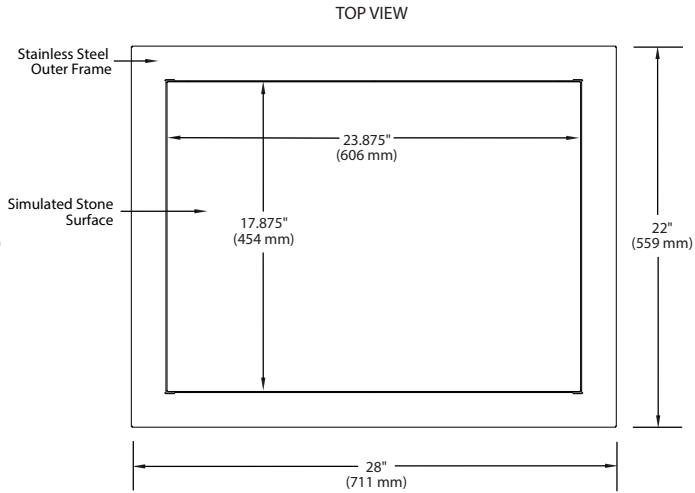
Heated Well Covers

Models: 1COVFUL, 2COVFUL

1COVFUL



2COVFUL



SPECIFICATIONS

Heated Well Covers for Modular/Ganged or Modular/Ganged Slim Heated Wells

Model	Dimensions (Width x Depth x Height)	Simulated Stone Dimensions (Width x Depth x Height)	Approx. Ship Weight
1COVFUL	14" x 22" x 2" (356 mm x 559 mm x 51 mm)	9.875" x 17.875" x (251 mm x 454 mm)	6.5 lbs. (3 kg)
2COVFUL	28" x 22" x 2" (711 mm x 559 mm x 51 mm)	23.875" x 17.875" (606 mm x 454 mm)	12.5 lbs. (6 kg)

PRODUCT SPECS Heated Well Cover

The Accessory shall be a Heated Well Covers for Modular/Ganged or Modular/Ganged Slim Heated Wells, manufactured by the Hatco Corporation, Milwaukee, WI 53234 U.S.A.

The Accessory shall be a Heated Well Cover ... , rated at ... watts, ... volts, single phase, and be ... inches (millimeters) in overall width.

The accessory shall be factory-assembled ready for installation with simulated stone inset and stainless steel frame.

Warranty consists of 24/7 parts and service assistance (US and Canada only).

HATCO CORPORATION | P.O. Box 340500 Milwaukee, WI 53234-0500 U.S.A. | (414) 671-6350



www.hatcocorp.com | support@hatcocorp.com | [Find a Hatco Rep](#) | [Image Library](#) | [Document Library](#) | [Patents](#) | [Chat](#)