



Project _____

Item # _____

Quantity _____

R-290 Cold Shelves Built-In Flush Top

Models:

CSBFP-24-F, -24-I, -24-S, -36-F, -36-I, -36-S, -48-F, -48-I, -48-S

Hatco's R-290 Cold Shelves Built-In Flush Top, in our signature aluminum hardcoat, are designed to keep your pre-chilled beverages, hors d'oeuvres, side dishes, buffet items and more, perfectly chilled.

Standard features

- CSBFP models include an attached condenser, which utilizes an environmentally friendly R-290 refrigerant, and control box
- Patented thermal break reduces condensation and temperature transfer on adjacent surfaces
- All units have an Electronic Temperature Control Box with a 4' (1219 mm) lead wire (Standard)
- All models are top mounted with a hardcoat aluminum surface
- All models match the GRSBF Heated Built-In Shelves for a fully integrated look
- All models not available with CE Mark



For operation, location and safety information, please refer to the Installation and Operating Manual.



COMPONENT



(For 120V only)

HATCO CORPORATION

P.O. Box 340500 Milwaukee, WI 53234-0500 U.S.A. | (414) 671-6350



www.hatcocorp.com

support@hatcocorp.com

[Find a Hatco Rep](#)

[Image Library](#)

[Document Library](#)

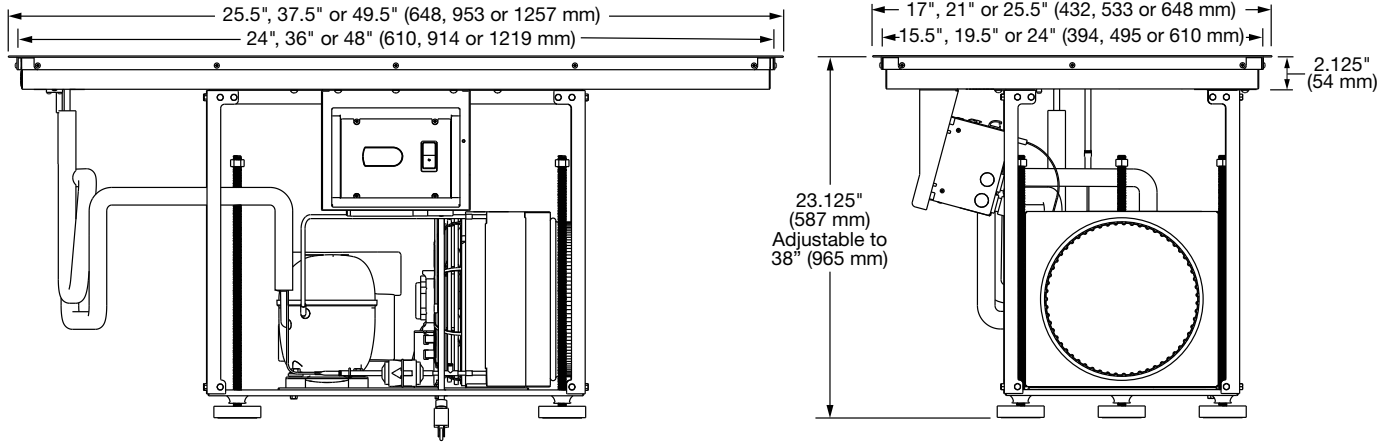
[Patents](#)

[Chat](#)



R-290 Cold Shelves Built-In Flush Top

Models: CSBFP-24-F, -24-I, -24-S, -36-F, -36-I, -36-S, -48-F, -48-I, -48-S



COUNTERTOP CUTOUT DIMENSIONS

See [Installation and Operating Manual](#) for more information

Model	Width		Depth	
	Minimum	Maximum	Minimum	Maximum
CSBFP-24-F	24.6" (625 mm)	25.0" (635 mm)	16.125" (409 mm)	16.5" (419 mm)
CSBFP-24-I	24.6" (625 mm)	25.0" (635 mm)	20.125" (511 mm)	20.5" (521 mm)
CSBFP-24-S	24.6" (625 mm)	25.0" (635 mm)	24.6" (625 mm)	25.0" (635 mm)
CSBFP-36-F	36.6" (930 mm)	37.0" (940 mm)	16.125" (409 mm)	16.5" (419 mm)
CSBFP-36-I	36.6" (930 mm)	37.0" (940 mm)	20.125" (511 mm)	20.5" (521 mm)
CSBFP-36-S	36.6" (930 mm)	37.0" (940 mm)	24.6" (625 mm)	25.0" (635 mm)
CSBFP-48-F	48.6" (1234 mm)	49.0" (1245 mm)	16.125" (409 mm)	16.5" (419 mm)
CSBFP-48-I	48.6" (1234 mm)	49.0" (1245 mm)	20.125" (511 mm)	20.5" (521 mm)
CSBFP-48-S	48.6" (1234 mm)	49.0" (1245 mm)	24.6" (625 mm)	25.0" (635 mm)

HATCO CORPORATION

P.O. Box 340500 Milwaukee, WI 53234-0500 U.S.A. | (414) 671-6350



www.hatcocorp.com

support@hatcocorp.com

[Find a Hatco Rep](#)

[Image Library](#)

[Document Library](#)

[Patents](#)

[Chat](#)



R-290 Cold Shelves Built-In Flush Top

Models: CSBFP-24-F, -24-I, -24-S, -36-F, -36-I, -36-S, -48-F, -48-I, -48-S

SPECIFICATIONS

R-290 Cold Shelves Built-In Flush Top

The shaded areas contain electrical information for International models

Model	Overall Dimensions [‡] W x D x H	Usable Shelf Space W x D	Compressor Size HP	Voltage*	Watts	Amps	Hz	Total Heat of Rejection (BTU/Hr)	Plug	Approx. Ship Weight
CSBFP-24-F	25.5" x 17" x 23.125" (648 x 432 x 587 mm)	24" x 15.5" (610 x 394 mm)	1/5	120	345	5.2	60	1852	NEMA 5-15P	108 lbs. (49 kg)
				220	333	3.0	50	2026	CEE 7-7 Schuko, BS-1363, AS3112	
				230	364	3.2				
			1/3	240	396	3.3	60	2026	CEE 7-7 Schuko, BS-1363	
				220	333	3.0				
				230	364	3.2				
CSBFP-24-I	25.5" x 21" x 23.125" (648 x 533 x 587 mm)	24" x 19.5" (610 x 495 mm)	1/5	120	345	5.2	60	1992	NEMA 5-15P	116 lbs. (53 kg)
				220	333	3.0	50	2166	CEE 7-7 Schuko, BS-1363, AS3112	
				230	364	3.2				
			1/3	240	396	3.3	60	2166	CEE 7-7 Schuko, BS-1363	
				220	333	3.0				
				230	364	3.2				
CSBFP-24-S	25.5" x 25.5" x 23.125" (648 x 648 x 587 mm)	24" x 24" (610 x 610 mm)	1/5	120	345	5.2	60	2150	NEMA 5-15P	124 lbs. (56 kg)
				220	333	3.0	50	2324	CEE 7-7 Schuko, BS-1363, AS3112	
				230	364	3.2				
			1/3	240	396	3.3	60	2324	CEE 7-7 Schuko, BS-1363	
				220	333	3.0				
				230	364	3.2				
CSBFP-36-F	37.5" x 17" x 23.125" (953 x 432 x 587 mm)	36" x 15.5" (914 x 394 mm)	1/5	120	345	5.2	60	2123	NEMA 5-15P	121 lbs. (55 kg)
				220	333	3.0	50	2297	CEE 7-7 Schuko, BS-1363, AS3112	
				230	364	3.2				
			1/3	240	396	3.3	60	2297	CEE 7-7 Schuko, BS-1363	
				220	333	3.0				
				230	364	3.2				
CSBFP-36-I	37.5" x 21" x 23.125" (953 x 533 x 587 mm)	36" x 19.5" (914 x 495 mm)	1/3	120	440	6.5	60	2609	NEMA 5-15P	137 lbs. (62 kg)
				220	333	3.0	50	2459	CEE 7-7 Schuko, BS-1363, AS3112	
				230	364	3.2				
			3/8	240	396	3.3	60	2459	CEE 7-7 Schuko, BS-1363	
				220	333	3.0				
				230	364	3.2				
CSBFP-36-S	37.5" x 25.5" x 23.125" (953 x 648 x 587 mm)	36" x 24" (914 x 610 mm)	1/3	120	440	6.5	60	2821	NEMA 5-15P	151 lbs. (69 kg)
				220	333	3.0	50	2671	CEE 7-7 Schuko, BS-1363, AS3112	
				230	364	3.2				
			3/8	240	396	3.3	60	2671	CEE 7-7 Schuko, BS-1363	
				220	333	3.0				
				230	364	3.2				
CSBFP-48-F	49.5" x 17" x 23.125" (1257 x 432 x 587 mm)	48" x 15.5" (1219 x 394 mm)	1/3	120	440	6.5	60	2664	NEMA 5-15P	138 lbs. (63 kg)
				220	333	3.0	50	2514	CEE 7-7 Schuko, BS-1363, AS3112	
				230	364	3.2				
			3/8	240	396	3.3	60	2514	CEE 7-7 Schuko, BS-1363	
				220	333	3.0				
				230	364	3.2				
CSBFP-48-I	49.5" x 21" x 23.125" (1257 x 533 x 587 mm)	48" x 19.5" (1219 x 495 mm)	1/3	120	440	6.5	60	2915	NEMA 5-15P	157 lbs. (71 kg)
				220	333	3.0	50	2765	CEE 7-7 Schuko, BS-1363, AS3112	
				230	364	3.2				
			3/8	240	396	3.3	60	2765	CEE 7-7 Schuko, BS-1363	
				220	333	3.0				
				230	364	3.2				
CSBFP-48-S	49.5" x 25.5" x 23.125" (1257 x 648 x 587 mm)	48" x 24" (1219 x 610 mm)	1/2	120	560	9.3	60	4318	NEMA 5-15P	177 lbs. (80 kg)
				220	454	4.1	50	4250	CEE 7-7 Schuko, BS-1363, AS3112	
				230	496	4.3				
			1/2	240	540	4.5	60	4373	CEE 7-7 Schuko, BS-1363	
				220	484	4.4				
				230	529	4.6				
5/8	240	576	4.8							

* All voltages are non-CE.

‡ Height is adjustable up to 38" (965 mm).

HATCO CORPORATION

P.O. Box 340500 Milwaukee, WI 53234-0500 U.S.A. | (414) 671-6350



www.hatcocorp.com

support@hatcocorp.com

[Find a Hatco Rep](#)

[Image Library](#)

[Document Library](#)

[Patents](#)

[Chat](#)



R-290 Cold Shelves Built-In Flush Top

Models: CSBFP-24-F, -24-I, -24-S, -36-F, -36-I, -36-S, -48-F, -48-I, -48-S

R-290 REFRIGERANT OPERATING SPECIFICATIONS IN 75°F (24°C) AMBIENT



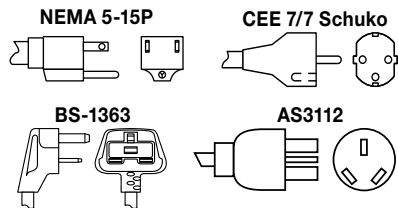
(Refer to the Installation section in the Installation and Operating Manual on the Hatco website)

- Suction Pressure: 13-23 PSIG (0.9-1.6 Bar)
- Discharge Pressure: 140-180 PSIG (9.7-12.4 Bar)
- Superheat: 4-10° F (2.2 to 5.6°C)
- Subcooling: 5-10° F (2.8 to 5.6°C)

FACTORY FILL RATES for R-290 REFRIGERANT

Model	Fill Weight
CSBFP-24-F	3.5 oz. (0.099 kg)
CSBFP-24-I	3.6 oz. (0.102 kg)
CSBFP-24-S	3.7 oz. (0.105 kg)
CSBFP-36-F	3.7 oz. (0.105 kg)
CSBFP-36-I	3.8 oz. (0.108 kg)
CSBFP-36-S	3.9 oz. (0.111 kg)
CSBFP-48-F	3.8 oz. (0.108 kg)
CSBFP-48-I	4.0 oz. (0.113 kg)
CSBFP-48-S	4.5 oz. (0.128 kg)

PLUG CONFIGURATION



PRODUCT SPECS

R-290 Cold Shelves Built-In Flush Top

The patented R-290 Cold Shelves Built-In Flush Top shall be model ... as manufactured by the Hatco Corporation, Milwaukee, WI 53234 U.S.A.
 The R-290 Cold Shelves Built-In Flush Top shall be rated at ... watts, ... volts, and ... inches (millimeters) in overall width. It shall utilize R-290 refrigerant and consist of

foodsafesafe material surface shelf assembly with temperature probe. The condenser is attached to evaporator with cord and plug attached and attached Electronic Temperature Control Box.

Warranty consists of 24/7 parts and service assistance (U.S. and Canada only).

HATCO CORPORATION | P.O. Box 340500 Milwaukee, WI 53234-0500 U.S.A. | (414) 671-6350



www.hatcocorp.com | support@hatcocorp.com | [Find a Hatco Rep](#) | [Image Library](#) | [Document Library](#) | [Patents](#) | [Chat](#)