



Model EP5 Full Service Sneeze Guards are available in ten widths ranging from 36"–144" (914–3658 mm), with a common height of 25" (635 mm) and a common depth of 18" (457 mm). For additional information regarding **Model EP-5** sneeze guards, scan the QR Code below:



<https://www.hatcocorp.com/en/equipment/sneeze-guard-equipment/full-service/flav-r-shield-full-service-pass-over-sneeze-guard-ep5>

Important Safety Information

To avoid serious injury and damage to equipment or property, read the following safety information before installing this equipment.

Do not attempt to assemble and install sneeze guards alone. Installation of sneeze guards requires two or more people, dependent upon unit.

Always wear proper protective eye wear when handling glass sneeze guards.

Never spray cleaners directly onto sneeze guard surfaces. Spray cleaner into non-abrasive cloth, and then wipe down surfaces.

Use non-abrasive cleaners and cloths only. Abrasive cleaners and cloths could scratch finish of unit, marring its appearance and making it susceptible to soil accumulation. Use of abrasive materials will void warranty.

Assembly and Installation

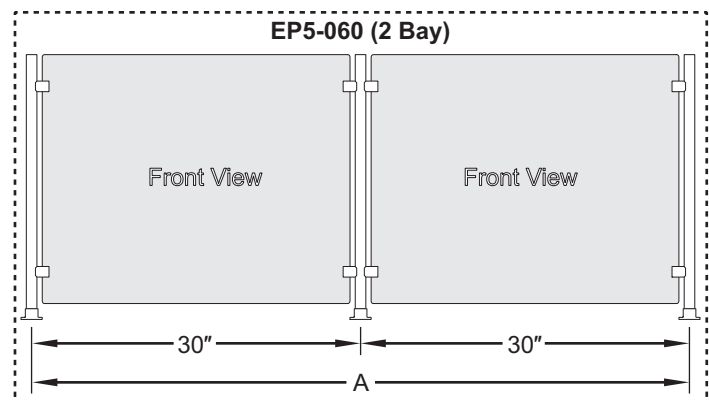
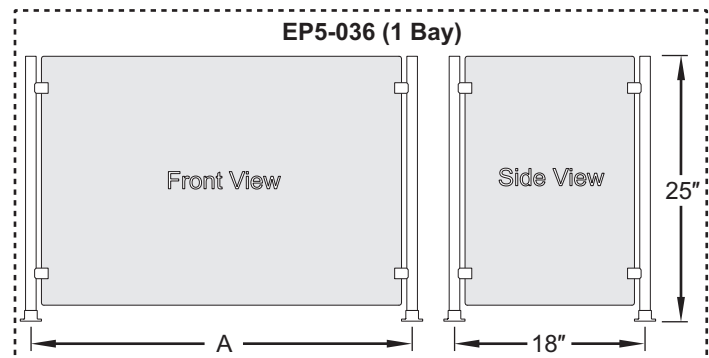
1. Unpack all components. Verify that the appropriate number of the items below are present.
 - Face Panel, 1/4" Glass
 - End Panel, 1/4" Glass
 - Post Assembly, 1" Stainless Steel
 - Hardware Packet (includes hex wrench for set screws)
2. Remove the Mounting Flanges from each Post Assembly.
 - a. Slide the Flange Cover up and off of the flange.
 - b. Using the included hex wrench, loosen the set screw on the flange.
 - c. Slide the flange off of the Post Assembly.

IMPORTANT NOTE
 Sneeze guards that consist of multiple bays require careful measurement before installation of the Mounting Flanges.

3. Install the Mounting Flanges to the mounting surface.
 - a. Refer to the "Model EP5 Standard Sizes" chart and illustration below to determine the location of the flanges. For multiple bay installations, refer to "Width per Bay" column in the chart.
 - b. Position the flanges in the appropriate locations, and mark the screw hole locations. **IMPORTANT!** Measure carefully, and make sure the flanges remain square to each other as well as the installation location.
 - c. Pre-drill the screw holes in the mounting surface.
 - d. Install the flanges using the appropriate, #8 countersunk-style fasteners for the mounting surface.

Model EP5 Standard Sizes

Item Number	Total Width (A) (post center to center)	Number of Bays	Width per Bay (post center to center)
EP5-036	36" (914 mm)	1	36" (914 mm)
EP5-048	48" (1219 mm)	2	24" (610 mm)
EP5-060	60" (1524 mm)	2	30" (762 mm)
EP5-072	72" (1829 mm)	2	36" (914 mm)
EP5-084	84" (2134 mm)	2	42" (1067 mm)
EP5-096	96" (2438 mm)	3	32" (813 mm)
EP5-108	108" (2743 mm)	3	36" (914 mm)
EP5-120	120" (3048 mm)	3	40" (1016 mm)
EP5-132	132" (3353 mm)	4	33" (838 mm)
EP5-144	144" (3658 mm)	4	36" (914 mm)



NOTE: 18" End Panels meet NSF requirements.

4. Insert each Post Assembly into its corresponding Mounting Flange. Make sure the posts are fully seated in the flanges.
5. Tighten the set screw on each Mounting Flange securely.
6. Slide each Flange Cover down onto its corresponding flange.

continued...



7. **IMPORTANT!** Refer to the “Securing the Glass” procedure on this sheet before beginning installation of any glass panels.
8. Install the glass Face Panel by sliding it into the glass clips from above. Secure the glass.
9. Install each glass End Panel by sliding them into the glass clips from above. Secure the glass.
10. For NSF compliance, apply NSF-approved silicone sealant to the screw heads of all set screws and nylon set screws.

NOTE: For NSF compliance, the bottom edge of all End Panels cannot be positioned higher than 1-1/2" (38 mm) above the installation surface.

Cleaning/Maintenance

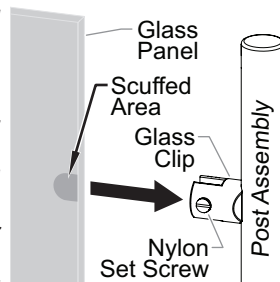
Clean the unit daily using non-abrasive cloths and cleaners.

- Always spray/apply cleaner to the cloth, then wipe down the sneeze guard. Do not spray cleaner directly onto the sneeze guard.

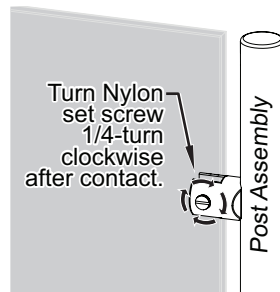
Securing the Glass

All glass panels are attached to support posts using the same, integrated glass clips. A nylon set screw on each glass clip secures the glass panel in the clip.

NOTE: During installation of all vertical and angled glass panels, Hatco strongly recommends that an abraded surface be created where the nylon set screw contacts the glass. This will create a strong bond between the set screw and the glass. Use 320-grit sandpaper to scuff the glass where each nylon set screw will contact the glass.



1. Abrade the surface of the glass panel where each nylon set screw will contact the glass.
2. Insert the glass panel into the glass clips.
3. Carefully turn the nylon set screw clockwise just until the screw contacts the glass. Then, turn the screw an additional 1/4-turn to secure the glass.



Custom Units

Scan this QR code or click the link below to access information regarding custom units including sizes, glass, hardware, and lighting.

www.hatcosneezeguards.com



24 Hour 7 Day Parts and Service Assistance available in the United States and Canada by calling 414-671-6350.

