



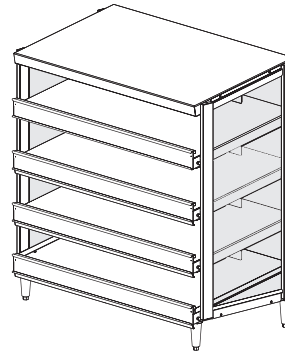
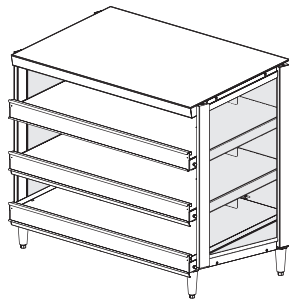
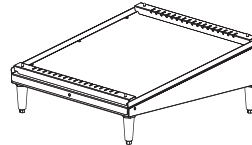
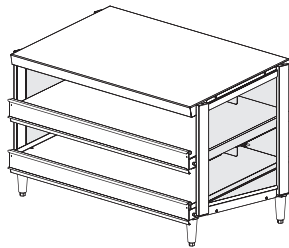
Register Online!
(see page 2)

S'inscrire en ligne!
(voir page 16)



Glo-Ray® Pizza Warmer Plaque chauffante pour pizza GRPWS Series/Série

Installation and Operating Manual Manuel d'installation et d'utilisation



⚠ WARNING

Do not operate this equipment unless you have read and understood the contents of this manual! Failure to follow the instructions contained in this manual may result in serious injury or death. This manual contains important safety information concerning the maintenance, use, and operation of this product. If you're unable to understand the contents of this manual, please bring it to the attention of your supervisor. Keep this manual in a safe location for future reference.

English = p 2

⚠ ADVERTENCIA

No opere este equipo al menos que haya leído y comprendido el contenido de este manual! Cualquier falla en el seguimiento de las instrucciones contenidas en este manual puede resultar en un serio lesión o muerte. Este manual contiene importante información sobre seguridad concerniente al mantenimiento, uso y operación de este producto. Si usted no puede entender el contenido de este manual por favor pregunte a su supervisor. Almacenar este manual en una localización segura para la referencia futura.

⚠ AVERTISSEMENT

Ne pas utiliser cet équipement sans avoir lu et compris le contenu de ce manuel ! Le non-respect des instructions contenues dans ce manuel peut entraîner de graves blessures ou la mort. Ce manuel contient des informations importantes concernant l'entretien, l'utilisation et le fonctionnement de ce produit. Si vous ne comprenez pas le contenu de ce manuel, veuillez le signaler à votre supérieur. Conservez ce manuel dans un endroit sûr pour pouvoir vous y référer plus tard.

Français = p 16

Important Owner Information.....2
Introduction.....2
Important Safety Information3
Model Description4
Model Designation4
Specifications5
 Plug Configurations5
 Electrical Rating Chart — GRPWS-xxxx Models5
 Electrical Rating Chart — GRPWS-xxxxD Models5
 Electrical Rating Chart — GRPWS-xxxxT Models5
 Electrical Rating Chart — GRPWS-xxxxQ Models6
 Dimensions — Box Stop with Sign Holder6
 Dimensions — GRPWS-xxxx and GRWPS-XXXXD Models7
 Dimensions — GRPWS-xxxxT Models8
 Dimensions — GRPWS-xxxxQ Models9

Installation.....10
 General10
Operation.....11
 General11
Maintenance.....12
 General12
 Daily Cleaning12
 Replacing Display Light Bulbs12
Troubleshooting Guide13
Options and Accessories14
Limited Warranty15
Authorized Parts Distributors Back Cover

IMPORTANT OWNER INFORMATION

Record the model number, serial number, voltage, and purchase date of the unit in the spaces below (specification label located on the back of the unit). Please have this information available when calling Hatco® for service assistance.

Model No. _____

Serial No. _____

Voltage _____

Date of Purchase _____

Business Hours: 7:00 AM to 5:00 PM Monday–Friday, Central Time (CT)
(Summer Hours: June to September—7:00 AM to 5:00 PM Monday–Thursday
7:00 AM to 4:00 PM Friday)

Telephone: 414-671-6350

E-mail: support@hatcocorp.com



24 Hour 7 Day Parts and Service Assistance available in the United States and Canada by calling 414-671-6350.

Register your unit!

Completing online warranty registration will prevent delay in obtaining warranty coverage. Access the Hatco website at www.hatcocorp.com, select the *Support* pull-down menu, and click on "Warranty".

Additional information can be found by visiting our web site at www.hatcocorp.com.

INTRODUCTION

Hatco Glo-Ray® Pizza Warmers are perfect for holding boxed or bagged pizza and other wrapped food product on a buffet line or at temporary serving areas. These warmers hold hot wrapped food product and keep it at optimum serving temperatures without affecting quality. The thermostatically-controlled heated base in each heat zone extends the holding times of most wrapped food product. These units also feature incandescent lights along with a cord and plug set.

Hatco Glo-Ray Pizza Warmers are products of extensive research and field testing. The materials used were selected for maximum durability, attractive appearance, and optimum performance. Every unit is inspected and tested thoroughly prior to shipment.

This manual provides the installation, safety, and operating instructions for Glo-Ray Pizza Warmers. Hatco recommends all installation, operating, and safety instructions appearing in this manual be read prior to installation or operation of the warmer.

Safety information that appears in this manual is identified by the following signal word panels:



WARNING indicates a hazardous situation which, if not avoided, could result in death or serious injury.



CAUTION indicates a hazardous situation which, if not avoided, could result in minor or moderate injury.



NOTICE is used to address practices not related to personal injury.



Read the following important safety information before using this equipment to avoid serious injury or death and to avoid damage to equipment or property.

WARNING

ELECTRIC SHOCK HAZARD:

- Plug unit into a properly grounded electrical receptacle of the correct voltage, size, and plug configuration. If plug and receptacle do not match, contact a qualified electrician to determine and install proper voltage and size electrical receptacle.
- Turn OFF power switch, unplug power cord, and allow unit to cool before performing any cleaning, adjustments, or maintenance.
- Unit is not weatherproof. Locate unit indoors where ambient air temperature is a minimum of 70°F (21°C).
- DO NOT submerge or saturate with water. Unit is not waterproof. Do not operate if unit has been submerged or saturated with water.
- Do not steam clean or use excessive water on unit.
- This unit is not “jet-proof” construction. Do not use jet-clean spray to clean this unit.
- Do not pull unit by power cord.
- Discontinue use if power cord is frayed or worn.
- Do not attempt to repair or replace a damaged power cord. The cord must be replaced by Hatco, an Authorized Hatco Service Agent, or a person with similar qualifications.
- Do not clean unit when it is energized or hot.
- This unit must be serviced by qualified personnel only. Service by unqualified personnel may lead to electric shock or burn.
- Use only Genuine Hatco Replacement Parts when service is required. Failure to use Genuine Hatco Replacement Parts will void all warranties and may subject operators of the equipment to hazardous electrical voltage, resulting in electrical shock or burn. Genuine Hatco Replacement Parts are specified to operate safely in the environments in which they are used. Some aftermarket or generic replacement parts do not have the characteristics that will allow them to operate safely in Hatco equipment.

FIRE HAZARD: Locate unit a minimum of 1” (25 mm) from combustible walls and materials. If safe distances are not maintained, discoloration or combustion could occur.

Use only light bulbs that meet or exceed NSF standards and are specifically designed for food holding areas. Breakage of light bulbs not specially-coated could result in personal injury and/or food contamination.

WARNING

Make sure food product has been heated to the proper food-safe temperature before placing in unit. Failure to heat food product properly may result in serious health risks. This unit is for holding pre-heated food product only.

Hatco Corporation is not responsible for actual food product serving temperature. It is the responsibility of the user to ensure that food product is held and served at a safe temperature.

Do not place food product directly onto hardcoat surface. Food product must be wrapped, boxed, or on a food pan.

Make sure all operators have been instructed on the safe and proper use of the unit.

This unit is not intended for use by children or persons with reduced physical, sensory, or mental capabilities. Ensure proper supervision of children and keep them away from the unit.

This unit has no “user-serviceable” parts. If service is required on this unit, contact an Authorized Hatco Service Agent or contact the Hatco Service Department at 414-671-6350.

CAUTION

BURN HAZARD: Some exterior surfaces on unit will get hot. Use caution when touching these areas.

Locate unit at proper counter height in an area that is convenient for use. The location should be level to prevent unit or its contents from falling accidentally and strong enough to support the weight of the unit and contents.

NSF requires that units over 36” (914 mm) in width or weighing more than 80 lbs. (36 kg) either be sealed to or raised above the installation surface. If unit cannot be sealed at the point of use, 4” (102 mm) legs are included to allow for proper cleaning access below unit.

NOTICE

Do not lay unit on the side with the control panel. Damage to unit could occur.

Use non-abrasive cleaners and cloths only. Abrasive cleaners and cloths could scratch finish of unit, marring its appearance and making it susceptible to soil accumulation.

Clean unit daily to avoid malfunctions and maintain sanitary operation.

Do not locate unit in area with excessive air movement around unit. Avoid areas that may be subject to active air movements or currents (i.e., near exhaust fans/hoods, air conditioning ducts, and exterior doors).

MODEL DESCRIPTION

All Models

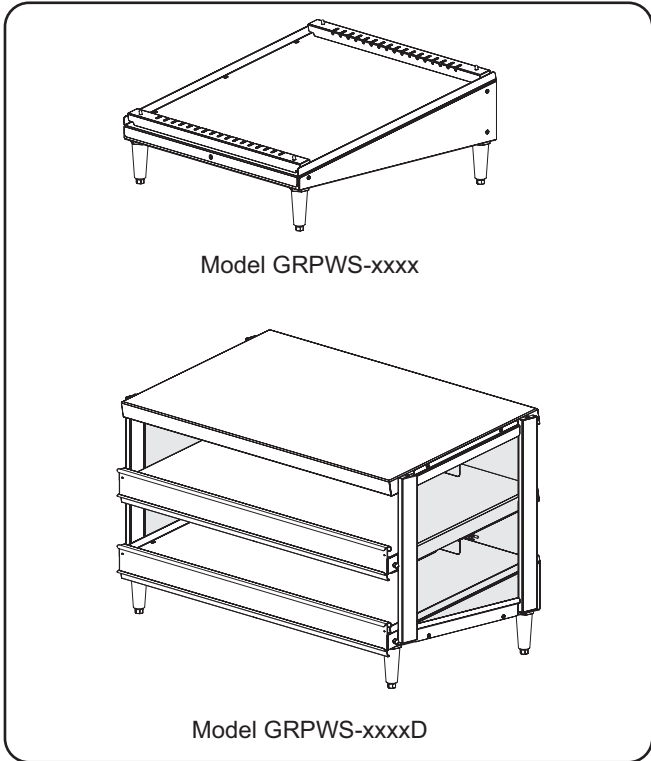
All Hatco® Glo-Ray® Pizza Warmers are constructed of aluminum and stainless steel. Features include tempered glass side panels (no glass side panels on single shelf units), a separate Power I/O (on/off) switch for each heat zone, a separate temperature control for each heat zone, display lights, feet/legs, and a cord and plug set. The operating temperature range of each heat base is from room temperature to approximately 185°F (85°C).

GRPWS-xxxx Models

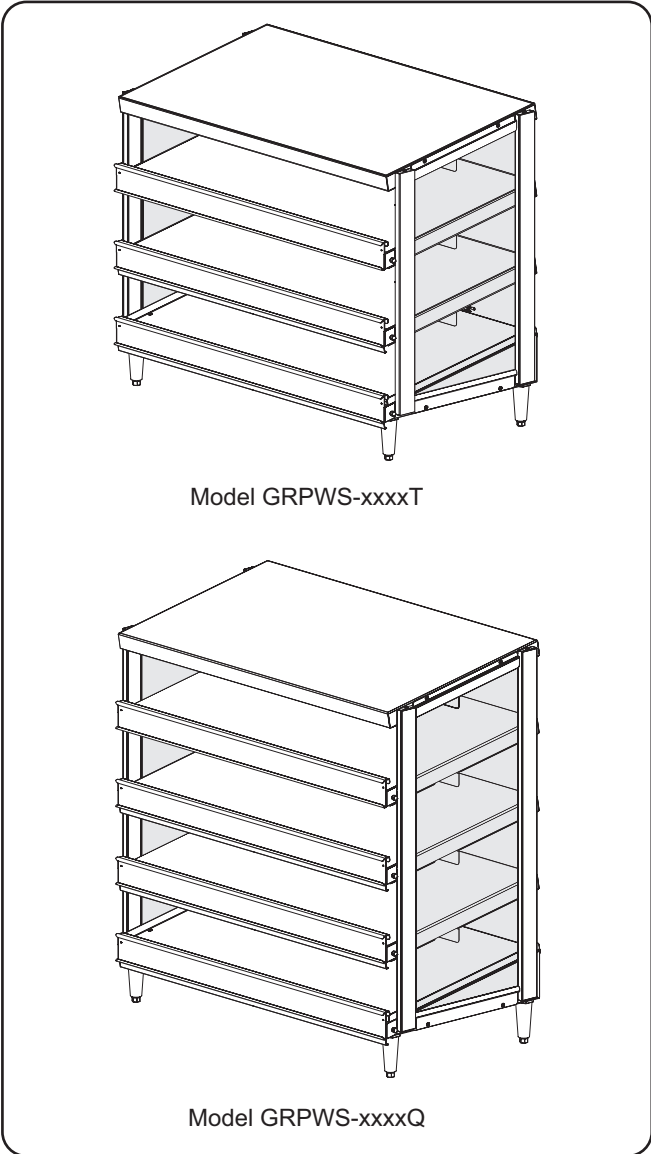
Glo-Ray Pizza Warmers are available in widths of 24", 36", and 48" (610, 914, 1219 mm); and in depths of 18" or 24" (457 or 610 mm). The units are available in single, dual, triple, or quadruple shelf models.

NOTE: Single shelf models are available in the 24" (610 mm) depth only.

NOTE: Refer to the OPTIONS AND ACCESSORIES section for display light options.

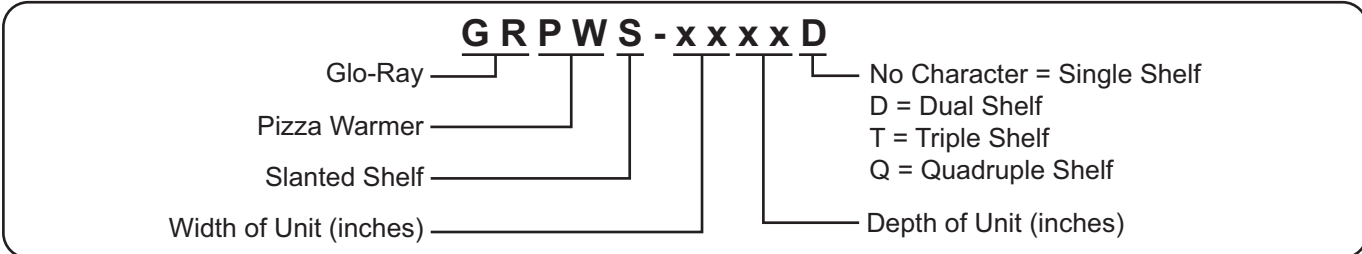


Models GRPWS-xxxx and GRPWS-xxxxD



Models GRPWS-xxxxT and GRPWS-xxxxQ

MODEL DESIGNATION



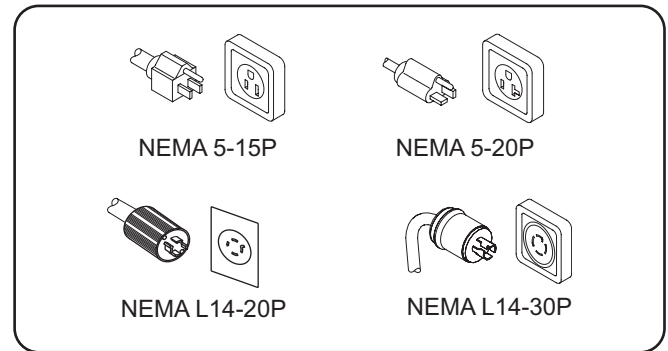
Plug Configurations

Units are supplied from the factory with an electrical cord and plug installed. Plugs are supplied according to the applications.



ELECTRIC SHOCK HAZARD: Plug unit into a properly grounded electrical receptacle of the correct voltage, size, and plug configuration. If plug and receptacle do not match, contact a qualified electrician to determine and install the proper voltage and size electrical receptacle.

NOTE: Receptacle not supplied by Hatco.



Plug Configurations

Electrical Rating Chart — GRPWS-xxxx Models

Model	Voltage	Watts	Amps	Plug Configuration	Shipping Weight
GRPWS-2424	120 V	345 W	2.9 A	NEMA 5-15P	40 lbs. (18 kg)
GRPWS-3624	120 V	505 W	4.2 A	NEMA 5-15P	45 lbs. (20 kg)
GRPWS-4824	120 V	660 W	5.5 A	NEMA 5-15P	60 lbs. (27 kg)

Electrical Rating Chart — GRPWS-xxxxD Models

Model	Voltage	Watts	Amps	Plug Configuration	Shipping Weight
GRPWS-2418D	120 V	960 W	8.0 A	NEMA 5-15P	76 lbs. (34 kg)
GRPWS-3618D	120 V	1440 W	12.0 A	NEMA 5-15P	91 lbs. (41 kg)
GRPWS-4818D	120 V	1920 W	16.0 A	NEMA 5-20P	136 lbs. (62 kg)
	120/208–240 V		8.0 A	NEMA L14-20P	
GRPWS-2424D	120 V	1200 W	10.0 A	NEMA 5-15P	108 lbs. (49 kg)
GRPWS-3624D	120 V	1800 W	15.0 A	NEMA 5-15P *	136 lbs. (62 kg)
GRPWS-4824D	120/208-240 V	2390 W	10.0 A	NEMA L14-20P	177 lbs. (80 kg)

Electrical Rating Chart — GRPWS-xxxxT Models

Model	Voltage	Watts	Amps	Plug Configuration	Shipping Weight
GRPWS-2418T	120 V	1440 W	12.0 A	NEMA 5-15P	98 lbs. (44 kg)
GRPWS-3618T	120/208–240 V	2160 W	12.0 A	NEMA L14-20P	136 lbs. (62 kg)
GRPWS-4818T	120/208–240 V	2880 W	16.0 A	NEMA L14-20P	175 lbs. (79 kg)
GRPWS-2424T	120 V	1800 W	15.0 A	NEMA 5-15P *	123 lbs. (56 kg)
GRPWS-3624T	120/208–240 V	2700 W	15.0 A	NEMA L14-20P	175 lbs. (79 kg)
GRPWS-4824T	120/208–240 V	3585 W	20.0 A	NEMA L14-30P	227 lbs. (103 kg)

* NEMA 5-20P for Canada

Electrical Rating Chart — GRPWS-xxxxQ Models

Model	Voltage	Watts	Amps	Plug Configuration	Shipping Weight
GRPWS-2418Q	120 V ‡	1920 W	16.0 A	NEMA 5-20P	119 lbs. (54 kg)
	120/208–240 V		8.0 A	NEMA L14-20P	
GRPWS-3618Q	120/208–240 V	2880 W	12.0 A	NEMA L14-20P	157 lbs. (71 kg)
GRPWS-4818Q	120/208–240 V	3840 W	16.0 A	NEMA L14-20P	214 lbs. (97 kg)
GRPWS-2424Q	120/208–240 V	2400 W	10.0 A	NEMA L14-20P	151 lbs. (69 kg)
GRPWS-3624Q	120/208–240 V	3600 W	15.0 A	NEMA L14-20P	214 lbs. (97 kg)
GRPWS-4824Q	120/208–240 V	4780 W	20.0 A	NEMA L14-20P †	277 lbs. (126 kg)

‡ Not available in Canada.

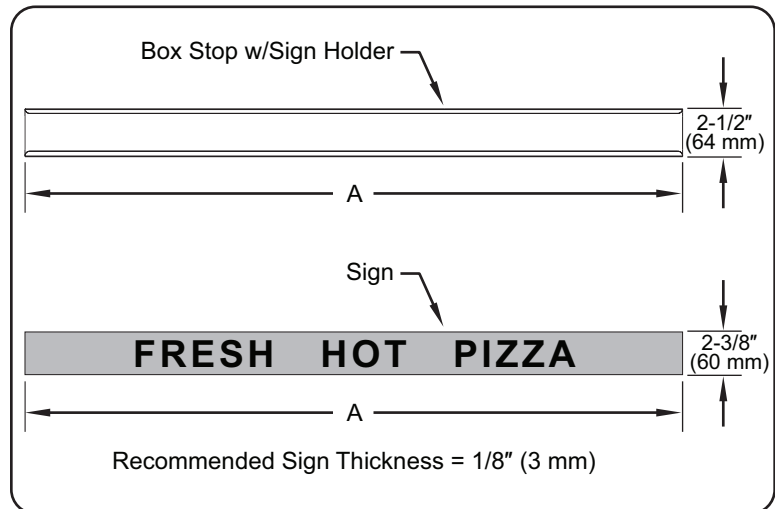
† NEMA L14-30P for Canada.

Dimensions — Box Stop with Sign Holder

Model	Box Stop/Sign Width (A)
GRPWS-24xxD GRPWS-24xxT GRPWS-24xxQ	22-1/4" (565 mm)
GRPWS-36xxD GRPWS-36xxT GRPWS-36xxQ	34-1/4" (870 mm)
GRPWS-48xxD GRPWS-48xxT GRPWS-48xxQ	46-1/4" (1175 mm)

NOTE: Signage is not supplied by Hatco®.

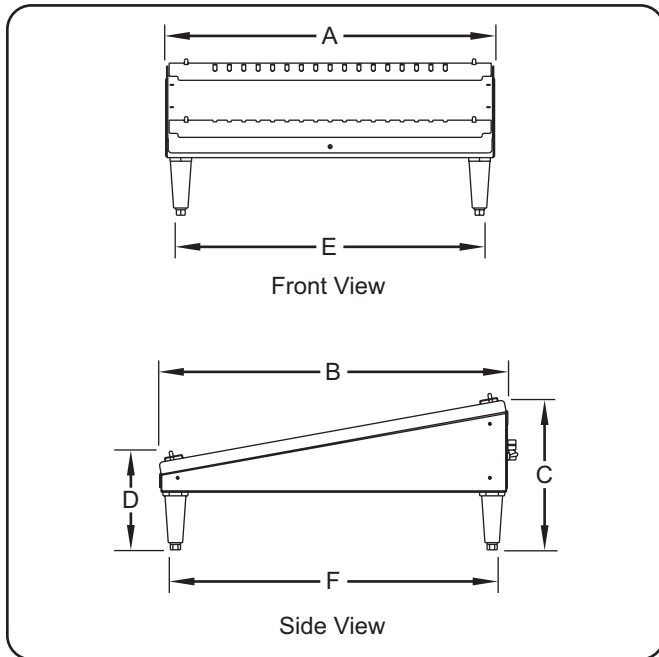
NOTE: The Box Stop with Sign Holder is not available for single shelf units (GRPWS-xxxx).



Box Stop with Sign Holder Dimensions

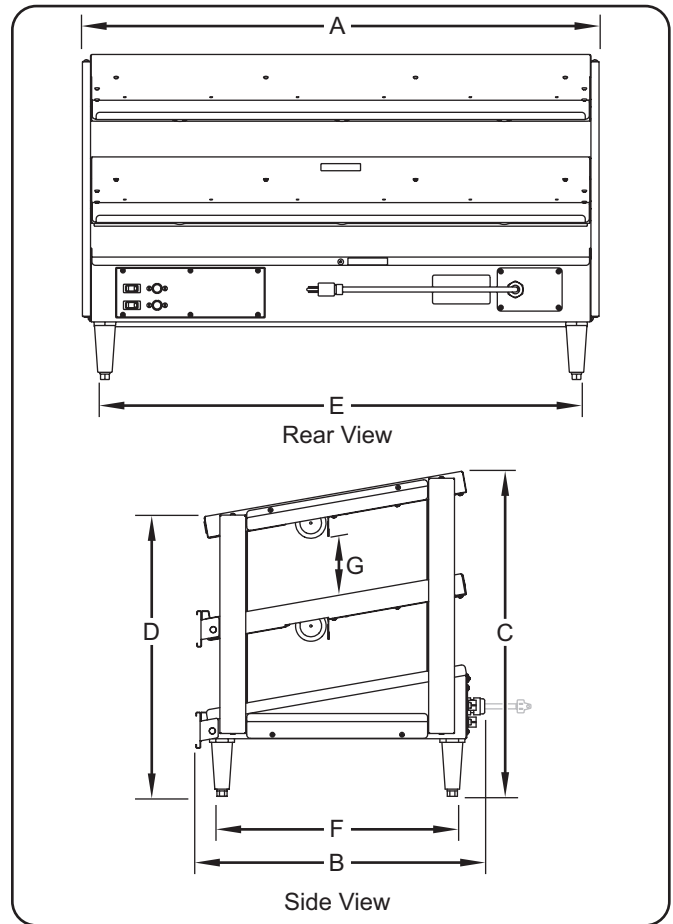
Dimensions — GRPWS-xxxx and GRPWS-xxxxD

Model	Width (A)	Depth (B)	Height (C)†	Height (D)†	Footprint Width (E)	Footprint Depth (F)	Shelf Height (G)
GRPWS-2424	22-7/8" (581 mm)	24-1/4" (616 mm)	10-3/8" (264 mm)	6-7/8" (174 mm)	20-1/8" (511 mm)	21-3/8" (543 mm)	---
GRPWS-3624	34-7/8" (886 mm)	24-1/4" (616 mm)	10-3/8" (264 mm)	6-7/8" (174 mm)	32-1/8" (816 mm)	21-3/8" (543 mm)	---
GRPWS-4824	46-7/8" (1191 mm)	24-1/4" (616 mm)	10-3/8" (264 mm)	6-7/8" (174 mm)	44-1/8" (1121 mm)	21-3/8" (543 mm)	---
GRPWS-2418D	23-7/8" (606 mm)	20-1/16" (509 mm)	22-9/16" (573 mm)	19-1/2" (494 mm)	20-1/8" (511 mm)	15-3/8" (391 mm)	4-1/8" (104 mm)
GRPWS-3618D	35-7/8" (911 mm)	20-1/16" (509 mm)	22-9/16" (573 mm)	19-1/2" (494 mm)	32-1/8" (816 mm)	15-3/8" (391 mm)	4-1/8" (104 mm)
GRPWS-4818D	47-7/8" (1216 mm)	20-1/16" (509 mm)	22-9/16" (573 mm)	19-1/2" (494 mm)	44-1/8" (1121 mm)	15-3/8" (391 mm)	4-1/8" (104 mm)
GRPWS-2424D	23-7/8" (606 mm)	26-1/16" (662 mm)	23-5/8" (600 mm)	19-1/2" (494 mm)	20-1/8" (511 mm)	21-3/8" (543 mm)	4-1/8" (104 mm)
GRPWS-3624D	35-7/8" (911 mm)	26-1/16" (662 mm)	23-5/8" (600 mm)	19-1/2" (494 mm)	32-1/8" (816 mm)	21-3/8" (543 mm)	4-1/8" (104 mm)
GRPWS-4824D	47-7/8" (1216 mm)	26-1/16" (662 mm)	23-5/8" (600 mm)	19-1/2" (494 mm)	44-1/8" (1121 mm)	21-3/8" (543 mm)	4-1/8" (104 mm)



GRPWS-xxxx Dimensions

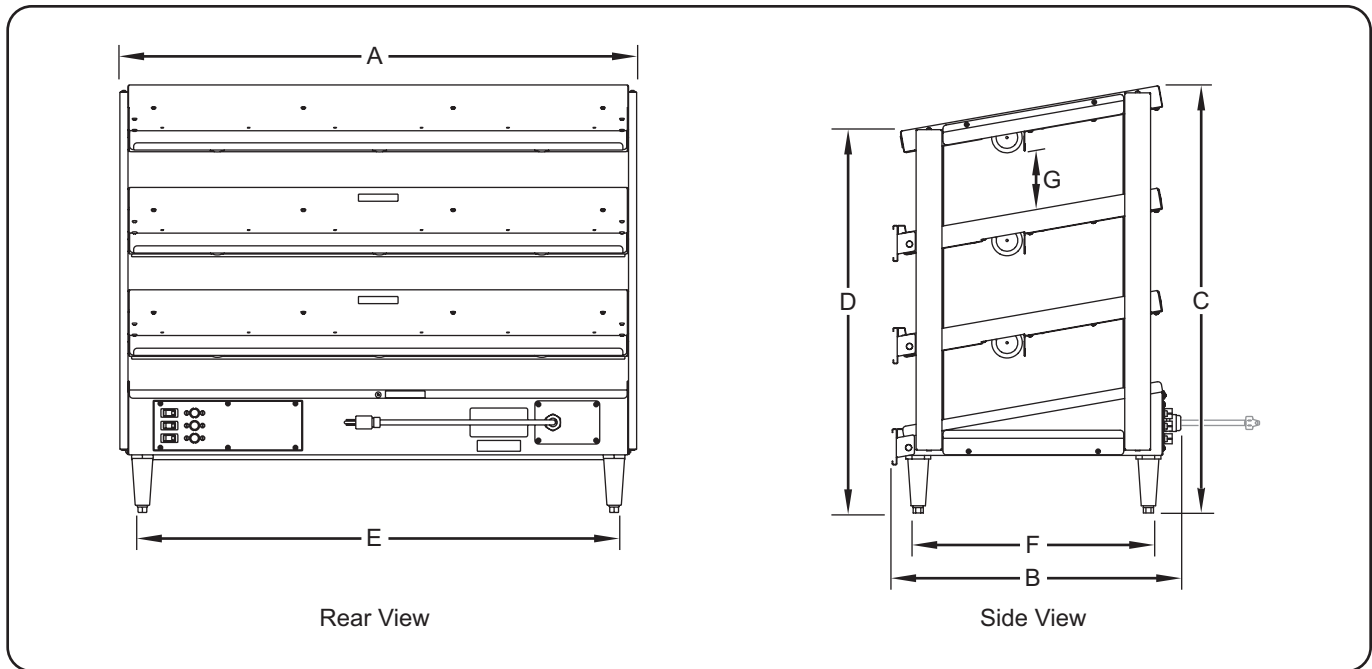
† Height (C and D) includes 4" (102 mm) legs. Subtract 4" (102 mm) from Height (C and D) if unit is sealed to countertop. Subtract 3" (76 mm) from Height (C and D) if unit is equipped with 1" (25 mm) feet.



GRPWS-xxxxD Dimensions

Dimensions — GRPWS-xxxxT Models

Model	Width (A)	Depth (B)	Height (C)†	Height (D)†	Footprint Width (E)	Footprint Depth (F)	Shelf Height (G)
GRPWS-2418T	23-7/8" (606 mm)	20-1/16" (509 mm)	29-11/16" (754 mm)	26-9/16" (674 mm)	20-1/8" (511 mm)	15-3/8" (391 mm)	4-1/8" (104 mm)
GRPWS-3618T	35-7/8" (911 mm)	20-1/16" (509 mm)	29-11/16" (754 mm)	26-9/16" (674 mm)	32-1/8" (816 mm)	15-3/8" (391 mm)	4-1/8" (104 mm)
GRPWS-4818T	47-7/8" (1216 mm)	20-1/16" (509 mm)	29-11/16" (754 mm)	26-9/16" (674 mm)	44-1/8" (1121 mm)	15-3/8" (391 mm)	4-1/8" (104 mm)
GRPWS-2424T	23-7/8" (606 mm)	26-1/16" (662 mm)	30-3/4" (781 mm)	26-9/16" (674 mm)	20-1/8" (511 mm)	21-3/8" (543 mm)	4-1/8" (104 mm)
GRPWS-3624T	35-7/8" (911 mm)	26-1/16" (662 mm)	30-3/4" (781 mm)	26-9/16" (674 mm)	32-1/8" (816 mm)	21-3/8" (543 mm)	4-1/8" (104 mm)
GRPWS-4824T	47-7/8" (1216 mm)	26-1/16" (662 mm)	30-3/4" (781 mm)	26-9/16" (674 mm)	44-1/8" (1121 mm)	21-3/8" (543 mm)	4-1/8" (104 mm)

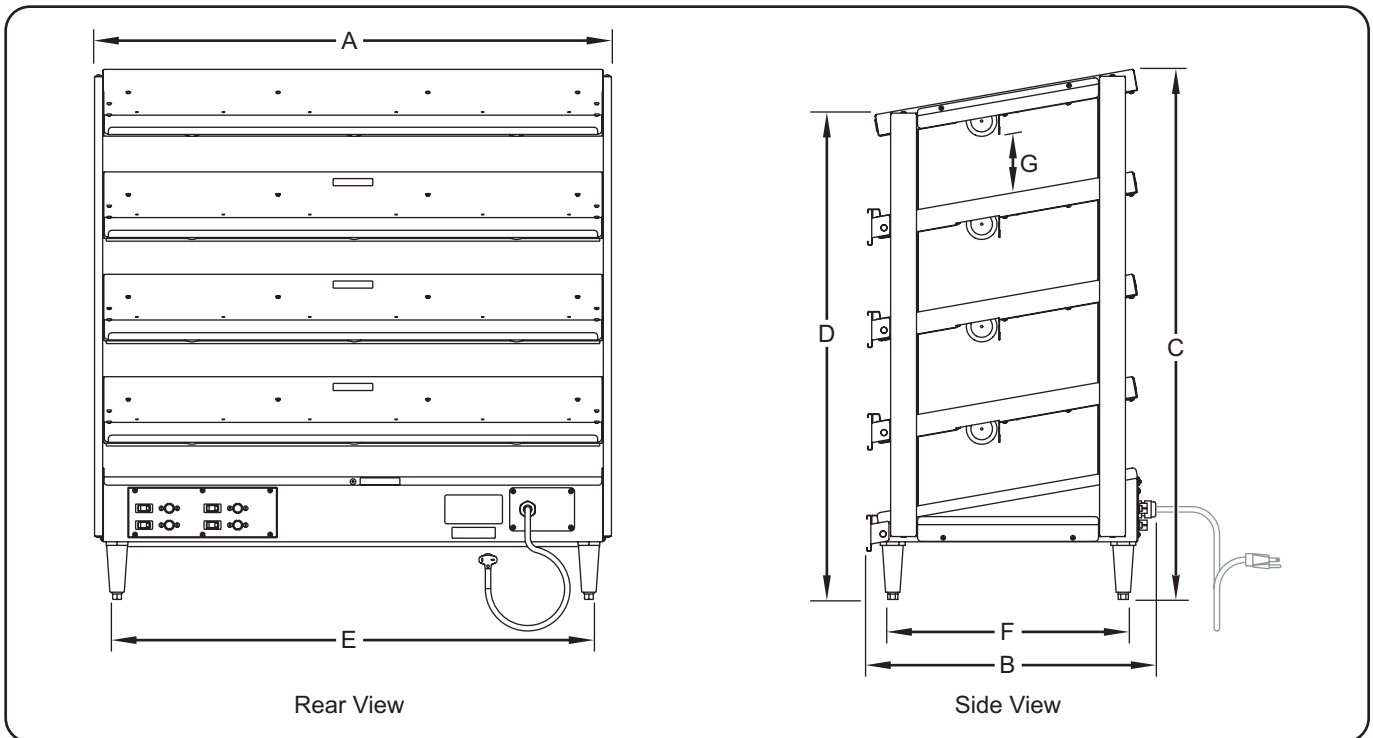


GRPWS-xxxxT Dimensions

† Height (C and D) includes 4" (102 mm) legs. Subtract 4" (102 mm) from Height (C and D) if unit is sealed to countertop.

Dimensions — GRPWS-xxxxQ Models

Model	Width (A)	Depth (B)	Height (C)†	Height (D)†	Footprint Width (E)	Footprint Depth (F)	Shelf Height (G)
GRPWS-2418Q	23-7/8" (606 mm)	20-1/16" (509 mm)	36-13/16" (935 mm)	33-11/16" (855 mm)	20-1/8" (511 mm)	15-3/8" (391 mm)	4-1/8" (104 mm)
GRPWS-3618Q	35-7/8" (911 mm)	20-1/16" (509 mm)	36-13/16" (935 mm)	33-11/16" (855 mm)	32-1/8" (816 mm)	15-3/8" (391 mm)	4-1/8" (104 mm)
GRPWS-4818Q	47-7/8" (1216 mm)	20-1/16" (509 mm)	36-13/16" (935 mm)	33-11/16" (855 mm)	44-1/8" (1121 mm)	15-3/8" (391 mm)	4-1/8" (104 mm)
GRPWS-2424Q	23-7/8" (606 mm)	26-1/16" (662 mm)	37-7/8" (962 mm)	33-11/16" (855 mm)	20-1/8" (511 mm)	21-3/8" (543 mm)	4-1/8" (104 mm)
GRPWS-3624Q	35-7/8" (911 mm)	26-1/16" (662 mm)	37-7/8" (962 mm)	33-11/16" (855 mm)	32-1/8" (816 mm)	21-3/8" (543 mm)	4-1/8" (104 mm)
GRPWS-4824Q	47-7/8" (1216 mm)	26-1/16" (662 mm)	37-7/8" (962 mm)	33-11/16" (855 mm)	44-1/8" (1121 mm)	21-3/8" (543 mm)	4-1/8" (104 mm)



GRPWS-xxxxQ Dimensions

† Height (C and D) includes 4" (102 mm) legs. Subtract 4" (102 mm) from Height (C and D) if unit is sealed to countertop.

General

Hatco® Glo-Ray® Pizza Warmers are shipped with most components pre-assembled. Care should be taken when unpacking shipping carton to avoid damage to the unit and components enclosed.



WARNING

ELECTRIC SHOCK HAZARD: Unit is not weatherproof. Locate unit indoors where ambient air temperature is a minimum of 70°F (21°C).

FIRE HAZARD: Locate unit a minimum of 1" (25 mm) from combustible walls and materials. If safe distances are not maintained, discoloration or combustion could occur.



CAUTION

NSF requires that units over 36" (914 mm) in width or weighing more than 80 lbs. (36 kg) either be sealed to or raised above the installation surface. If unit cannot be sealed at the point of use, 4" (102 mm) legs are included to allow for proper cleaning access below unit.

1. Remove the unit from the carton. Two people are required for this step.

NOTE: To prevent delay in obtaining warranty coverage, complete online warranty registration. See the IMPORTANT OWNER INFORMATION section for details.

2. Remove tape and protective packaging from all surfaces of unit.



NOTICE

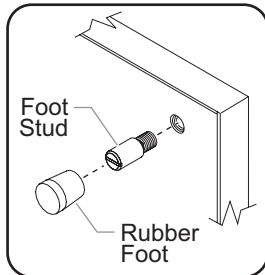
Do not lay unit on the side with the control panel. Damage to unit could occur.

3. Install the 1" (25 mm) metal foot studs with rubber feet or 4" (102 mm) adjustable legs. Two people are required for this step.
 - a. Carefully lay the unit on its side.

- b. Install the feet or legs.

To install the 1" (25 mm) rubber feet:

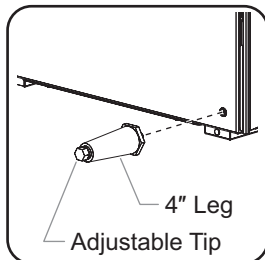
- Thread a foot stud into the hole at each corner on the bottom of the unit. Tighten securely.
- Slip a rubber foot over each foot stud.



To install the 4" (102 mm) adjustable legs:

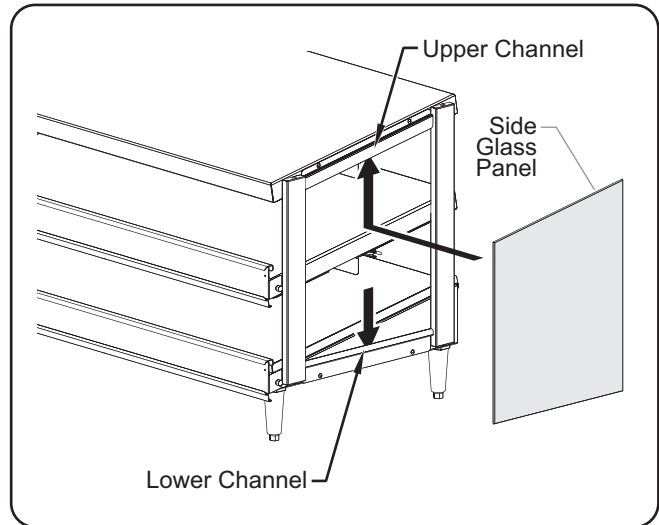
- Thread a leg into the hole at each corner on the bottom of the unit. Hand-tighten the legs until snug. Do not over-tighten.

- c. Return the unit to the upright position.



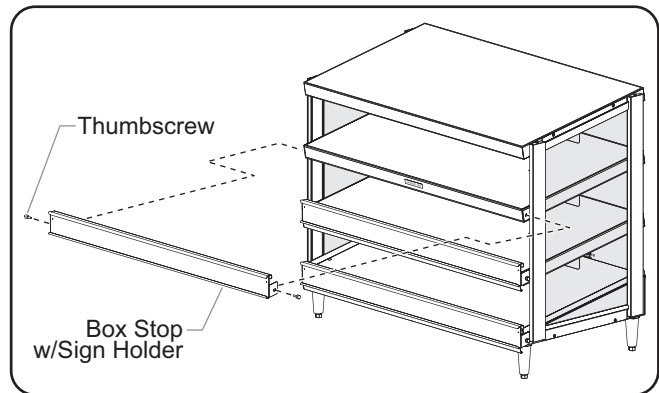
NOTE: 4" (102 mm) legs are adjustable for leveling the unit. Use a 5/8" (16 mm) open-end wrench to make leveling adjustments once the unit is placed in final position.

4. Slide each side glass panel into the upper channel, then gently lower the panel into the lower channel.



Side Glass Panel Installation (GRPWS-xxxxD shown)

5. Install the box stop w/sign holder on each shelf. To install:
 - a. Position the box stop on the shelf
 - b. Secure the box stop at each end using the supplied thumbscrews.



Box Stop w/Sign Holder Installation (GRPWS-xxxxT shown)

NOTE: Unit must be transported in the upright position.

6. Place the unit in the desired location.
 - Locate the unit in an area where the ambient air temperature is constant and a minimum of 70°F (21°C). Avoid areas that may be subject to active air movements or currents (i.e., near exhaust fans/hoods, air conditioning ducts, and exterior doors).
 - Make sure the unit is at the proper counter height in an area convenient for use.
 - Make sure the countertop is level and strong enough to support the weight of the unit and food product.
 - Make sure all the feet/legs on the bottom of the unit are positioned securely on the countertop.

General

Use the following procedures to operate a Glo-Ray Pizza Warmer.



Read all safety messages in the IMPORTANT SAFETY INFORMATION section before operating this equipment.

Do not place food product directly onto hardcoat surface. Food product must be wrapped, boxed, or on a food pan.

Control Panel

The following are descriptions of the controls used to operate the unit. All controls are located on the control panel at the back of the unit.



Heat Source Icon

The heat source icon consists of one, two, three, or four bars and appears below the Power On/Off switch for each heated shelf. Each bar in the icon represents a heated shelf, starting at the base. The bar that is in red indicates which heated shelf is controlled by the corresponding Power On/Off switch and Temperature Control knob.

Power On/Off Switch

The Power On/Off switch(es) control power to a single heated shelf. The heat source icon below the switch indicates which heated shelf corresponds to the switch.

Temperature Control Knob(s)

The Temperature Control knob(s) control heat to a shelf. The heat source icon indicates which shelf corresponds to the control. Turning the Temperature Control knob clockwise will increase the temperature setting. Turning the Temperature Control knob counterclockwise will decrease the temperature setting.

NOTE: Each heated shelf is controlled independently.

Operating the Unit

Startup

1. Plug the unit into a properly grounded electrical receptacle of the correct voltage, size, and plug configuration. See the SPECIFICATIONS section for details.
2. Turn on the desired number of shelves, depending on the unit. For each shelf:
 - a. Move the Power On/Off switch to the "On" position. The overhead lights will turn on and the heated shelf will energize.

NOTE: The Power On/Off switch must be in the "On" position for the corresponding heated shelf to function.



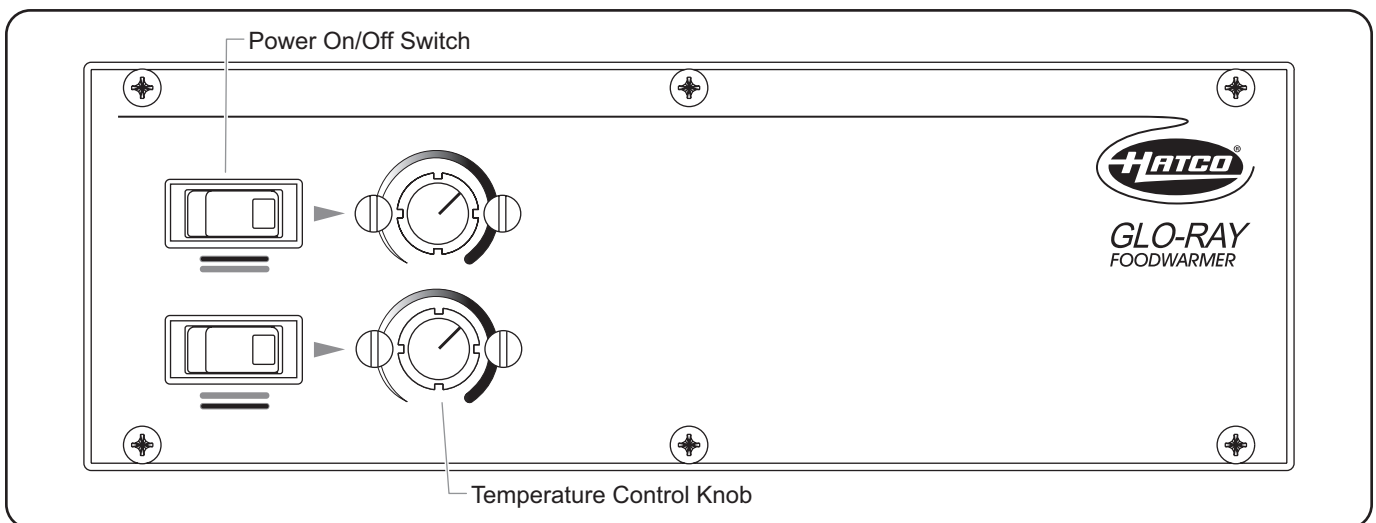
BURN HAZARD: Some exterior surfaces on unit will get hot. Use caution when touching these areas.

- b. Turn the Temperature Control knob to the desired temperature setting for the heated shelf. Turning the Temperature Control knob clockwise will increase the temperature setting. Turning the Temperature Control knob counterclockwise will decrease the temperature setting.
3. Allow the unit 30 minutes to reach operating temperature before placing preheated food product.

NOTE: If the unit is equipped with a Digital Temperature Controller(s) instead of the standard Temperature Control knob(s), see the OPTIONS AND ACCESSORIES section for operation instructions.

Shutdown

1. Move the Power On/Off switch(es) to the "Off" position. The overhead lights and heated shelf/shelves will shut off.



GRPWS Controls (GRPWS-xxxxD control panel shown)

General

Hatco® Glo-Ray® Pizza Warmers are designed for maximum durability and performance with minimum maintenance.

WARNING

ELECTRIC SHOCK HAZARD:

- Turn OFF power switch, unplug power cord, and allow unit to cool before performing any cleaning, adjustments, or maintenance.
- DO NOT submerge or saturate with water. Unit is not waterproof. Do not operate if unit has been submerged or saturated with water.
- Do not steam clean or use excessive water on unit.
- This unit is not “jet-proof” construction. Do not use jet-clean spray to clean this unit.
- Do not clean unit when it is energized or hot.
- Use only Genuine Hatco Replacement Parts when service is required. Failure to use Genuine Hatco Replacement Parts will void all warranties and may subject operators of the equipment to hazardous electrical voltage, resulting in electrical shock or burn. Genuine Hatco Replacement Parts are specified to operate safely in the environments in which they are used. Some aftermarket or generic replacement parts do not have the characteristics that will allow them to operate safely in Hatco equipment.

This unit has no “user-serviceable” parts. If service is required on this unit, contact an Authorized Hatco Service Agent or contact the Hatco Service Department at 414-671-6350.

Daily Cleaning

To preserve the finish of the unit as well as maintain performance, it is recommended that the unit be cleaned daily.

NOTICE

Use non-abrasive cleaners and cloths only. Abrasive cleaners and cloths could scratch finish of unit, marring its appearance and making it susceptible to soil accumulation.

Clean unit daily to avoid malfunctions and maintain sanitary operation.

1. Turn off the unit, unplug the power cord, and allow the unit to cool.
2. Remove the box stop w/sign holder on each shelf by unscrewing the thumbscrews at each end of the box stop.
3. Wipe down all exterior and interior surfaces using a damp, non-abrasive cloth. A non-abrasive cleaner may be used for difficult stains. Hard to reach areas should be cleaned using a small brush and mild soap.
4. Clean the side glass panels using a standard glass cleaner. The glass panels can be removed for cleaning by reversing the installation procedure shown in the installation section of this manual.
5. Wipe down each box stop w/sign holder using a damp, non-abrasive cloth, then reinstall.

Replacing Display Light Bulbs

WARNING

Use only light bulbs that meet or exceed NSF standards and are specifically designed for food holding areas. Breakage of light bulbs not specially coated could result in personal injury and/or food contamination.

The display lights are incandescent light bulbs that illuminate the warming area. Each bulb has a special coating to guard against injury and food contamination in the event of breakage.

1. Turn off the unit, unplug the power cord, and allow the unit to cool.
2. Unscrew the light bulb from the unit and replace it with a new, specially-coated incandescent light bulb.

NOTE: Hatco shatter-resistant light bulbs meet NSF standards for food holding and display areas. For 120 and 120/208–240 volt applications, use Hatco P/N 02.30.265.00.

**WARNING**

This unit must be serviced by qualified personnel only. Service by unqualified personnel may lead to electric shock or burn.

**WARNING**

ELECTRIC SHOCK HAZARD: Turn OFF power switch, unplug power cord, and allow unit to cool before performing any cleaning, adjustments, or maintenance.

Symptom	Probable Cause	Corrective Action
Light bulb not working.	Light bulb defective.	Replace light bulb.
	Power turned OFF.	Move Power On/Off switch(es) to the On position.
Heated base or shelf not hot enough.	Temperature Control(s) set too low.	Adjust Temperature Control(s) to a higher setting.
	Heating element(s) not working.	Contact an Authorized Hatco Service Agent or Hatco for assistance.
	Temperature Control(s) not working properly.	
	Excessive air movement around unit.	Restrict or redirect air movement (i.e., air conditioning duct or exhaust fan) away from unit.
	Unit connected to incorrect power supply.	Contact an Authorized Hatco Service Agent or Hatco for assistance.
Heated base or shelf too hot.	Temperature Control(s) set too high.	Adjust Temperature Control(s) to a lower setting.
	Temperature Control(s) not working properly.	Contact an Authorized Hatco Service Agent or Hatco for assistance.
	Unit connected to incorrect power supply.	
No heat, but light works.	Temperature Control(s) set too low.	Adjust Temperature Control(s) to a higher setting.
	Heating element(s) not working.	Contact an Authorized Hatco Service Agent or Hatco for assistance.
	Temperature Control(s) not working properly.	
No heat and no lights.	Power turned OFF.	Move Power On/Off switch(es) to the On position.
	Circuit breaker tripped.	Reset circuit breaker. If circuit breaker continues to trip, contact Authorized Service Agent or Hatco for assistance.
	Power switch defective.	Contact an Authorized Hatco Service Agent or Hatco for assistance.

Troubleshooting Questions?

If you continue to have problems resolving an issue, please contact the nearest Authorized Hatco Service Agency or Hatco for assistance. To locate the nearest Service Agency, log onto the Hatco website at www.hatcocorp.com, select the *Support* pull-down menu, and click on "Find A Service Agent"; or contact the **Hatco Parts and Service Team** at:


Telephone: 414-671-6350

e-mail: support@hatcocorp.com

Digital Temperature Controller

The digital temperature controller is factory installed and takes the place of the standard control panel. Use the following procedure to operate the digital temperature controller.

Startup

1. Move the Power I/O (on/off) switch(es) to the **I** (on) position.
 - The corresponding digital temperature controller will energize and the current temperature of the shelf or "LO" will appear on the digital display. "LO" indicates the shelf temperature is below 70°F (21°C).
2. Press the  key three times to verify the setpoint temperature. ("SP" will be displayed after the second press.)
 - The setpoint temperature will be shown for 10 seconds. After 10 seconds, the digital display will revert to the current temperature of the unit. To change the setpoint temperature, refer to "Changing the Setpoint Temperature" in this section.

NOTE: The digital temperature controller is pre-set to a setpoint temperature of 185°F (85°C) at the factory. Once the setpoint temperature is changed, the new setpoint temperature will remain in memory until it is changed again. The minimum to maximum setpoint temperature range is 70°F (21°C) to 200°F (93°C).



BURN HAZARD: Some exterior surfaces on unit will get hot. Use caution when touching these areas.


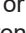


3. Allow unit 15–20 minutes to reach operating temperature.

Shutdown

1. Move the Power I/O (on/off) switch to the **O** (off) position. The digital temperature controller and heating elements will shut off.

Changing the Setpoint Temperature





Use the following procedure to change the setpoint temperature.

1. Press the  key three times. The current setpoint temperature will be shown on the digital display ("SP" will be displayed after the second press).
2. Press the  key or  key within 10 seconds to change the setpoint temperature.
3. Press the  key to lock in the new setpoint temperature. The digital display will go blank for two seconds to show that the new setting has been accepted.

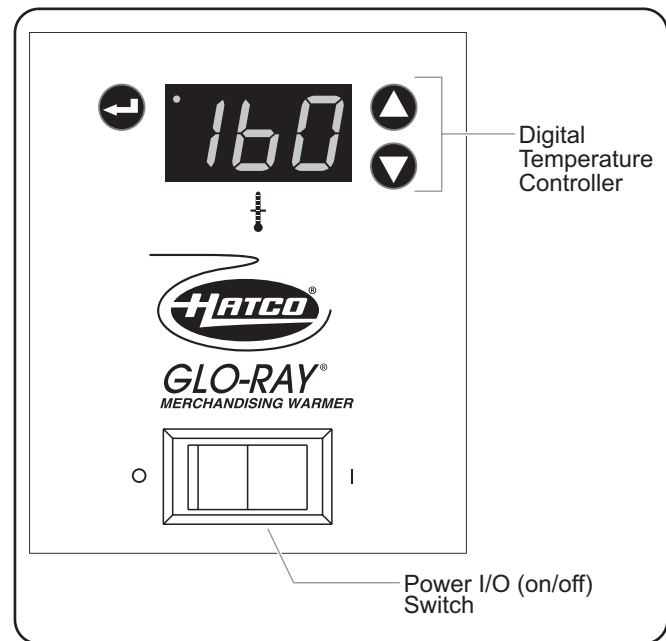
NOTE: After 10 seconds of inactivity during the programming process, the controller will exit programming mode automatically without saving any changes.

Changing Fahrenheit and Celsius Setting

Use the following procedure to change between Fahrenheit and Celsius on the display.

1. Press the  key once. Either an "F" for Fahrenheit or "C" for Celsius will be displayed.
2. Press the  key or  key within 10 seconds to change between "F" (Fahrenheit) and "C" (Celsius).
3. Press the  key three times to lock in the new setting. The digital display will go blank for two seconds to show that the new setting has been accepted.

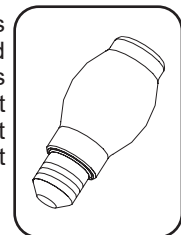
NOTE: After 10 seconds of inactivity during the programming process, the controller will exit programming mode automatically without saving any changes.



Control Panel with Digital Temperature Controller

Halogen Display Light Bulbs

Shatter-resistant halogen display light bulbs can be ordered in place of the standard incandescent display light bulbs. The bulbs have a special coating to guard against injury and food contamination in the event of breakage. For 120 and 120/208–240 volt applications, use Hatco® P/N 02.30.081.00.



Chef LED Bulbs

Chef LED bulbs are available for quadruple shelf models. CHEF LED bulbs are LED light bulbs that offer energy savings over incandescent bulbs.

LED Lights

LED lights are available as factory installed options for dual and triple shelf models. They come in the Warm White color output.

WARRANTY, EXCLUSIVE REMEDY:

Hatco Corporation (Seller) warrants that the products it manufactures (Products) will be free from defects in materials and workmanship under normal use and service and when stored, maintained, and installed in strict accordance with factory recommendations. Seller's sole obligation to the person or entity buying the Products directly from Seller (Customer) under this warranty is the repair or replacement by Seller or a Seller-authorized service agency, at Seller's option, of any Product or any part thereof deemed defective upon Seller's examination, for a period of: (i) the Warranty Duration from the date of shipment by Seller or (ii) the Warranty Duration from the date of Product registration in accordance with Seller's written instructions, whichever is later. The "Warranty Duration" shall mean the specific periods set forth below for specific Product components, or, to the extent not listed below, eighteen (18) months. Credit for Products or parts returned with the prior written permission of Seller will be subject to the terms shown on Seller's material return authorization form. PRODUCTS OR PARTS RETURNED WITHOUT PRIOR WRITTEN PERMISSION OF SELLER WILL NOT BE ACCEPTED FOR CREDIT. Expenses incurred by Customer in returning, replacing, or removing the Products will not be reimbursed by Seller. If the defect comes under the terms of the limited warranty, the Products will be repaired or replaced and returned to the Customer and the cost of return freight will be paid by Seller. The remedy of repair or replacement provided for herein is Customer's exclusive remedy. Any improper use, alteration, repairs, tampering, misapplication, improper installation, application of improper voltage, or any other action or inaction by Customer or others (including the use of any unauthorized service agency) that in Seller's sole judgment adversely affects the Product shall void this warranty. The warranty expressly provided herein may only be asserted by Customer and may not be asserted by Customer's customers or other users of the Products; provided, however, that if Customer is an authorized equipment dealer of Seller, Customer may assign the warranty herein to Customer's customers, subject to all of the limitations of these Terms, and in such case, the warranty shall be exclusively controlled by Seller in accordance with these Terms. THIS LIMITED WARRANTY IS EXCLUSIVE AND IS IN LIEU OF ANY OTHER WARRANTY, EXPRESSED OR IMPLIED, INCLUDING BUT NOT LIMITED TO ANY IMPLIED WARRANTY OF NONINFRINGEMENT, MERCHANTABILITY, OR FITNESS FOR A PARTICULAR PURPOSE, WHICH ARE EXPRESSLY DISCLAIMED.

One (1) Year Parts and Labor PLUS One (1) Additional Year Parts-Only Warranty:

- Conveyor Toaster Elements (metal sheathed)
- Drawer Warmer Elements (metal sheathed)
- Drawer Warmer Drawer Rollers and Slides
- Food Warmer Elements (metal sheathed)
- Display Warmer Elements (metal sheathed air heating)
- Holding Cabinet Elements (metal sheathed air heating)
- Heated Well Elements — HW, HWB, and HWBI Series (metal sheathed)

Two (2) Year Parts and Labor Warranty:

- Induction Ranges
- Induction Warmers

One (1) Year Replacement Warranty:

- TPT Pop-Up Toasters

One (1) Year Parts and Labor PLUS Four (4) Years Parts-Only Warranty:

- 3CS and FR Tanks

One (1) Year Parts and Labor PLUS Nine (9) Years Parts-Only Warranty:

- Electric Booster Heater Tanks
- Gas Booster Heater Tanks

Ninety (90) Day Parts-Only Warranty:

- Replacement Parts

Notwithstanding anything herein to the contrary, the limited warranty herein will not cover components in Seller's sole discretion such as, but not limited to, the following: coated incandescent light bulbs, fluorescent lights, heat lamp bulbs, coated halogen light bulbs, halogen heat lamp bulbs, xenon light bulbs, LED light tubes, glass components, and fuses; Product failure in booster tank, fin tube heat exchanger, or other water heating equipment caused by liming, sediment buildup, chemical attack, or freezing.

WARRANTY REGISTRATION INSTRUCTIONS:

Product registration must be submitted within 90 days from the date of shipment from our factory to qualify for additional coverage. Registration may be submitted through the form on Seller's website, through the form accessible through the QR code on the Product (where available), or by calling Customer Service with the required information at: **414-671-6350**.

LIMITATION OF LIABILITY:

SELLER WILL NOT BE LIABLE FOR ANY INDIRECT, INCIDENTAL, CONSEQUENTIAL, PUNITIVE, EXEMPLARY, OR SPECIAL DAMAGES, INCLUDING WITHOUT LIMITATION ANY LOST PROFITS, COSTS OF SUBSTITUTE PRODUCTS, OR LABOR COSTS ARISING FROM THE SALE, USE, OR INSTALLATION OF THE PRODUCTS, FROM THE PRODUCTS BEING INCORPORATED INTO OR BECOMING A COMPONENT OF ANOTHER PRODUCT, OR FROM ANY OTHER CAUSE WHATSOEVER, WHETHER BASED ON WARRANTY (EXPRESSED OR IMPLIED) OR OTHERWISE BASED ON CONTRACT, TORT, OR ANY OTHER THEORY OF LIABILITY, AND REGARDLESS OF ANY ADVICE OR REPRESENTATIONS THAT MAY HAVE BEEN RENDERED BY SELLER CONCERNING THE SALE, USE, OR INSTALLATION OF THE PRODUCTS, EVEN IF SELLER IS AWARE OF THE POSSIBILITY OF SUCH DAMAGES. IN NO EVENT WILL SELLER'S AGGREGATE LIABILITY ARISING OUT OF OR RELATED TO THIS AGREEMENT EXCEED THE TOTAL AMOUNTS PAID TO SELLER BY CUSTOMER FOR THE PRODUCTS WITHIN THE THREE (3) MONTH PERIOD IMMEDIATELY PRECEDING THE EVENT GIVING RISE TO CUSTOMER'S CLAIM. THE LIMITATIONS SET FORTH HEREIN REGARDING SELLER'S LIABILITY SHALL BE VALID AND ENFORCEABLE NOTWITHSTANDING A FAILURE OF ESSENTIAL PURPOSE OF THE LIMITED REMEDY SPECIFIED IN THESE TERMS.

Seller reserves the right to update these Terms at any time, at its sole discretion, which become binding upon the date of publishing. For the most current version of our full Terms of Sale, see our website at: <https://www.hatcocorp.com/terms-of-sale>

Informations Importantes pour le Propriétaire.....	16	Mode d'emploi	25
Introduction.....	16	Généralités	25
Consignes de Sécurité Importantes	17	Maintenance.....	26
Description du Modèle.....	18	Généralités	26
Désignation du Modèle.....	18	Nettoyage quotidien.....	26
Caractéristiques Techniques	19	Remplacement des ampoules de la vitrine	26
Configuration des Fiches.....	19	Guide de Dépannage.....	27
Tableau des valeurs nominales électriques	19	Options et accessoires.....	28
Dimensions — Butoir avec porte-étiquettes.....	20	Garantie Limitée	29
Dimensions.....	21	Autorisés Distributeurs de Pièces.....	Couverture Arrière
Installation.....	24		
Généralités	24		

INFORMATIONS IMPORTANTES POUR LE PROPRIÉTAIRE

Notez le numéro de modèle, le numéro de série, la tension et la date d'achat de l'appareil dans les espaces ci-dessous (étiquette des caractéristiques techniques située au dos de l'appareil). Veuillez avoir cette information à portée de la main si vous appelez Hatco® pour assistance.

Modèle No. _____

Numéro de série _____

Voltage _____

Date d'achat _____

Enregistrez votre appareil!

- Remplissez la garantie en ligne pour éviter les retards
- pour faire jouer la garantie. Accédez au site Web Hatco
- www.hatcocorp.com, sélectionnez le menu déroulant
- *Support (Assistance)*, puis cliquez sur « Warranty » (Garantie).

Horaires

ouvrables : 7h00 à 17h00 du lundi au vendredi
 Heure du Centre (CT)
 (Horaires d'été—juin à septembre:
 7h00 à 17h00 du lundi au jeudi
 7h00 à 16h00 le vendredi)

Téléphone: +1-414-671-6350

Courriel: support@hatcocorp.com



Service d'assistance et de pièces de rechange disponible 7j/7, 24h/24 aux États-Unis et au Canada en composant le +1-414-671-6350.

Des renseignements supplémentaires sont disponibles sur notre site Web à www.hatcocorp.com.

INTRODUCTION

Les plaques chauffantes pour pizza Hatco Glo-Ray® sont parfaites pour présenter des pizzas emballées dans des boîtes ou des sacs ainsi que d'autres produits alimentaires emballés sur un buffet ou dans un espace de service temporaire. Ces appareils chauffants maintiendront vos aliments chauds emballés à des températures optimales ; ils seront prêts à être servis à tout moment sans que la qualité ne soit altérée. Elles comportent une base chauffante contrôlée par un thermostat pour chaque zone de chauffe afin de prolonger les temps de conservation de la plupart des plats. Ces appareils disposent également de lampes à incandescence et d'un cordon avec fiche électrique.

Les chauffe-pizzas Glo-Ray de Hatco sont le fruit de recherches poussées et d'essais sur site complets. Les matériaux utilisés ont été sélectionnés pour une durabilité maximale, une esthétique et des performances optimales. Chaque appareil est minutieusement inspecté et testé avant expédition.

Ce manuel fournit les instructions d'installation et d'utilisation des chauffe-pizzas Glo-Ray, et les consignes de sécurité associées. Hatco vous recommande de lire l'ensemble des instructions d'installation, de sécurité et de fonctionnement contenues dans ce manuel avant d'installer et d'utiliser l'appareil.

Les consignes de sécurité qui apparaissent dans ce manuel sont identifiées par les mots indicateurs suivants :



AVERTISSEMENT indique une situation dangereuse qui, si elle n'est pas évitée, peut provoquer la mort ou des blessures graves.



ATTENTION indique une situation dangereuse qui, si elle n'est pas évitée, peut provoquer des blessures légères ou moyennes.

AVIS

AVIS est utilisé pour des questions sans rapport avec des blessures corporelles.



Lisez les consignes de sécurité importantes suivantes avant d'utiliser cet équipement pour éviter toute blessure grave ou la mort et pour éviter d'endommager l'équipement ou la propriété.

⚠ AVERTISSEMENT

DANGER DE DÉCHARGE ÉLECTRIQUE :

- Brancher l'appareil sur une prise de courant avec terre de tension, de format et de configuration des broches corrects. Si la fiche et la prise ne se correspondent pas, s'adresser à un électricien qualifié pour déterminer et installer une prise de courant de format et de tension corrects.
- Mettez l'unité hors tension depuis l'interrupteur, débranchez le cordon d'alimentation et laissez l'unité refroidir avant d'effectuer tout nettoyage, tout réglage ou tout entretien.
- NE PAS immerger l'appareil ni le saturer d'eau. L'appareil n'est pas étanche à l'eau. Ne pas le faire fonctionner s'il a été immergé ou saturé d'eau.
- Ne pas nettoyer à la vapeur ni utiliser trop d'eau sur l'appareil.
- Cet appareil n'est pas étanche aux jets. Ne pas utiliser de jet sous pression pour nettoyer l'appareil.
- L'appareil n'est pas à l'épreuve des intempéries. Placer l'appareil à l'intérieur à une température ambiante de 21°C (70°F) minimum.
- Ne pas utiliser l'appareil si le cordon est endommagé ou usé.
- Ne pas tirer l'appareil par son cordon électrique.
- Ne pas tenter de réparer ni de changer un cordon électrique endommagé. Ce cordon doit être changé par Hatco, par un réparateur Hatco agréé ou par une personne de qualifications comparables.
- Ne nettoyez pas l'appareil tant qu'il est branché ou chaud.
- Cette unité doit être entretenue uniquement par des personnes qualifiées. Un entretien réalisé par des personnes non-qualifiées peut entraîner des décharges électriques ou provoquer des brûlures.
- Utilisez uniquement des pièces de rechange d'origine Hatco lorsque l'entretien est nécessaire. Utilisez des pièces détachées Hatco authentiques sous peine d'annuler toutes les garanties et d'exposer l'utilisateur à des tensions électriques dangereuses pouvant entraîner une électrocution ou des brûlures. Les pièces de rechange authentiques Hatco sont spécifiées pour fonctionner en toute sécurité dans les environnements dans lesquels elles sont utilisées. Certaines pièces de rechange génériques ou d'après-vente n'ont pas les caractéristiques qui leur permettent d'opérer en toute sécurité dans les équipements Hatco.

DANGER D'INCENDIE : Placez l'unité à au moins 25 mm (1") de murs ou de matières inflammables. Si ces distances de sécurité ne sont pas respectées, une décoloration ou une combustion peut se produire.

N'utilisez que des ampoules électriques qui correspondent ou qui sont supérieures aux normes de la NSF et qui sont spécifiquement conçues pour les espaces de conservation des aliments. Les bris d'une ampoule non équipée d'un revêtement adapté peuvent provoquer des dommages corporels et/ou une contamination des aliments.

⚠ AVERTISSEMENT

S'assurer que la nourriture a été chauffée à une température adaptée à une alimentation saine avant de la placer sur l'appareil. Le non-chauffage des aliments à une température appropriée peut poser un grand risque pour la santé. Cet appareil n'est destiné qu'à maintenir des aliments préchauffés au chaud.

Hatco Corporation n'est pas responsable de la température réelle à laquelle les aliments sont servis. Il est de la responsabilité de l'utilisateur de s'assurer que les produits alimentaires sont maintenus et servis à une température sans danger.

Ne placez aucun produit alimentaire directement sur une surface à revêtement dur. Les produits alimentaires doivent être emballés, placés dans une boîte ou dans un bac alimentaire.

Assurez-vous que tous les opérateurs ont été formés à l'utilisation sûre et correcte de l'appareil.

Cet appareil ne doit pas être utilisé par des enfants ou des personnes avec des capacités physiques, sensorielles ou mentales diminuées. Assurez-vous que les enfants sont bien surveillés et tenez-les à l'écart de l'appareil.

Cet appareil ne contient aucune pièce réparable par l'utilisateur. Si cet appareil doit être réparé, contacter un réparateur Hatco agréé ou le Service après-vente Hatco au +1-414-671-6350.

⚠ ATTENTION

DANGER DE BRÛLURE : Certaines surfaces extérieures de l'appareil deviennent chaudes. Toucher ces zones de l'appareil avec précaution.

Placez l'unité à une hauteur adaptée au comptoir, à un emplacement pratique à utiliser. L'emplacement doit être plan pour éviter que l'unité ou son contenu ne tombe accidentellement, et suffisamment solide pour supporter le poids de l'unité et de son contenu.

La NSF exige que les appareils de plus de 914 mm (36") de large ou pesant plus de 36 kg (80 lbs.) soient fixés sur ou surélevés par rapport à la surface d'installation. Si l'appareil ne peut pas être fixé sur l'emplacement d'utilisation, des pieds de 102 mm (4") sont fournis pour permettre le nettoyage en dessous de l'appareil.

AVIS

Ne couchez pas l'unité sur le côté comportant le panneau de commande. L'unité pourrait être endommagée.

Utilisez seulement des nettoyants non abrasifs et des chiffons doux. Les chiffons et nettoyant abrasifs pourraient érafler la finition de l'unité, entachant son apparence et la rendant susceptible à l'accumulation de saleté.

Nettoyez l'unité quotidiennement pour éviter les dysfonctionnements et assurer un fonctionnement sain.

Ne placez pas l'appareil dans un endroit où la circulation de l'air est trop forte. Évitez les zones pouvant être soumises à des mouvements d'air ou à des courants d'air actifs (comme à proximité de ventilateurs d'échappement/ de hottes d'aspiration, de conduites de climatisation et de portes extérieures).

Tous les modèles

Toutes les plaques chauffantes pour pizza Hatco® Glo-Ray® sont fabriquées en aluminium et acier inoxydable. Elles comportent des panneaux latéraux en verre trempé (sauf sur les modèles à un seul rayonnage), un interrupteur séparé pour l'alimentation de chaque zone de chauffe, une commande de la température pour chaque zone de chauffe, un éclairage à incandescence, des pieds/supports et un jeu de cordon et fiche électriques. La plage de température de service de chaque base chauffante est comprise entre la température ambiante et environ 85°C (185°F).

Modèles GRPWS-xxxx

Les plaques chauffantes pour pizza Glo-Ray sont disponibles en 610 mm, 914 mm et 1 219 mm de largeur (24", 36" et 48") et 457 ou 610 mm de profondeur (18" ou 24"). Les appareils se déclinent en modèles à un, deux, trois ou quatre rayonnages.

NOTA: Les modèles à un rayonnage sont uniquement disponibles en 610 mm (24") de profondeur.

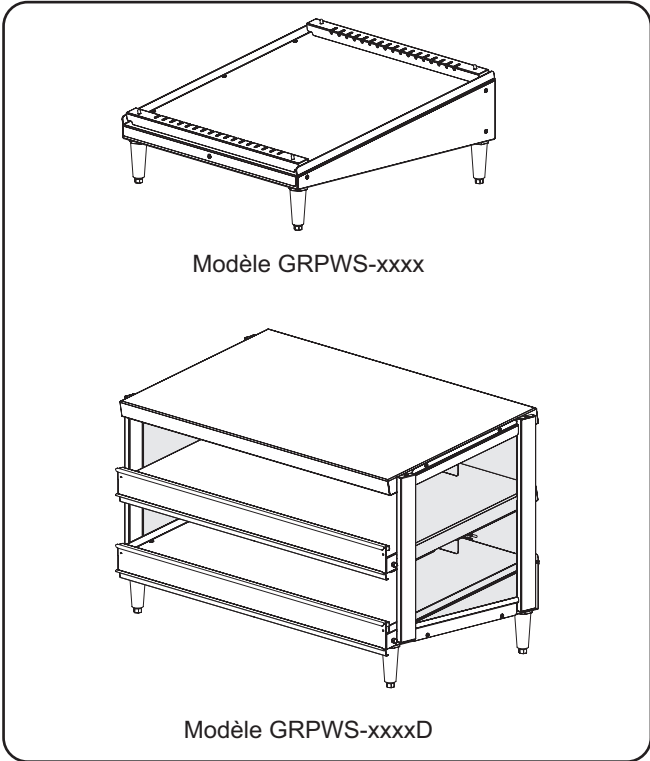
NOTA: Reportez-vous à la rubrique OPTIONS ET ACCESSOIRES pour en savoir plus sur toutes les options disponibles en matière d'éclairage.



Modèle GRPWS-xxxxT

Modèle GRPWS-xxxxQ

Modèles GRPWS-xxxxT and GRPWS-xxxxQ

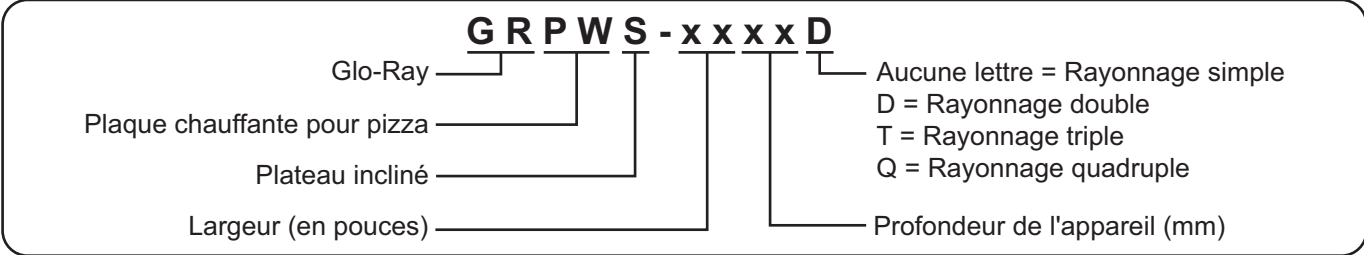


Modèle GRPWS-xxxx

Modèle GRPWS-xxxxD

Modèles GRPWS-xxxx and GRPWS-xxxxD

DÉSIGNATION DU MODÈLE



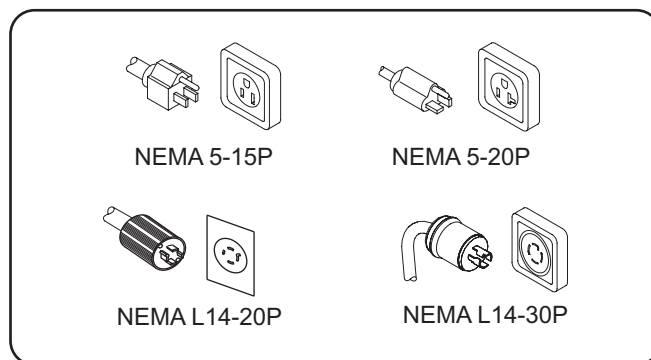
Configuration des fiches

Les appareils sont livrés avec un cordon électrique avec fiche. Différentes fiches sont fournies selon les applications.

AVERTISSEMENT

DANGER DE DÉCHARGE ÉLECTRIQUE : Brancher l'appareil sur une prise de courant avec terre de tension, de format et de configuration des broches corrects. Si la fiche et la prise ne se correspondent pas, s'adresser à un électricien qualifié pour déterminer et installer une prise de courant de format et de tension corrects.

NOTA: Prise non fournie par Hatco.



Configuration des fiches

Tableau des valeurs nominales électriques — GRPWS-xxxx Modèles

Modèle	Tension	Puissance	Intensité	Configuration de Fiches	Poids d'embarquement
GRPWS-2424	120 V	345 W	2.9 A	NEMA 5-15P	18 kg (40 lbs.)
GRPWS-3624	120 V	505 W	4.2 A	NEMA 5-15P	20 kg (45 lbs.)
GRPWS-4824	120 V	660 W	5.5 A	NEMA 5-15P	27 kg (60 lbs.)

Tableau des valeurs nominales électriques — GRPWS-xxxxD Modèles

Modèle	Tension	Puissance	Intensité	Configuration de Fiches	Poids d'embarquement
GRPWS-2418D	120 V	960 W	8.0 A	NEMA 5-15P	34 kg (76 lbs.)
GRPWS-3618D	120 V	1440 W	12.0 A	NEMA 5-15P	41 kg (91 lbs.)
GRPWS-4818D	120 V	1920 W	16.0 A	NEMA 5-20P	62 kg (136 lbs.)
	120/208-240 V		8.0 A	NEMA L14-20P	
GRPWS-2424D	120 V	1200 W	10.0 A	NEMA 5-15P	49 kg (108 lbs.)
GRPWS-3624D	120 V	1800 W	15.0 A	NEMA 5-15P *	62 kg (136 lbs.)
GRPWS-4824D	120/208-240 V	2390 W	10.0 A	NEMA L14-20P	80 kg (177 lbs.)

Tableau des valeurs nominales électriques — GRPWS-xxxxT Modèles

Modèle	Tension	Puissance	Intensité	Configuration de Fiches	Poids d'embarquement
GRPWS-2418T	120 V	1440 W	12.0 A	NEMA 5-15P	44 kg (98 lbs.)
GRPWS-3618T	120/208-240 V	2160 W	12.0 A	NEMA L14-20P	62 kg (136 lbs.)
GRPWS-4818T	120/208-240 V	2880 W	16.0 A	NEMA L14-20P	79 kg (175 lbs.)
GRPWS-2424T	120 V	1800 W	15.0 A	NEMA 5-15P *	56 kg (123 lbs.)
GRPWS-3624T	120/208-240 V	2700 W	15.0 A	NEMA L14-20P	79 kg (175 lbs.)
GRPWS-4824T	120/208-240 V	3585 W	20.0 A	NEMA L14-30P	103 kg (227 lbs.)

* NEMA 5-20P pour le Canada.

Tableau des valeurs nominales électriques — GRPWS-xxxxQ Modèles

Modèle	Tension	Puissance	Intensité	Configuration de Fiches	Poids d'embarquement
GRPWS-2418Q	120 V‡	1920 W	16.0 A	NEMA 5-20P	54 kg (119 lbs.)
	120/208–240 V		8.0 A	NEMA L14-20P	
GRPWS-3618Q	120/208–240 V	2880 W	12.0 A	NEMA L14-20P	71 kg (157 lbs.)
GRPWS-4818Q	120/208–240 V	3840 W	16.0 A	NEMA L14-20P	97 kg (214 lbs.)
GRPWS-2424Q	120/208–240 V	2400 W	10.0 A	NEMA L14-20P	69 kg (151 lbs.)
GRPWS-3624Q	120/208–240 V	3600 W	15.0 A	NEMA L14-20P	97 kg (214 lbs.)
GRPWS-4824Q	120/208–240 V	4780 W	20.0 A	NEMA L14-20P †	126 kg (277 lbs.)

† NEMA L14-30P pour le Canada.

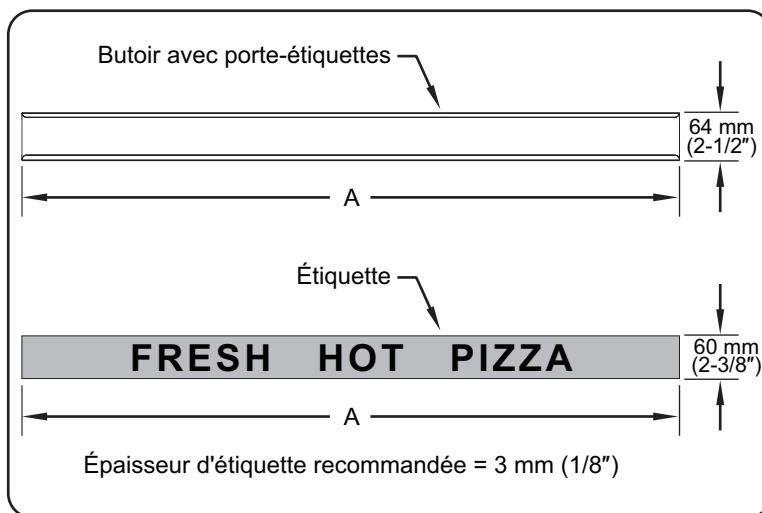
‡ Non disponible au Canada.

Dimensions — Butoir avec porte-étiquettes

Modèle	Butoir/Largeur porte-étiquettes (A)
GRPWS-24xxD GRPWS-24xxT GRPWS-24xxQ	565 mm (22-1/4")
GRPWS-36xxD GRPWS-36xxT GRPWS-36xxQ	870 mm (34-1/4")
GRPWS-48xxD GRPWS-48xxT GRPWS-48xxQ	1175 mm (46-1/4")

NOTA: La signalisation n'est pas fournie par Hatco.

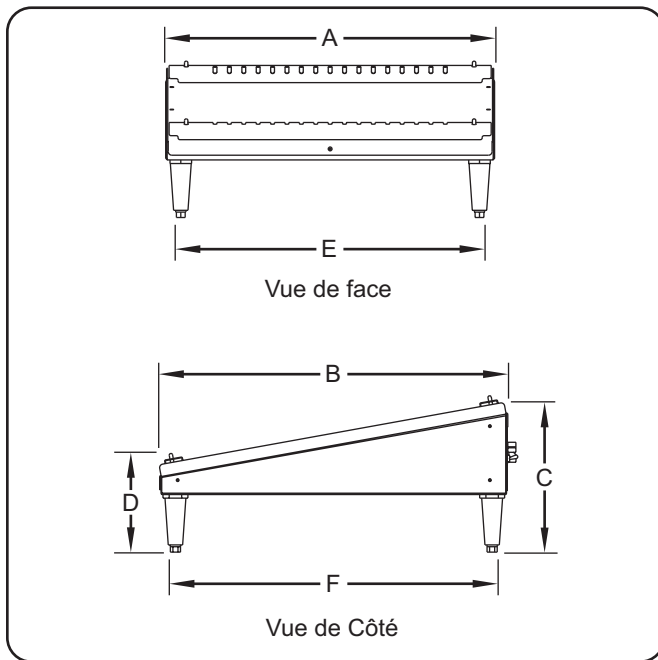
NOTA: Le butoir avec porte-étiquettes n'est pas disponible pour les modèles à un seul rayonnage (GRPWS-xxxx).



Dimensions du butoir avec porte-étiquettes

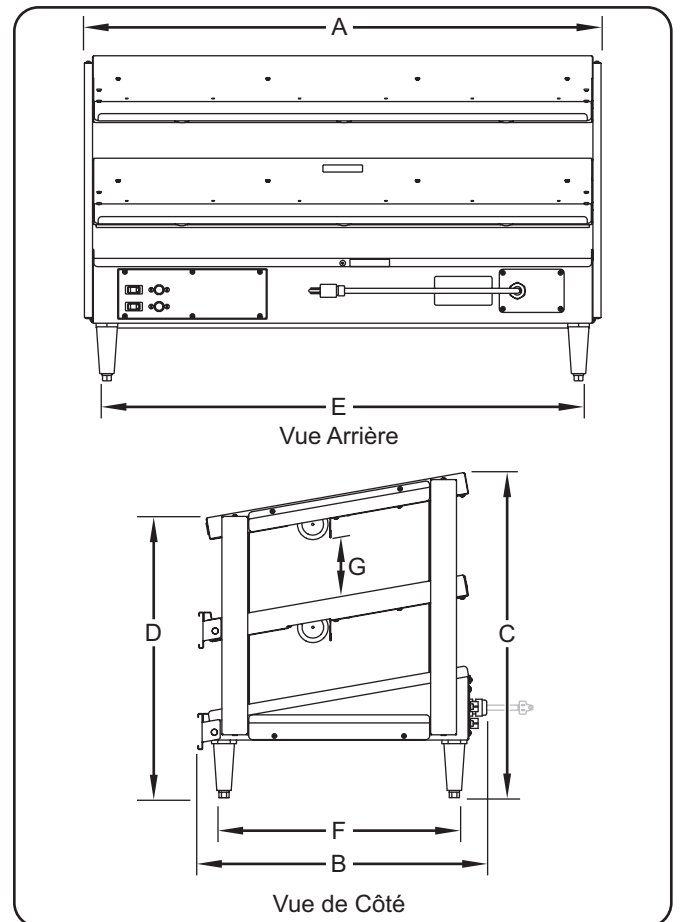
Dimensions — GRPWS-xxxx and GRPWS-xxxxD Modèles

Modèle	Largeur (A)	Profondeur (B)	Hauteur (C)†	Hauteur (D)†	Empattement Largeur (E)	Empattement Profondeur (F)	Hauteur du rayonnage (G)
GRPWS-2424	581 mm (22-7/8")	616 mm (24-1/4")	264 mm (10-3/8")	174 mm (6-7/8")	511 mm (20-1/8")	543 mm (21-3/8")	---
GRPWS-3624	886 mm (34-7/8")	616 mm (24-1/4")	264 mm (10-3/8")	174 mm (6-7/8")	816 mm (32-1/8")	543 mm (21-3/8")	---
GRPWS-4824	1191 mm (46-7/8")	616 mm (24-1/4")	264 mm (10-3/8")	174 mm (6-7/8")	1121 mm (44-1/8")	543 mm (21-3/8")	---
GRPWS-2418D	606 mm (23-7/8")	509 mm (20-1/16")	573 mm (22-9/16")	494 mm (19-1/2")	511 mm (20-1/8")	391 mm (15-3/8")	104 mm (4-1/8")
GRPWS-3618D	911 mm (35-7/8")	509 mm (20-1/16")	573 mm (22-9/16")	494 mm (19-1/2")	816 mm (32-1/8")	391 mm (15-3/8")	104 mm (4-1/8")
GRPWS-4818D	1216 mm (47-7/8")	509 mm (20-1/16")	573 mm (22-9/16")	494 mm (19-1/2")	1121 mm (44-1/8")	391 mm (15-3/8")	104 mm (4-1/8")
GRPWS-2424D	606 mm (23-7/8")	662 mm (26-1/16")	600 mm (23-5/8")	494 mm (19-1/2")	511 mm (20-1/8")	543 mm (21-3/8")	104 mm (4-1/8")
GRPWS-3624D	911 mm (35-7/8")	662 mm (26-1/16")	600 mm (23-5/8")	494 mm (19-1/2")	816 mm (32-1/8")	543 mm (21-3/8")	104 mm (4-1/8")
GRPWS-4824D	1216 mm (47-7/8")	662 mm (26-1/16")	600 mm (23-5/8")	494 mm (19-1/2")	1121 mm (44-1/8")	543 mm (21-3/8")	104 mm (4-1/8")



GRPWS-xxxx Dimensions

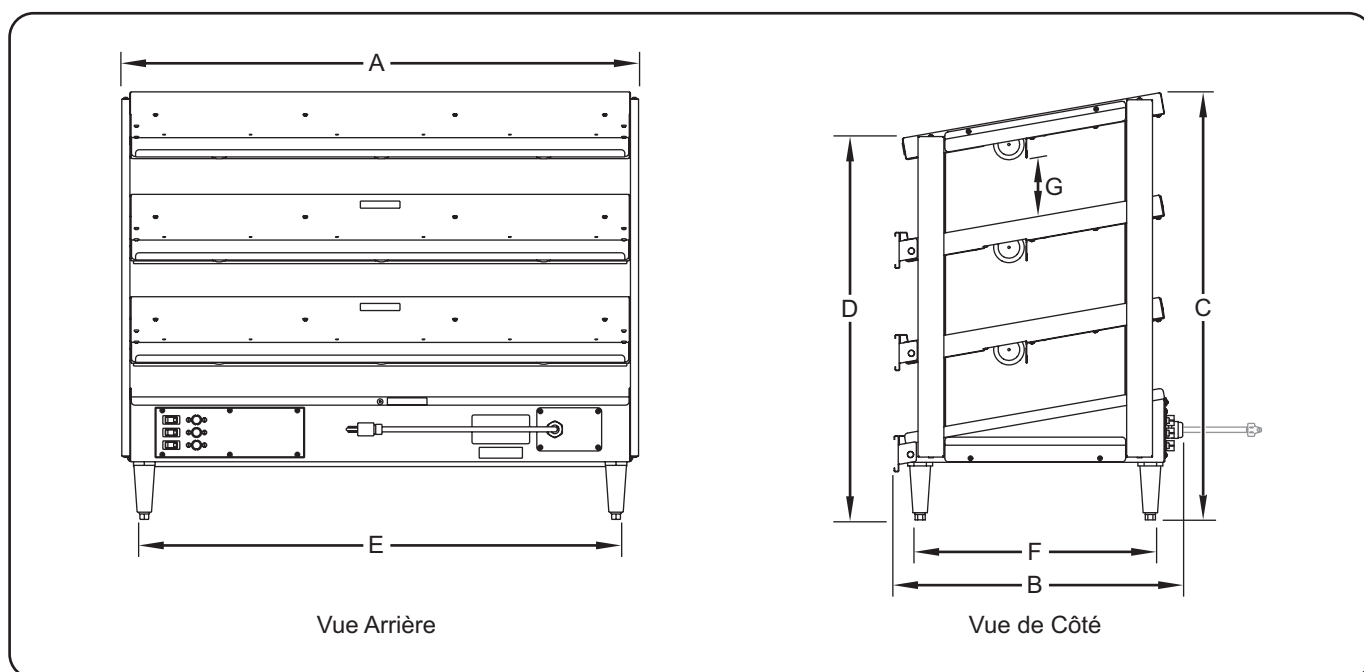
† La hauteur (C et D) comprend les pieds de 102 mm (4"). Retranchez 102 mm (4") à la hauteur (C et D) si l'appareil est fixé au plan de travail. Retranchez 76 mm (3") à la hauteur (C et D) si l'appareil est équipé des pieds de 25 mm (1").



GRPWS-xxxxD Dimensions

Dimensions — GRPWS-xxxxT Modèles

Modèle	Largeur (A)	Profondeur (B)	Hauteur (C)†	Hauteur (D)†	Empattement Largeur (E)	Empattement Profondeur (F)	Hauteur du rayonnage (G)
GRPWS-2418T	606 mm (23-7/8")	509 mm (20-1/16")	754 mm (29-11/16")	674 mm (26-9/16")	511 mm (20-1/8")	391 mm (15-3/8")	104 mm (4-1/8")
GRPWS-3618T	911 mm (35-7/8")	509 mm (20-1/16")	754 mm (29-11/16")	674 mm (26-9/16")	816 mm (32-1/8")	391 mm (15-3/8")	104 mm (4-1/8")
GRPWS-4818T	1216 mm (47-7/8")	509 mm (20-1/16")	754 mm (29-11/16")	674 mm (26-9/16")	1121 mm (44-1/8")	391 mm (15-3/8")	104 mm (4-1/8")
GRPWS-2424T	606 mm (23-7/8")	662 mm (26-1/16")	781 mm (30-3/4")	674 mm (26-9/16")	511 mm (20-1/8")	543 mm (21-3/8")	104 mm (4-1/8")
GRPWS-3624T	911 mm (35-7/8")	662 mm (26-1/16")	781 mm (30-3/4")	674 mm (26-9/16")	816 mm (32-1/8")	543 mm (21-3/8")	104 mm (4-1/8")
GRPWS-4824T	1216 mm (47-7/8")	662 mm (26-1/16")	781 mm (30-3/4")	674 mm (26-9/16")	1121 mm (44-1/8")	543 mm (21-3/8")	104 mm (4-1/8")

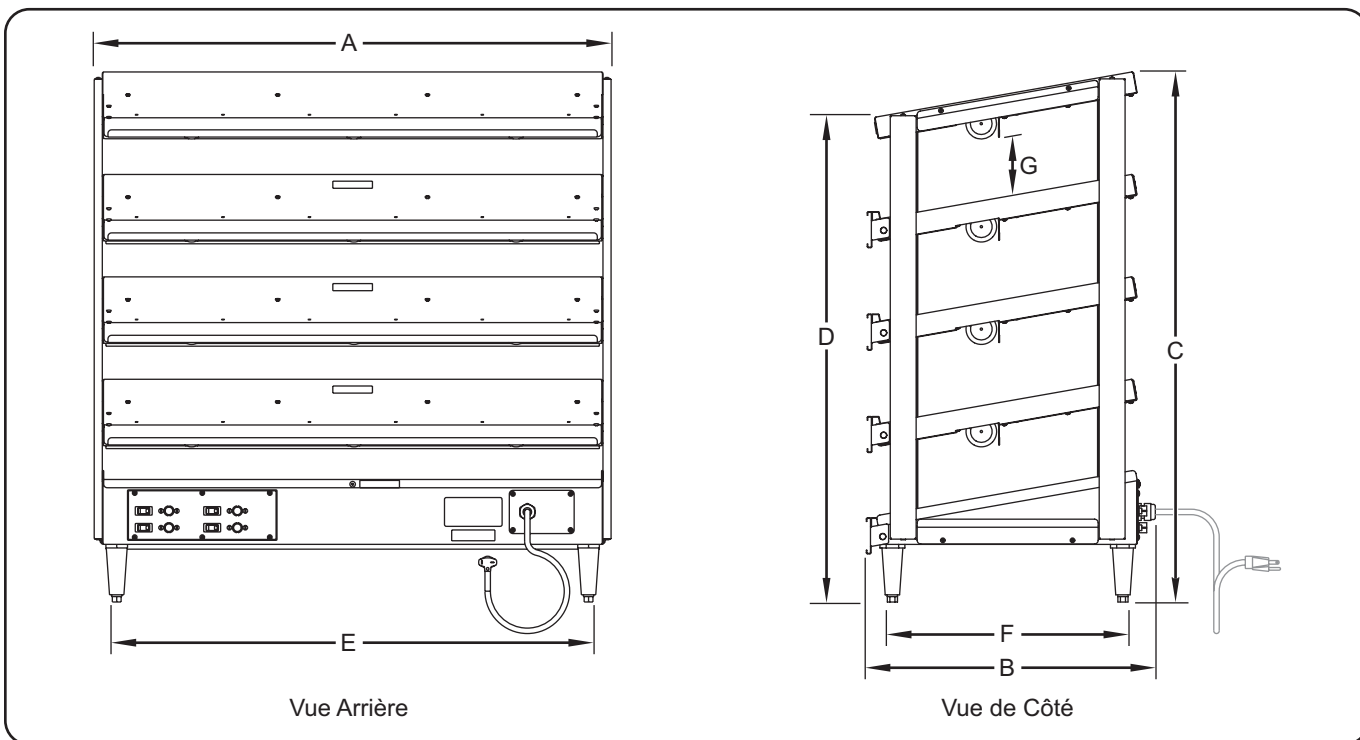


GRPWS-xxxxT Dimensions

† La hauteur (C et D) comprend les pieds de 102 mm (4").
Retranchez 102 mm (4") à la hauteur (C et D) si l'appareil est fixé au plan de travail.

Dimensions — GRPWS-xxxxQ Modèles

Modèle	Largeur (A)	Profondeur (B)	Hauteur (C)†	Hauteur (D)†	Empattement Largeur (E)	Empattement Profondeur (F)	Hauteur du rayonnage (G)
GRPWS-2418Q	606 mm (23-7/8")	509 mm (20-1/16")	935 mm (36-13/16")	855 mm (33-11/16")	511 mm (20-1/8")	391 mm (15-3/8")	104 mm (4-1/8")
GRPWS-3618Q	911 mm (35-7/8")	509 mm (20-1/16")	935 mm (36-13/16")	855 mm (33-11/16")	816 mm (32-1/8")	391 mm (15-3/8")	104 mm (4-1/8")
GRPWS-4818Q	1216 mm (47-7/8")	509 mm (20-1/16")	935 mm (36-13/16")	855 mm (33-11/16")	1121 mm (44-1/8")	391 mm (15-3/8")	104 mm (4-1/8")
GRPWS-2424Q	606 mm (23-7/8")	662 mm (26-1/16")	962 mm (37-7/8")	855 mm (33-11/16")	511 mm (20-1/8")	543 mm (21-3/8")	104 mm (4-1/8")
GRPWS-3624Q	911 mm (35-7/8")	662 mm (26-1/16")	962 mm (37-7/8")	855 mm (33-11/16")	816 mm (32-1/8")	543 mm (21-3/8")	104 mm (4-1/8")
GRPWS-4824Q	1216 mm (47-7/8")	662 mm (26-1/16")	962 mm (37-7/8")	855 mm (33-11/16")	1121 mm (44-1/8")	543 mm (21-3/8")	104 mm (4-1/8")



† La hauteur (C et D) comprend les pieds de 102 mm (4").
Retranchez 102 mm (4") à la hauteur (C et D) si l'appareil est fixé au plan de travail.

Généralités

Les chauffe-pizzas Glo-Ray® sont expédiés avec la plupart des composants pré-assemblés. Prenez les précautions d'usage pour déballer le produit du carton d'expédition afin d'éviter d'endommager l'appareil et ses composants.

AVERTISSEMENT

DANGER DE DÉCHARGE ÉLECTRIQUE : L'appareil n'est pas à l'épreuve des intempéries. Placer l'appareil à l'intérieur à une température ambiante de 21°C minimum.

DANGER D'INCENDIE : Placer l'appareil à un minimum de 25 mm des parois et matières combustibles. Si une distance sûre n'est pas maintenue, la chaleur peut provoquer une combustion ou une altération de couleur.

ATTENTION

La NSF exige que les appareils de plus de 914 mm (36") de large ou pesant plus de 36 kg (80 lbs.) soient fixés sur ou surélevés par rapport à la surface d'installation. Si l'appareil ne peut pas être fixé sur l'emplacement d'utilisation, des pieds de 102 mm (4") sont fournis pour permettre le nettoyage en dessous de l'appareil.

1. Retirez l'appareil du carton. Cette étape nécessite deux personnes.

NOTA: Pour éviter des retards dans l'obtention de la couverture de la garantie, complétez l'enregistrement en ligne de votre garantie. Lisez la section INFORMATIONS IMPORTANTES POUR LE PROPRIÉTAIRE pour plus de détails.

2. Retirer le ruban et le film de protection de toutes les surfaces de l'appareil.

AVIS

Ne couchez pas l'unité sur le côté comportant le panneau de commande. L'unité pourrait être endommagée.

3. Installez les goujons de pied de 25 mm (1") munis de pieds en caoutchouc ou les supports réglables de 102 mm (4"). Cette étape nécessite deux personnes.

a. Couchez soigneusement l'appareil sur le côté.

b. Installez les pieds ou les supports.

Pour installer les pieds en caoutchouc de 25 mm (1") :

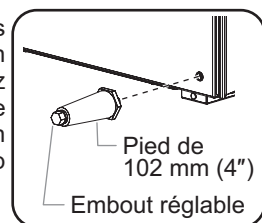
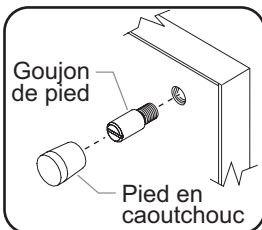
- Introduisez un goujon de pied dans l'orifice situé à chaque coin du dessous de l'unité. Serrez fermement.

- Enfilez un pied en caoutchouc sur chaque goujon de pied.

Pour installer les supports réglables de 102 mm (4") :

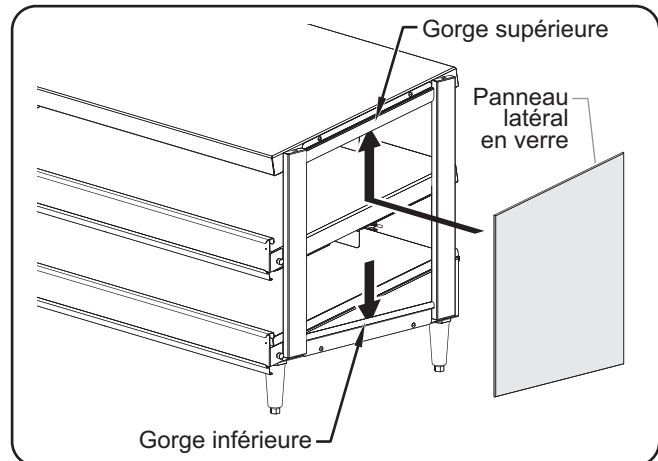
- Introduisez un support dans l'orifice situé à chaque coin du dessous de l'unité. Serrez manuellement jusqu'à ce que les supports soient bien ajustés. Ne serrez pas trop fort.

c. Remplacez l'appareil à l'endroit.



NOTA: Les supports de 102 mm (4") sont réglables pour ajuster la hauteur de l'unité. Utiliser une clé à fourche de 16 mm (5/8") pour effectuer des réglages de mise à niveau une fois que l'appareil est placé dans sa position finale.

4. Faites glisser chaque panneau latéral en verre dans la gorge supérieure, puis faites descendre délicatement le panneau dans la gorge inférieure.

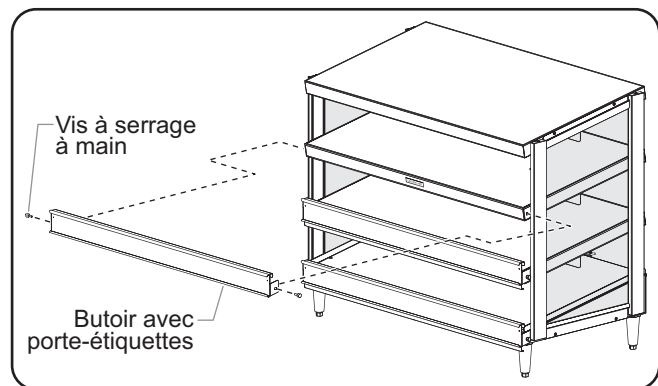


Installation des panneaux latéraux en verre (modèle illustré : GRPWS-xxxxD)

5. Placez le butoir/porte-étiquettes sur chaque rayonnage. Pour procéder à l'installation :

a. Placez le butoir sur l'étagère.

b. Fixez chaque extrémité du butoir à l'aide des vis fournies.



Installation du butoir avec porte-étiquettes (modèle illustré : GRPWS-xxxxT)

NOTA: L'appareil doit rester droit pendant le transport.

6. Placer l'appareil à l'endroit souhaité.

- Placez l'appareil dans une zone où la température ambiante est toujours de 21°C (70°F) minimum. Évitez les zones situées dans les courants d'air (par exemple à proximité d'une porte extérieure, des ventilateurs d'échappement/hottes, des conduites de climatisation, etc.).
- S'assurer que l'appareil est sur un plan de travail de hauteur correcte à un endroit qui convient pour son utilisation.
- S'assurer que le plan de travail est de niveau et suffisamment solide pour résister au poids de l'appareil et des produits alimentaires.
- Vérifier que tous les pieds sous l'appareil reposent solidement sur le plan de travail.

Généralités

Observez les procédures suivantes pour utiliser les plaques chauffantes pour pizza Glo-Ray®.

⚠ AVERTISSEMENT

Lire tous les messages de sécurité de la section Consignes de sécurité importantes avant d'utiliser ce matériel.

Ne placez aucun produit alimentaire directement sur une surface à revêtement dur. Les produits alimentaires doivent être emballés, placés dans une boîte ou dans un bac alimentaire.

Panneau de contrôle

Voici la description des commandes utilisées pour faire fonctionner l'appareil. Toutes les commandes se trouvent sur le panneau de commande à l'arrière de l'appareil.

☰ Icône de la source de chaleur

L'icône de la source de chaleur est représentée par une, deux, trois ou quatre barres apparaissant sous l'interrupteur marche/arrêt de chaque étagère chauffante. Chaque barre sur l'icône représente une étagère chauffante, en commençant par le socle. La barre rouge indique quelle étagère chauffante est contrôlée par l'interrupteur marche/arrêt et le bouton de commande de température correspondants.

Interrupteur marche/arrêt de l'alimentation

Le(s) interrupteur(s) marche/arrêt contrôlent l'alimentation d'une seule étagère chauffante. L'icône de la source de chaleur sous l'interrupteur indique quelle étagère chauffante correspond à cet interrupteur.

Bouton(s) de commande de température

Le(s) bouton(s) de contrôle de la température contrôlent la chaleur vers une étagère. L'icône de la source de chaleur indique quelle étagère correspond à ce bouton. Tourner la commande de température dans le sens des aiguilles d'une montre augmentera le réglage de la température. Tourner la commande de température dans le sens inverse des aiguilles d'une montre réduira le réglage de la température.

NOTA: Chaque étagère chauffante peut être contrôlée indépendamment.

Fonctionnement de l'appareil

Mise en marche

1. Brancher l'appareil sur une prise électrique correctement mise à la terre du type, de la taille et de la tension corrects. Voir des détails à la section CARACTÉRISTIQUES TECHNIQUES.
2. Allumez le nombre de plaques souhaité, selon le modèle. Pour chaque plaque :
 - a. Placez l'interrupteur marche/arrêt de l'alimentation sur la position « marche ». L'éclairage supérieur s'allume et la plaque commence à chauffer.

NOTA: L'interrupteur Marche/Arrêt doit être en position Marche pour que la plaque chauffante correspondante fonctionne.

⚠ ATTENTION

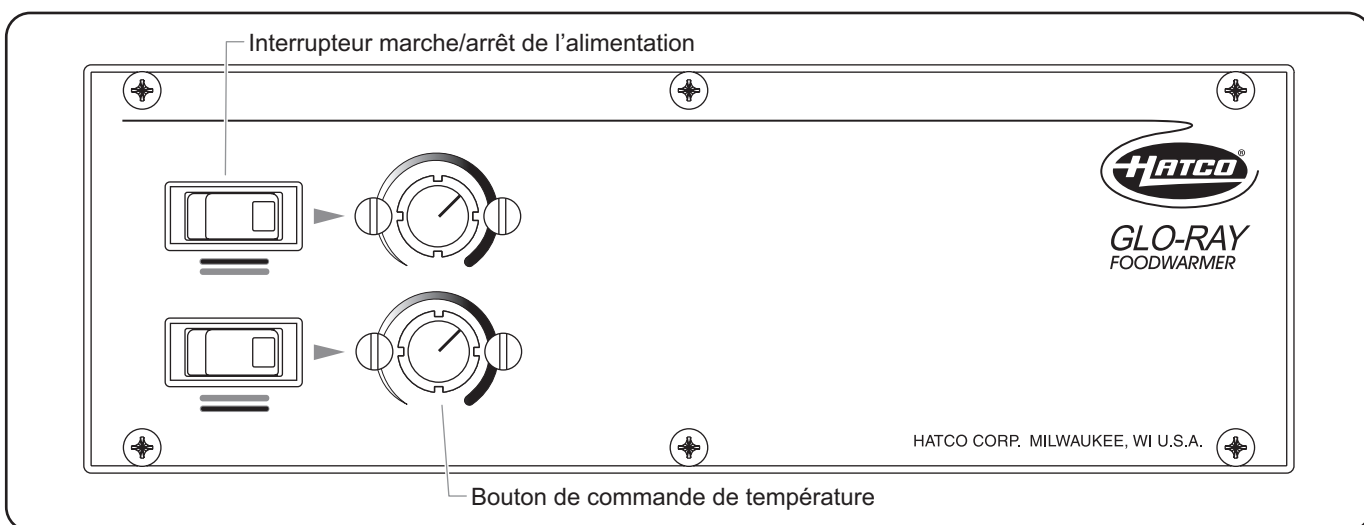
DANGER DE BRÛLURE : Certaines surfaces extérieures de l'appareil deviennent chaudes. Toucher ces zones de l'appareil avec précaution.

- b. Tournez le bouton de réglage de la température pour obtenir la température souhaitée sur la plaque correspondante. Tourner le bouton de commande de la température dans le sens des aiguilles d'une montre pour augmenter le réglage de température. Tourner le bouton de commande de la température dans le sens inverse des aiguilles d'une montre pour baisser le réglage de température.
3. Attendre 30 minutes que l'appareil ait le temps d'atteindre sa température d'exploitation avant d'y placer le produit alimentaire préchauffé.

NOTA: Si l'unité est équipée d'un régulateur de température numérique au lieu d'un bouton de réglage de température classique, consultez la section OPTIONS ET ACCESSOIRES pour obtenir des instructions de fonctionnement.

Arrêt

1. Placez le/les interrupteur(s) marche/arrêt sur la position Arrêt. L'éclairage supérieur et les plaques chauffantes s'éteignent.



Commandes GRPWS (panneau de commande illustré : GRPWS-xxxxD)

Généralités

Les chauffe-pizzas Glo-Ray Hatco® ont été conçus pour fournir une durabilité et une performance maximale, pour un minimum de maintenance.

AVERTISSEMENT

DANGER DE DÉCHARGE ÉLECTRIQUE :

- Mettez l'unité hors tension depuis l'interrupteur, débranchez le cordon d'alimentation et laissez l'unité refroidir avant d'effectuer tout nettoyage, tout réglage ou tout entretien.
- **NE PAS immerger l'appareil ni le saturer d'eau.** L'appareil n'est pas étanche à l'eau. Ne pas le faire fonctionner s'il a été immergé ou saturé d'eau.
- **Cet appareil n'est pas étanche aux jets. Ne pas utiliser de jet sous pression pour nettoyer l'appareil.**
- **Ne pas nettoyer à la vapeur ni utiliser trop d'eau sur l'appareil.**
- **Ne nettoyez pas l'appareil tant qu'il est branché ou chaud.**
- **Utilisez uniquement des pièces de rechange d'origine Hatco lorsque l'entretien est nécessaire. Utilisez des pièces détachées Hatco authentiques sous peine d'annuler toutes les garanties et d'exposer l'utilisateur à des tensions électriques dangereuses pouvant entraîner une électrocution ou des brûlures. Les pièces de rechange authentiques Hatco sont spécifiées pour fonctionner en toute sécurité dans les environnements dans lesquels elles sont utilisées. Certaines pièces de rechange génériques ou d'après-vente n'ont pas les caractéristiques qui leur permettent d'opérer en toute sécurité dans les équipements Hatco.**

Cet appareil ne contient aucune pièce réparable par l'utilisateur. Si cet appareil doit être réparé, contacter un réparateur Hatco agréé ou le Service après-vente Hatco au +1-414-671-6350.

Nettoyage quotidien

Pour préserver la finition de l'appareil et maintenir la performance, il est recommandé de nettoyer tous les jours l'appareil.

AVIS

Utilisez seulement des nettoyeurs non abrasifs et des chiffons doux. Les chiffons et nettoyeur abrasifs pourraient érafler la finition de l'unité, entachant son apparence et la rendant susceptible à l'accumulation de saleté.

Nettoyez l'unité quotidiennement pour éviter les dysfonctionnements et assurer un fonctionnement sain.

1. Éteignez l'appareil, débranchez le cordon d'alimentation et laissez l'appareil refroidir.
2. Retirez le butoir avec le porte-étiquettes de chaque rayonnage en dévissant chaque extrémité du butoir.
3. Essuyez l'ensemble des surfaces intérieures et extérieures à l'aide d'un chiffon doux et humide. Vous pourrez utiliser un nettoyeur non-abrasif pour éliminer les tâches difficiles. Les recoins difficiles d'accès doivent être nettoyés à l'aide d'une petite brosse et de savon doux.
4. Nettoyez les panneaux latéraux vitrés à l'aide d'un nettoyeur pour vitres traditionnel. Les panneaux vitrés peuvent être retirés pour le nettoyage en inversant la procédure d'installation décrite à la section installation de ce manuel.
5. Essuyez chaque butoir avec porte-étiquettes à l'aide d'un chiffon doux et humide, puis réinstallez-les.

Remplacement des ampoules de la vitrine

AVERTISSEMENT

N'utilisez que des ampoules électriques qui correspondent ou qui sont supérieures aux normes de la NSF et qui sont spécifiquement conçues pour les espaces de conservation des aliments. Les bris d'une ampoule électrique non équipée d'un revêtement adapté peuvent provoquer des dommages corporels et/ou une contamination des aliments.

L'éclairage de la vitrine se compose d'ampoules incandescentes qui éclairent la zone de chauffage. Chaque ampoule est recouverte d'un enduit spécial pour éviter toute blessure et toute contamination des éléments en cas de casse.

1. Éteignez l'appareil, débranchez le cordon d'alimentation et laissez l'appareil refroidir.
2. Dévissez l'ampoule de l'appareil, et remplacez-la par une nouvelle ampoule incandescente avec un enduit spécial.

NOTA: Les ampoules lumineuses résistantes aux chocs d'Hatco répondent aux standards de la NSF pour la conservation de la nourriture et les zones d'étalage. Pour les utilisations avec une tension de 120 et 120/208-240, utilisez les références Hatco 02.30.265.00.

⚠ AVERTISSEMENT

La réparation de cet appareil doit être confiée exclusivement à du personnel qualifié. Les réparations par des personnes non qualifiées peuvent provoquer des décharges électriques et des brûlures.

⚠ AVERTISSEMENT

DANGER DE DÉCHARGE ÉLECTRIQUE: Mettez l'unité hors tension depuis l'interrupteur, débranchez le cordon d'alimentation et laissez l'unité refroidir avant d'effectuer tout nettoyage, tout réglage ou tout entretien.

Symptôme	Cause Probable	Solution
L'ampoule ne fonctionne pas.	L'ampoule est défectueuse.	Remplacez l'ampoule.
	Alimentation coupée.	Placez le/les interrupteur(s) Marche/Arrêt sur la position Marche.
Base chauffante ou plaque pas assez chaude.	La contrôle de la température est réglée à un niveau trop faible.	Augmenter le réglage de la température.
	Les éléments chauffants ne fonctionnent pas.	Contactez votre agent de maintenance agréé ou Hatco.
	La commande de température est défectueuse.	
	Mouvement d'air excessif autour de l'appareil.	Restreignez ou redirigez le déplacement d'air (ex : la gaine de climatisation ou le ventilateur d'extraction) à distance de l'appareil.
	L'appareil est branché à une alimentation électrique inappropriée.	Contactez votre agent de maintenance agréé ou Hatco.
Base chauffante ou plaque trop chaude.	La contrôle de la température est réglée à un niveau trop élevé.	Baisser le réglage de la température.
	La commande de température est défectueuse.	Contactez votre agent de maintenance agréé ou Hatco.
	L'appareil est branché à une alimentation électrique inappropriée.	
Pas de chaleur, mais la lumière fonctionne.	La contrôle de la température est réglée à un niveau trop faible.	Augmenter le réglage de la température.
	Les éléments chauffants ne fonctionnent pas.	Contactez votre agent de maintenance agréé ou Hatco.
	La commande de température est défectueuse.	
Pas de chaleur ni de lumière.	L'appareil n'a pas été mis sous tension.	Placer l'interrupteur de marche/arrêt sur Marche.
	Le disjoncteur s'est déclenché.	Redémarrez le disjoncteur. Si le disjoncteur continue de se déclencher, contactez un agent de service agréé ou Hatco pour obtenir de l'aide.
	Interrupteur d'alimentation I/O (marche/arrêt) défectueux.	Contactez votre agent de maintenance agréé ou Hatco.

Vous avez des questions en ce qui concerne les pannes?

Si le problème persiste, veuillez contacter l'agence d'entretien agréée Hatco la plus proche ou Hatco pour obtenir une assistance. Pour trouver l'agence d'entretien la plus proche, rendez-vous sur le site Internet de Hatco (www.hatcocorp.com) et cliquez sur *Find Service Agent* (trouver un agent d'entretien), ou contactez l'équipe chargée de l'entretien et des pièces de Hatco :


Téléphone : 414-671-6350

e-mail: support@hatcocorp.com

Régulateur de température numérique

Le régulateur de température numérique est installé en usine et remplace le panneau de commande standard. Observez la procédure suivante pour utiliser le régulateur de température numérique.

Mise en service

1. Mettez les interrupteur(s) d'alimentation I/O (marche/arrêt) en position « I » (marche).
 - Le régulateur de température numérique correspondant se met en marche et la température actuelle de la plaque ou « LO » apparaît sur l'affichage numérique. « LO » indique que la température de la plaque est inférieure à 21°C (70°F).
2. Appuyez sur la touche  trois fois pour vérifier la température nominale. (Le signe « SP » s'affichera après la deuxième pression).
 - La température nominale sera affichée pendant 10 secondes. Au bout de 10 secondes, l'affichage numérique affichera de nouveau la température actuelle de l'appareil. Pour modifier la température nominale, veuillez vous référer à la procédure « Modification de la température nominale » dans cette section.

NOTA : le régulateur de température numérique est pré-réglé à l'usine à une température nominale de 85°C (185°F). Une fois que vous avez modifié la température nominale, celle-ci sera mémorisée jusqu'au prochain changement. La plage de température nominale va de 21°C (70°F) à 93°C (200°F).



RISQUE DE BRÛLURES: Certaines surfaces extérieures de l'appareil seront chaudes. Soyez prudent lorsque vous touchez ces surfaces.





3. Laissez 15 à 20 minutes à l'appareil pour atteindre sa température de fonctionnement.

Arrêt

1. Mettez l'interrupteur d'alimentation I/O (marche/arrêt) en position « O » (arrêt). Le régulateur de température numérique et les éléments de chauffe vont s'éteindre.

Modification de la température nominale





Suivez la procédure ci-après pour programmer la température nominale.

1. Appuyez sur la touche  trois fois. La température nominale actuelle sera affichée sur l'écran numérique (le signe « SP » s'affichera après la deuxième pression).
2. Appuyez sur la touche  ou  dans les 10 secondes pour changer la température nominale.
3. Appuyez sur la touche  pour verrouiller la nouvelle température nominale. L'affichage numérique restera vierge pendant 2 secondes pour indiquer que les nouveaux paramètres ont été acceptés.

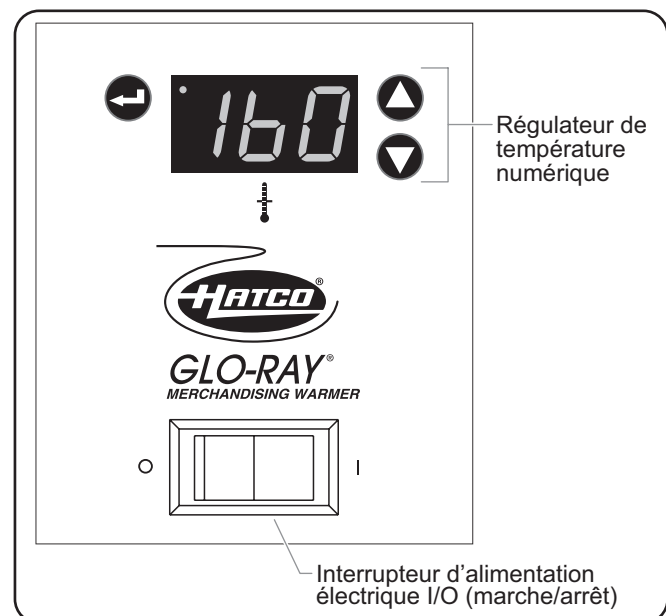
NOTA : Après 10 secondes d'inactivité au cours de la programmation, le régulateur quittera automatiquement le mode programmation sans mémoriser de modifications.

Alternance entre l'affichage Fahrenheit et Celsius

Utilisez la procédure ci-après pour alterner entre l'affichage Fahrenheit et Celsius.

1. Appuyez sur la touche  une fois. Saisissez « F » pour un affichage en Fahrenheit ou « C » pour un affichage en Celsius.
2. Appuyez sur la touche  ou  dans les 10 secondes pour passer d'un affichage en « F » (Fahrenheit) à un affichage en « C » (Celsius) ou vice-versa.
3. Appuyez sur la touche  trois fois pour verrouiller le nouveau paramètre. L'affichage numérique restera vierge pendant 2 secondes pour indiquer que les nouveaux paramètres ont été acceptés.

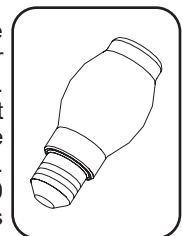
NOTA : Après 10 secondes d'inactivité au cours de la programmation, le régulateur quittera automatiquement le mode programmation sans mémoriser la nouvelle valeur.



Panneau de commande avec régulateur de température numérique

Ampoules halogènes de la vitrine

Des ampoules halogènes antichocs de vitrine peuvent être commandées pour remplacer les ampoules à incandescence classiques. Les ampoules sont recouvertes d'un enduit spécial pour pallier toute blessure et toute contamination des éléments en cas de casse. Pour les utilisations avec une tension de 120 et 120/208-240 volts, utilisez les références Hatco® 02.30.081.00.



Ampoules DEL Chef

Des ampoules DEL Chef sont disponibles pour les modèles à quatre étagères. Les ampoules DEL CHEF sont des ampoules DEL qui permettent des économies d'énergie par rapport aux ampoules à incandescence.

Lumières DEL

Les lumières DEL sont disponibles en tant qu'options installées en usine pour les modèles à deux et trois étagères. Elles sont disponibles en couleur blanc chaud.

GARANTIE, RECOURS EXCLUSIF :

Hatco Corporation (le Vendeur) garantit que les produits qu'elle fabrique (les Produits) seront exempts de défauts de matériaux et de fabrication dans des conditions d'utilisation et de service normales et lorsqu'ils sont stockés, entretenus et installés en stricte conformité avec les recommandations de l'usine. La seule obligation du vendeur envers la personne ou l'entité qui achète les Produits directement auprès du Vendeur (le Client) dans le cadre de cette garantie est la réparation ou le remplacement par le Vendeur ou un organisme de service autorisé par le Vendeur, à la discrétion du Vendeur, de tout Produit ou de toute pièce de celui-ci jugés défectueux par le Vendeur après examen, pendant : (i) la Durée de la garantie à compter de la date d'expédition par le Vendeur ou (ii) la Durée de la garantie à compter de la date d'enregistrement du Produit conformément aux instructions écrites du Vendeur ; la durée la plus longue s'appliquant. La « Durée de la garantie » désigne les périodes spécifiques énoncées ci-dessous pour des composants spécifiques du Produit ou, si ceux-ci ne sont pas énoncés ci-dessous, une période de dix-huit (18) mois. Le crédit pour les Produits ou les pièces retournés avec l'autorisation écrite préalable du Vendeur sera soumis aux conditions indiquées sur le formulaire d'autorisation de retour de matériel du Vendeur. AUCUN CRÉDIT NE SERA ACCORDÉ POUR LES PRODUITS OU LES PIÈCES RETOURNÉS SANS AUTORISATION ÉCRITE PRÉALABLE DU VENDEUR. Les frais engagés par le Client pour retourner, remplacer ou retirer les Produits ne seront pas remboursés par le Vendeur. Si le défaut est couvert par la garantie limitée, les Produits seront réparés ou remplacés et retournés au Client, et les frais de retour seront payés par le Vendeur. La réparation ou le remplacement prévus dans les présentes est le recours exclusif du client. Toute utilisation inappropriée, modification, réparation, altération, mauvaise application, installation incorrecte, application d'une tension inappropriée, ou toute autre action ou inaction par le Client ou d'autres personnes (y compris l'utilisation de tout organisme de service non autorisé) qui, selon le seul jugement du Vendeur, affecte négativement le Produit annule cette garantie. La garantie expressément prévue dans les présentes ne peut être réclamée que par le Client et non par les clients du Client ou d'autres utilisateurs des Produits ; cependant, si le Client est un revendeur d'équipement autorisé par le Vendeur, le Client peut attribuer la garantie aux clients du Client, sous réserve de toutes les limitations des présentes Conditions, et dans ce cas, la garantie sera exclusivement contrôlée par le Vendeur conformément aux présentes Conditions. CETTE GARANTIE LIMITÉE EST EXCLUSIVE ET REMPLACE TOUTE AUTRE GARANTIE, EXPRESSE OU IMPLICITE, Y COMPRIS, MAIS SANS S'Y LIMITER, TOUTE GARANTIE IMPLICITE D'ABSENCE DE CONTREFAÇON, DE QUALITÉ MARCHANDE OU D'ADÉQUATION À UN USAGE PARTICULIER, QUI EST EXPRESSÉMENT DÉCLINÉE.

Garantie d'un (1) an pour les pièces et la main-d'œuvre, PLUS garantie d'un (1) an supplémentaire pour les pièces uniquement :

- Éléments du grille-pain à convoyeur (enveloppe métallique)
- Éléments des tiroirs chauffants (enveloppe métallique)
- Tiroirs, roues et glissières des tiroirs chauffants
- Éléments du réchaud (enveloppe métallique)
- Éléments de présentation du réchaud (enveloppe métallique, air chauffant)
- Éléments des armoires de stockage (enveloppe métallique, air chauffant)
- Éléments de puits chauffants — séries HW, HWB et HWBI (enveloppe métallique)

Garantie de deux (2) ans pour les pièces et la main-d'œuvre :

- Gammes à induction
- Réchauds à induction

Garantie de remplacement d'un (1) an :

- Grille-pain à éjection TPT

Garantie d'un (1) an pour les pièces et la main-d'œuvre, PLUS garantie de quatre (4) ans pour les pièces uniquement :

- Cuves 3CS et FR

Garantie d'un (1) an pour les pièces et la main-d'œuvre, PLUS garantie de neuf (9) ans pour les pièces uniquement :

- Cuves des appareils de chauffage d'appoint électriques
- Cuves des appareils de chauffage d'appoint à gaz

Garantie de quatre-vingt-dix (90) jours pour les pièces uniquement :

- Pièces de rechange

Nonobstant toute disposition contraire des présentes, la garantie limitée des présentes ne couvrira pas, à la seule discrétion du vendeur, les éléments suivants, mais sans s'y limiter : ampoules à incandescence enduites, éclairages fluorescents, ampoules de lampe chauffante, ampoules halogènes enduites, ampoules de lampe chauffante halogène, ampoules au xénon, tubes de lumière DEL, composants en verre et fusibles ; défaillance du Produit au niveau de la cuve d'appoint, de l'échangeur de chaleur à tubes à ailettes ou de tout autre équipement de chauffage de l'eau causée par la formation de calcaire, l'accumulation de sédiments, une attaque chimique ou le gel.

INSTRUCTIONS D'ENREGISTREMENT DE LA GARANTIE:

L'enregistrement du produit doit être soumis dans les 90 jours à compter de la date d'expédition de notre usine pour bénéficier d'une couverture supplémentaire. L'enregistrement peut être soumis via le formulaire sur le site Web du Vendeur, via le formulaire accessible grâce au code QR sur le Produit (le cas échéant) ou en appelant le service client en fournissant les informations requises au: **+1 414 671 6350**.

CLAUDE LIMITATIVE DE RESPONSABILITÉ :

LE VENDEUR NE SERA PAS TENU RESPONSABLE DES DOMMAGES INDIRECTS, ACCESSOIRES, CONSÉCUTIFS, PUNITIFS, EXEMPLAIRES OU DÉTERMINÉS, Y COMPRIS, MAIS SANS S'Y LIMITER, LES MANQUES À GAGNER, LES COÛTS DES PRODUITS DE SUBSTITUTION OU LES FRAIS DE MAIN-D'ŒUVRE RÉSULTANT DE LA VENTE, DE L'UTILISATION OU DE L'INSTALLATION DES PRODUITS, QUE LES PRODUITS SOIENT INCORPORÉS DANS D'AUTRES PRODUITS OU EN DEVIENNENT DES COMPOSANTS, OU DE TOUTE AUTRE CAUSE QUE CE SOIT, FONDÉE SUR UNE GARANTIE (EXPRESSE OU IMPLICITE) OU AUTREMENT FONDÉE SUR UN CONTRAT, UN TORT OU TOUTE AUTRE THÉORIE DE RESPONSABILITÉ, ET INDÉPENDAMMENT DE TOUT CONSEIL OU REPRÉSENTATION QUI AURAIENT PU ÊTRE DONNÉS PAR LE VENDEUR CONCERNANT LA VENTE, L'UTILISATION OU L'INSTALLATION DES PRODUITS, MÊME SI LE VENDEUR EST CONSCIENT DE LA POSSIBILITÉ DE TELS DOMMAGES. EN AUCUN CAS, LA RESPONSABILITÉ GÉNÉRALE DU VENDEUR DÉCOULANT DE CE CONTRAT OU LIÉE À CELUI-CI NE DÉPASSERA LES MONTANTS TOTAUX PAYÉS AU VENDEUR PAR LE CLIENT POUR LES PRODUITS DANS LA PÉRIODE DE TROIS (3) MOIS PRÉCÉDANT IMMÉDIATEMENT L'ÉVÉNEMENT DONNANT LIEU À UNE RÉCLAMATION DU CLIENT. LES LIMITATIONS ÉNONCÉES DANS LES PRÉSENTES CONCERNANT LA RESPONSABILITÉ DU VENDEUR SONT VALABLES ET EXÉCUTOIRES NONOBTANT UN MANQUEMENT À L'OBJECTIF PRINCIPAL DU RECOURS LIMITÉ SPÉCIFIÉ DANS CES CONDITIONS.

Le vendeur se réserve le droit de mettre à jour ces conditions à tout moment, à sa seule discrétion, qui deviennent obligatoires à la date de publication. Pour la version la plus récente de nos conditions de vente complètes, consultez notre site Web à l'adresse : <https://www.hatcocorp.com/terms-of-sale>

AUTHORIZED PARTS DISTRIBUTORS • DISTRIBUTEURS DE PIÈCES AUTORISÉS

ALABAMA

Jones McLeod Appl. Svc.
Birmingham 205-251-0159

ARIZONA

Tech 24
Phoenix 602-234-2443

Byassee Equipment Co.
Phoenix 602-252-0402

CALIFORNIA

Industrial Electric
Commercial Parts & Service, Inc.
Huntington Beach 714-379-7100

Chapman Appl. Service
San Diego 619-298-7106

P & D Appliance
Commercial Parts & Service, Inc.
S. San Francisco 650-635-1900

COLORADO

Hawkins Commercial Appliance
Englewood 303-781-5548

FLORIDA

Whaley Foodservice Repair
Jacksonville 904-725-7800

Whaley Foodservice Repair
Orlando 407-757-0851

B.G.S.I./Heritage
Pompano Beach 954-971-0456

Comm. Appliance Service
Tampa 813-663-0313

GEORGIA

Heritage Service Group
Norcross 866-388-9837

HAWAII

Burney's Comm. Service, Inc.
Honolulu 808-848-1466

Food Equip Parts & Service
Honolulu 808-847-4871

ILLINOIS

Parts Town
Addison 708-865-7278

Eichenauer Elec. Service
Decatur 217-429-4229

Midwest Elec. Appl. Service
Elmhurst 630-279-8000

Cone's Repair Service
Moline 309-797-5323

IOWA

Goodwin Tucker Group
Des Moines 515-262-9308

KENTUCKY

Tech 24
Lexington 859-254-8854

Tech 24
Louisville 502-451-5411

LOUISIANA

Chandlers Parts & Service
Baton Rouge 225-272-6620

MARYLAND

Electric Motor Service
Baltimore 410-467-8080

MASSACHUSETTS

Ace Service Co., Inc.
Needham 781-449-4220

MICHIGAN

Bildons Appliance Service
Detroit 248-478-3320

Commercial Kitchen Service
Bay City 989-893-4561

Midwest Food Equip. Service
Grandville 616-261-2000

MISSOURI

General Parts
Kansas City 816-421-5400

Commercial Kitchen Services
St. Louis 314-890-0700

Kaemmerlen Parts & Service
St. Louis 314-535-2222

NEBRASKA

Anderson Electric
Omaha 402-341-1414

NEVADA

Burney's Commercial
Las Vegas 702-736-0006

Hi. Tech Commercial Service
N. Las Vegas 702-649-4616

NEW JERSEY

Jay Hill Repair
Fairfield 973-575-9145

Service Plus
Flanders 973-691-6300

NEW YORK

Alpro Service Co.
Maspeth 718-386-2515

Duffy's - AIS
Buffalo 716-884-7425

3Wire
Plattsburgh 800-634-5005

Duffy's - AIS
Sauquoit 800-836-1014

J.B. Brady, Inc.
Syracuse 315-422-9271

NORTH CAROLINA

Authorized Appliance
Charlotte 704-377-4501

OHIO

Akron/Canton Comm. Svc. Inc.
Akron 330-753-6634

Tech 24
Cincinnati 513-772-6600

Commercial Parts and Service
Columbus 614-221-0057

Electrical Appl. Repair Service
Brooklyn Heights 216-459-8700

E. A. Wichman Co.
Toledo 419-385-9121

OKLAHOMA

Hagar Rest. Service, Inc.
Oklahoma City 405-235-2184

OREGON

General Parts Group
Portland 503-624-0890

PENNSYLVANIA

Elmer Schultz Services
Philadelphia 215-627-5401

FAST Comm. Appl. Service
Philadelphia 215-288-4800

AIS Commercial Parts and Service
Pittsburgh 412-809-0244

K & D Service Co.
Harrisburg 717-236-9039

Electric Repair Co.
Reading 610-376-5444

RHODE ISLAND

Marshall Electric Co.
Providence 401-331-1163

SOUTH CAROLINA

Whaley Foodservice Repair
Lexington 803-996-9900

TENNESSEE

Camp Electric
Memphis 901-527-7543

TEXAS

Armstrong Repair Service
Houston 713-666-7100

Cooking Equipment Specialist
Mesquite 972-686-6666

Commercial Kitchen Repair Co.
San Antonio 210-735-2811

UTAH

La Monica's Rest. Equip. Service
Murray 801-263-3221

VIRGINIA

Daubers
Norfolk 757-855-4097

Daubers
Springfield 703-866-3600

WASHINGTON

3Wire
Seattle 800-207-3146

WISCONSIN

A.S.C., Inc.
Madison 608-246-3160

A.S.C., Inc.
Milwaukee 414-543-6460

CANADA

ALBERTA

Key Food Equipment Service
Edmonton 780-438-1690

BRITISH COLUMBIA

Key Food Equipment Service
Vancouver 604-433-4484

Key Food Equipment Service
Victoria 250-920-4888

MANITOBA

Air Rite, Inc.
Winnipeg 204-895-2300

NEW BRUNSWICK

EMR Services, Ltd.
Moncton 506-855-4228

ONTARIO

R.G. Henderson Ltd.
Toronto 416-422-5580

Choquette - CKS, Inc.
Ottawa 613-739-8458

QUÉBEC

Choquette - CKS, Inc.
Montreal 514-722-2000

Choquette - CKS, Inc.
Québec City 418-681-3944

UNITED KINGDOM

Marren Group
Northants +44(0)1933 665313

HATCO CORPORATION
P.O. Box 340500
Milwaukee, WI 53234-0500 U.S.A.
414-671-6350
support@hatcocorp.com
www.hatcocorp.com

Register your unit online!

See IMPORTANT OWNER INFORMATION
section for details.

Enregistrez votre appareil en ligne !

Lisez la section INFORMATIONS IMPORTANTES POUR
LE PROPRIÉTAIRE pour plus d'informations.