



**IMPORTANT NOTE:**

Locate the Specification Label on unit to determine exact Model Name and electrical specifications. This information is needed to identify the correct replacement parts. See exploded view illustration(s) for Specification Label location.

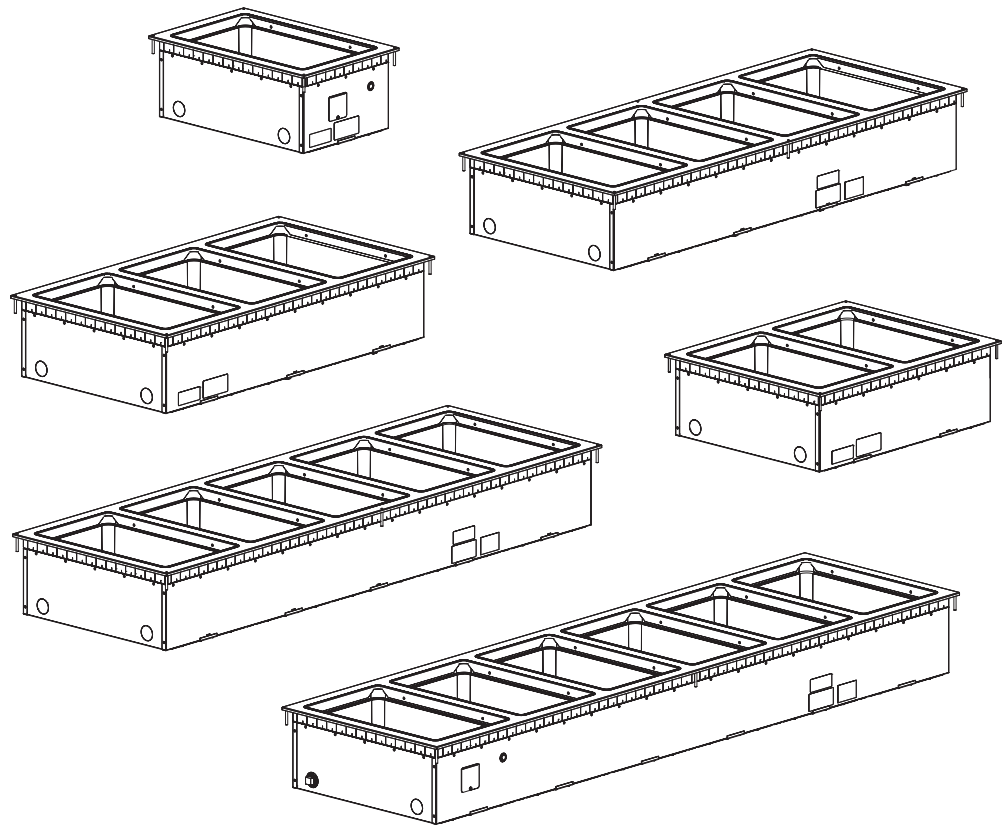


Use of replacement parts other than those supplied by Hatco Corporation may result in damage to unit or injury to personnel and will void all warranties.

# Modular Built-In Insulated Heated Wells

## HWBI Series

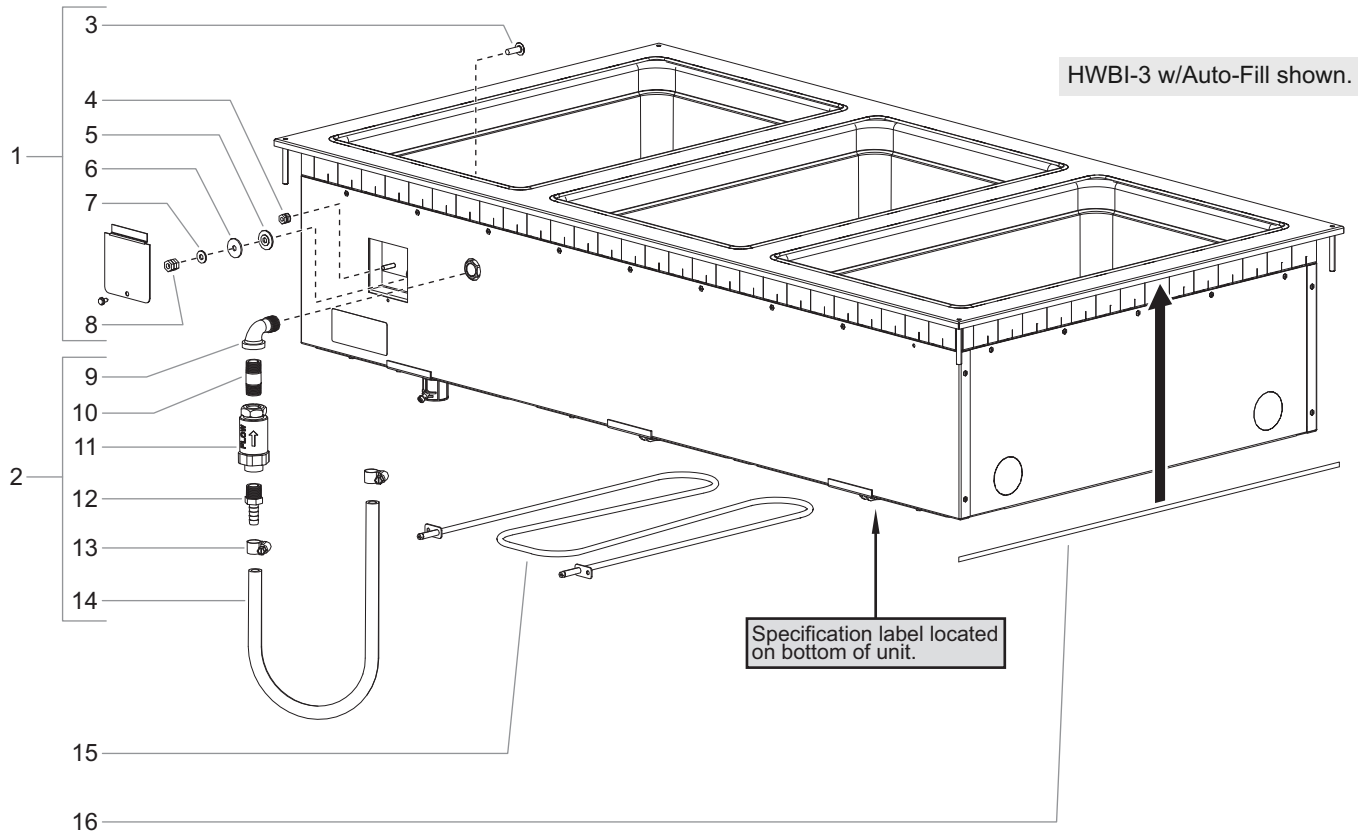
<u>Model Name</u>	<u>Page</u>	<u>Model Name</u>	<u>Page</u>	<u>Model Name</u>	<u>Page</u>
HWBI-1 .....	2	HWBI-4.....	2	Control Enclosures ....	3
HWBI-2 .....	2	HWBI-5.....	2		
HWBI-3 .....	2	HWBI-6.....	2		



# Replacement Parts List

# Hatco Modular Built-In Insulated Heated Wells

## HWBI Series

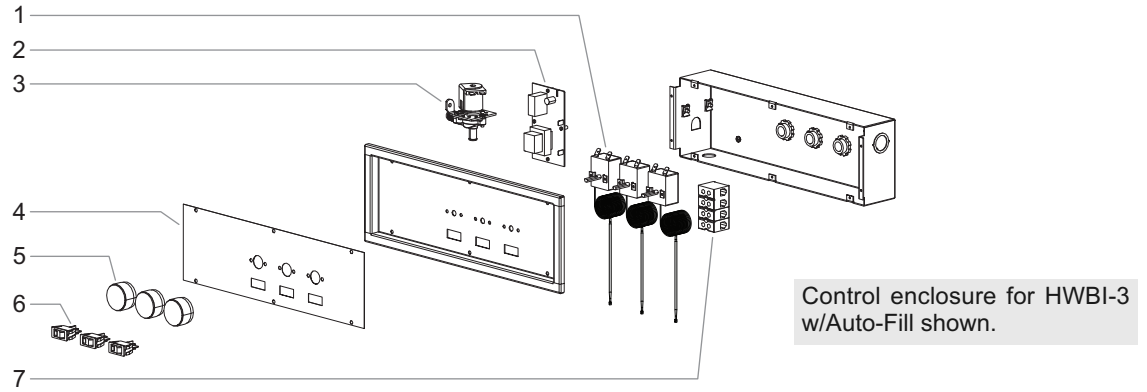


### Main Assembly

Item	Description	Part No.	Qty.
1	Auto-Fill Sensor Kit (includes Items 3, 5-8)	R00.02.0047.00	1
2	Plumbing Kit (includes Items 9-14)	R03.40.103.00	1
3	Screw, Probe	05.04.532.00	1
4	Nut	05.04.038.00	2
5	Water Sensor, Inner Seal	02.01.247.00	1
6	Water Sensor, Outer Seal	02.01.248.00	1
7	Washer	05.11.005.00	1
8	Nut	05.04.377.00	3
9	Elbow, 90 Degree	03.08.001.00	1
10	Nipple, 3/8" x 1-1/2" Brass	03.11.004.00	1
11	Back-Flow Preventer Valve	03.40.103.00	1
12	Threaded Barb, 3/8"	03.40.104.00	1
13	Hose Clamp	05.04.550.00	2
14	Tubing (sold by the foot)	03.40.107.00	6'
15	Heating Elements		
	120 V	02.08.581.02	1-6
	208 V	02.08.581.03	1-6
	240 V	02.08.581.04	1-6

Item	Description	Part No.	Qty.
16	Gasket (perimeter of unit, sold by the inch)		
	1 Pan	05.06.046.00	80"
	2 Pan	05.06.046.00	108"
	3 Pan	05.06.046.00	138"
	4 Pan	05.06.046.00	165"
	5 Pan	05.06.046.00	200"
	6 Pan	05.06.046.00	235"
	Wiring Diagrams		
	Single Control	10-01-565	
	Split Controls	10-01-549	

## Control Enclosures



Item	Description	Part No.	Qty.	
1	Thermostat	02.16.131.01	1-6	
2	LWCO	R02.01.210.00	1	
3	Solenoid Valve	120 V	03.02.048.00	1
		240 V	03.02.048A.00	1
4	Control Label			
	HWBI-1	07.03.836.00	1	
	HWBI-1 w/ Auto-Fill	07.03.829.00	1	
	HWBI-2	07.03.837.00	1	
	HWBI-2 w/ Auto-Fill	07.03.830.00	1	
	HWBI-3	07.03.838.00	1	
	HWBI-3 w/ Auto-Fill	07.03.831.00	1	
	HWBI-4	07.03.839.00	1	
	HWBI-4 w/ Auto-Fill	07.03.833.00	1	
	HWBI-5	07.03.840.00	1	
	HWBI-5 w/ Auto-Fill	07.03.834.00	1	
	HWBI-6	07.03.841.00	1	
HWBI-6 w/ Auto-Fill	07.03.835.00	1		

Item	Description	Part No.	Qty.	
5	Knob	05.30.020.00	1-6	
6	Rocker Switch	120 V	02.19.080.00	1-6
		240 V	02.19.081.00	1-6
7	Terminal Blocks	R02.15.047.00	1	

NOTE: Quantities shown as a range (example = "1-6") are dependent upon the number of wells in a unit.

NOTE: The last four digits in a ten digit numerical serial number are the manufacturing date code.

Example: Serial number 9625061151 has a date code of "1151" which indicates the following: 1151

└─ Week Fifty-One  
└─ Year 2011

# AUTHORIZED PARTS DISTRIBUTORS • AUTORISÉS DISTRIBUTEURS DE PIÈCES

## ALABAMA

Jones McLeod Appl. Svc.  
Birmingham 205-251-0159

## ARIZONA

Service Solutions Group  
Phoenix 602-234-2443

Byassee Equipment Co.  
Phoenix 602-252-0402

## CALIFORNIA

Industrial Electric  
Commercial Parts & Service, Inc.  
Huntington Beach 714-379-7100

Chapman Appl. Service  
San Diego 619-298-7106

P & D Appliance  
Commercial Parts & Service, Inc.  
S. San Francisco 650-635-1900

## COLORADO

Hawkins Commercial Appliance  
Englewood 303-781-5548

## FLORIDA

Whaley Foodservice Repair  
Jacksonville 904-725-7800

Whaley Foodservice Repair  
Orlando 407-757-0851

B.G.S.I.  
Pompano Beach 954-971-0456

Comm. Appliance Service  
Tampa 813-663-0313

## GEORGIA

TWC Services  
Mableton 770-438-9797

Heritage Service Group  
Norcross 866-388-9837

Southeastern Rest. Svc.  
Norcross 770-446-6177

## HAWAII

Burney's Comm. Service, Inc.  
Honolulu 808-848-1466

Food Equip Parts & Service  
Honolulu 808-847-4871

## ILLINOIS

Parts Town  
Lombard 708-865-7278

Eichenauer Elec. Service  
Decatur 217-429-4229

Midwest Elec. Appl. Service  
Elmhurst 630-279-8000

Cone's Repair Service  
Moline 309-797-5323

## INDIANA

GCS Service  
Indianapolis 800-727-8710

## IOWA

Goodwin Tucker Group  
Des Moines 515-262-9308

## KENTUCKY

Service Solutions Group  
Lexington 859-254-8854

Service Solutions Group  
Louisville 502-451-5411

## LOUISIANA

Chandlers Parts & Service  
Baton Rouge 225-272-6620

## MARYLAND

Electric Motor Service  
Baltimore 410-467-8080

GCS Service  
Silver Spring 301-585-7550

## MASSACHUSETTS

Ace Service Co., Inc.  
Needham 781-449-4220

## MICHIGAN

Bildons Appliance Service  
Detroit 248-478-3320

Commercial Kitchen Service  
Bay City 989-893-4561

Midwest Food Equip. Service  
Grandville 616-261-2000

## MINNESOTA

GCS Service  
Minnetonka 800-822-2303  
x20365

## MISSOURI

General Parts  
Kansas City 816-421-5400

Commercial Kitchen Services  
St. Louis 314-890-0700

Kaemmerlen Parts & Service  
St. Louis 314-535-2222

## NEBRASKA

Anderson Electric  
Omaha 402-341-1414

## NEVADA

Burney's Commercial  
Las Vegas 702-736-0006

Hi. Tech Commercial Service  
N. Las Vegas 702-649-4616

## NEW JERSEY

Jay Hill Repair  
Fairfield 973-575-9145

Service Plus  
Flanders 973-691-6300

## NEW YORK

Acme American Repairs, Inc.  
Jamaica 718-456-6544

Alpro Service Co.  
Maspeth 718-386-2515

Appliance Installation  
Buffalo 716-884-7425

Duffy's Equipment Services, Inc.  
Buffalo 800-836-1014

3Wire Northern  
Plattsburgh 800-634-5005

Duffy's Equipment Services, Inc.  
Sauquoit 800-836-1014

J.B. Brady, Inc.  
Syracuse 315-422-9271

## NORTH CAROLINA

Authorized Appliance  
Charlotte 704-377-4501

## OHIO

Akron/Canton Comm. Svc. Inc.  
Akron 330-753-6634

Service Solutions Group  
Cincinnati 513-772-6600

Commercial Parts and Service  
Columbus 614-221-0057

Electrical Appl. Repair Service  
Brooklyn Heights 216-459-8700

E. A. Wichman Co.  
Toledo 419-385-9121

## OKLAHOMA

Hagar Rest. Service, Inc.  
Oklahoma City 405-235-2184

Krueger, Inc.  
Oklahoma City 405-528-8883

## OREGON

Ron's Service, Inc.  
Portland 503-624-0890

## PENNSYLVANIA

Elmer Schultz Services  
Philadelphia 215-627-5401

FAST Comm. Appl. Service  
Philadelphia 215-288-4800

Appliance Installation & Service  
Pittsburgh 412-809-0244

K & D Service Co.  
Harrisburg 717-236-9039

Electric Repair Co.  
Reading 610-376-5444

## RHODE ISLAND

Marshall Electric Co.  
Providence 401-331-1163

## SOUTH CAROLINA

Whaley Foodservice Repair  
Lexington 803-996-9900

## TENNESSEE

Camp Electric  
Memphis 901-527-7543

## TEXAS

GCS Service  
Fort Worth 800-433-1804

Armstrong Repair Service  
Houston 713-666-7100

Cooking Equipment Specialist  
Mesquite 972-686-6666

Commercial Kitchen Repair Co.  
San Antonio 210-735-2811

## UTAH

La Monica's Rest. Equip. Service  
Murray 801-263-3221

## VIRGINIA

Daubers  
Norfolk 757-855-4097

Daubers  
Springfield 703-866-3600

## WASHINGTON

3Wire Restaurant Appliance  
Seattle 800-207-3146

## WISCONSIN

A.S.C., Inc.  
Madison 608-246-3160

A.S.C., Inc.  
Milwaukee 414-543-6460

## CANADA

### ALBERTA

Key Food Equipment Service  
Edmonton 780-438-1690

### BRITISH COLUMBIA

Key Food Equipment Service  
Vancouver 604-433-4484

Key Food Equipment Service  
Victoria 250-920-4888

### MANITOBA

Air Rite, Inc.  
Winnipeg 204-895-2300

### NEW BRUNSWICK

EMR Services, Ltd.  
Moncton 506-855-4228

### ONTARIO

R.G. Henderson Ltd.  
Toronto 416-422-5580

Choquette - CKS, Inc.  
Ottawa 613-739-8458

### QUÉBEC

Choquette - CKS, Inc.  
Montreal 514-722-2000

Choquette - CKS, Inc.  
Québec City 418-681-3944

## UNITED KINGDOM

Marren Group  
Northants +44(0)1933 665313

### HATCO CORPORATION

P.O. Box 340500

Milwaukee, WI 53234-0500 U.S.A.

800-558-0607 414-671-6350

partsandservice@hatcocorp.com

www.hatcocorp.com



24 Hour 7 Day Parts and Service  
Assistance available in the United States  
and Canada by calling 800-558-0607.