



IMPORTANT NOTE:
Locate Specification Label on unit to determine exact Model Name and electrical specifications. This information is needed to identify correct replacement parts. See exploded view illustration(s) for Specification Label location.

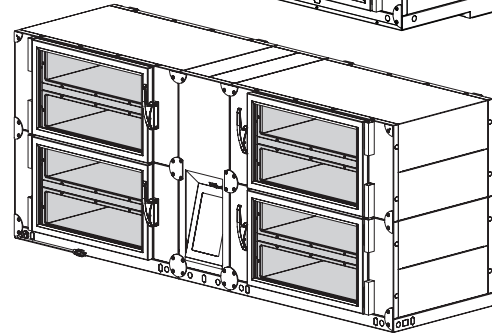
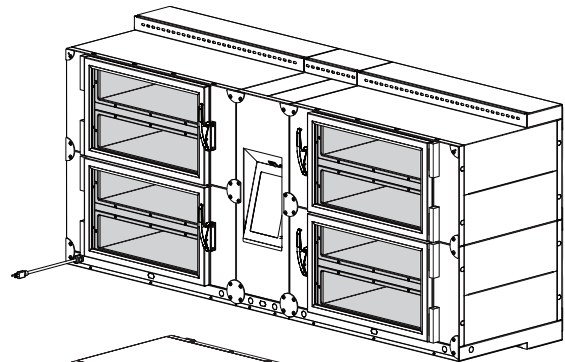
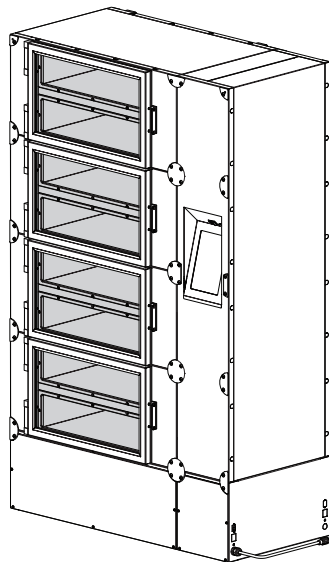
CAUTION

Use of replacement parts other than those supplied by Hatco Corporation may result in damage to unit or injury to personnel and will void all warranties.

Flav-R 2-Go[®] Pizza Locker System

F2GP and F2GBP Series

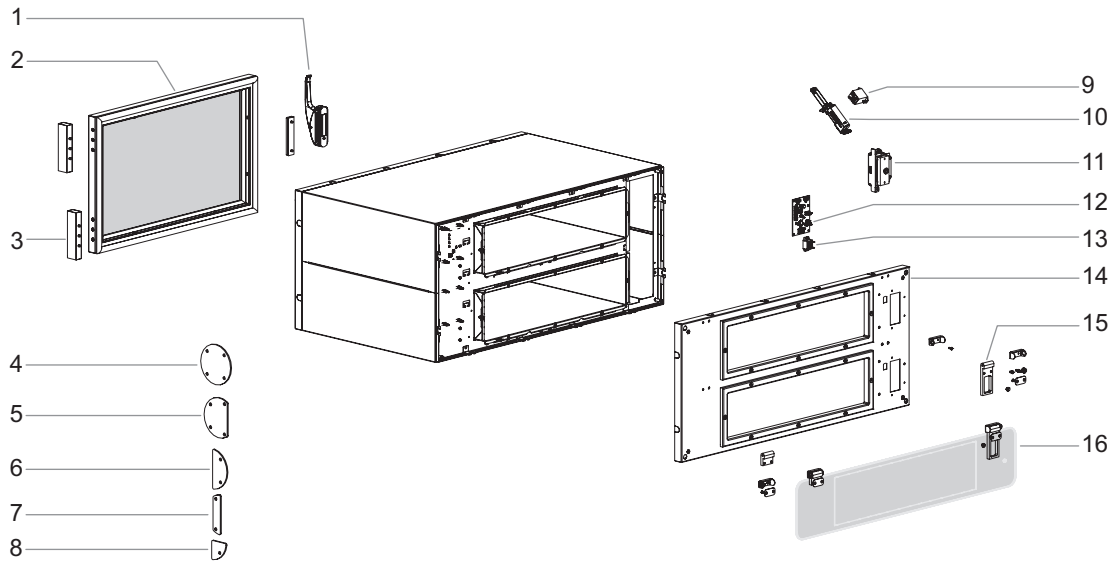
<u>Table of Contents</u>	<u>Page</u>
Locker Modules	2
Touchscreen Controller	2
Countertop Models	3
Floor Mount Models.....	4
Built-In Models.....	5



Replacement Parts List

Flav-R 2-Go® Pizza Locker System

F2GP and F2GBP Series



Locker Modules

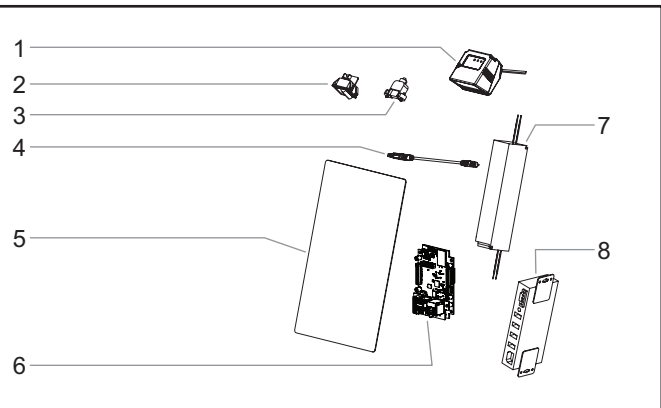
Item	Description	Part Number	Qty.
1	Door Latch Handle Assembly	R00.05.0009.00	1
2	Operator Door Assembly	R04.40.678.00	1
3	Operator Door Hinge Assembly	R04.26.002.00	2
4	Full Disc	04.62.272.01	1
5	Center Control Disc	04.62.278.01	1
6	Half Disc	04.62.276.01	1
7	Edge Control Disc	04.62.280.01	1
8	Quarter Disc	04.62.277.01	1

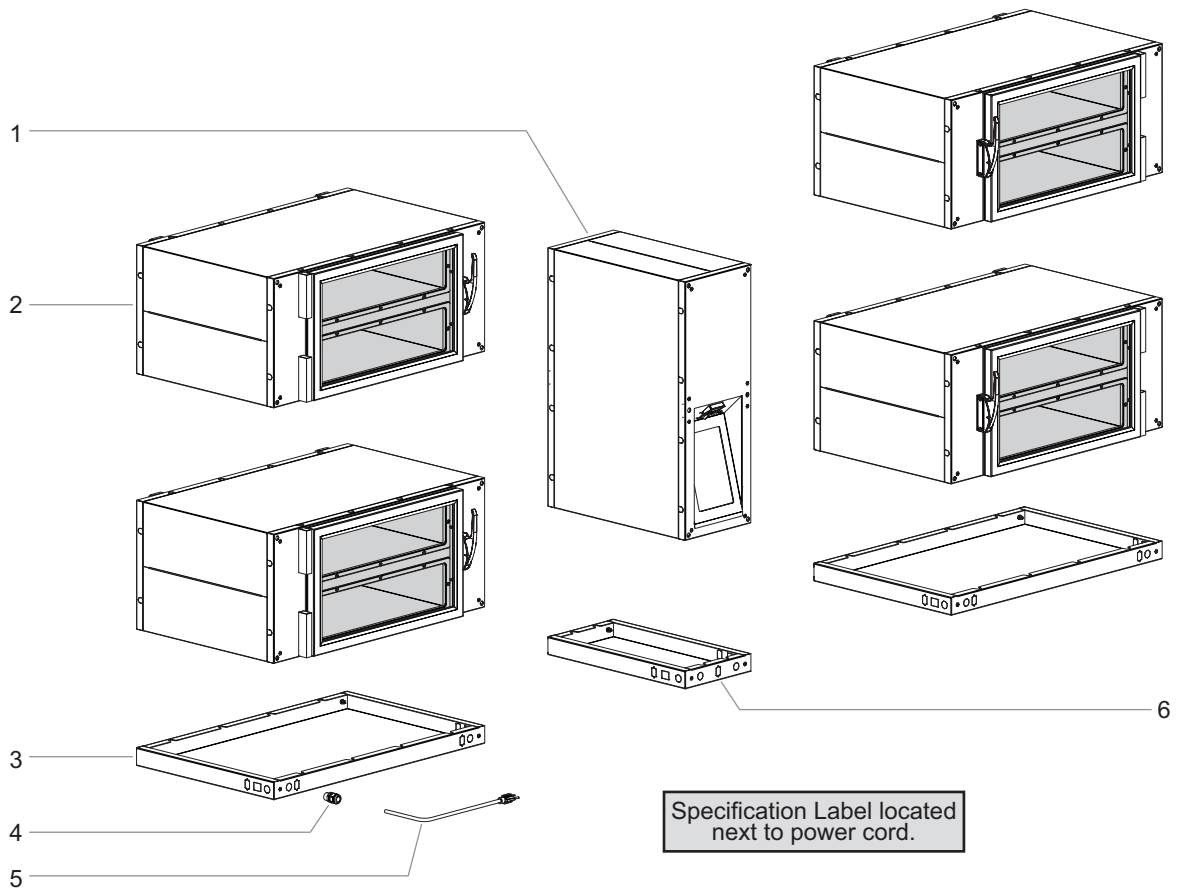
NOTE: Quantities shown are for individual locker modules.

Item	Description	Part Number	Qty.
9	Relay	02.01.600.00	2
10	Actuator Assembly	R00.02.0152.00	2
11	Latch Plate	R00.05.0010.00	2
12	Electronic Board	02.01.539.00	2
13	Relay	02.01.547.00	2
14	Bezel		
	Operator Side	04.62.394.00	1
	Customer Side	04.62.443.00	1
15	Customer Door Hinge Assembly	R00.05.0011.00	2
16	Front Door Assembly, Complete	R04.40.667.00	2
	Wiring Diagram.	10-01-1624	

Touchscreen Controller

Item	Description	Part Number	Qty.
1	QR Scanner	02.01.585.00	1
2	Rocker Switch	02.19.075.00	1
3	USB Input	02.20.515.00	1
4	USB Cable, Type A to Micro B	02.20.588.00	1
5	Touchscreen	R02.01.556.01	1-2
6	Circuit Board, Touchscreen	R02.01.558.01	1
7	LED Driver	02.01.563.00	1
8	USB Hub	02.20.585.00	1
9	Sensor Service Kit (includes a thermistor probe and a bracket)	R02.01.566.00	1

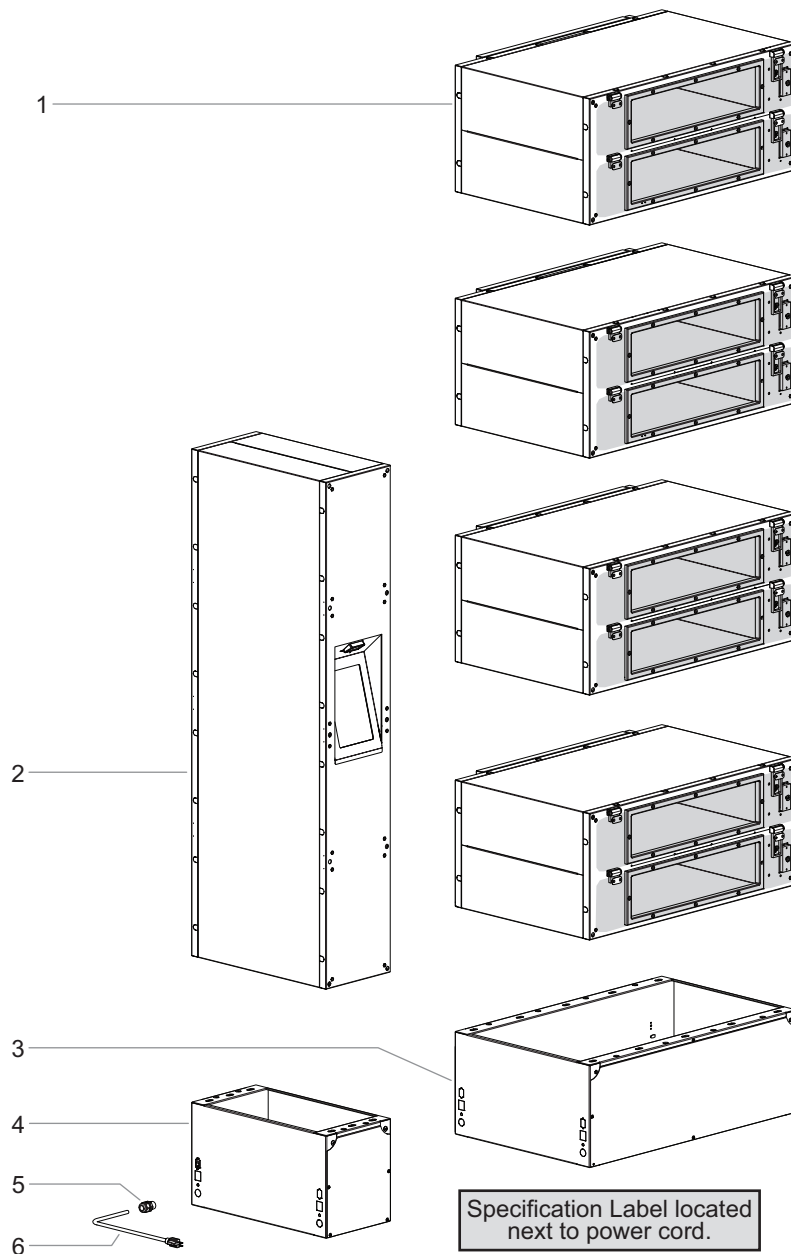




Countertop Models

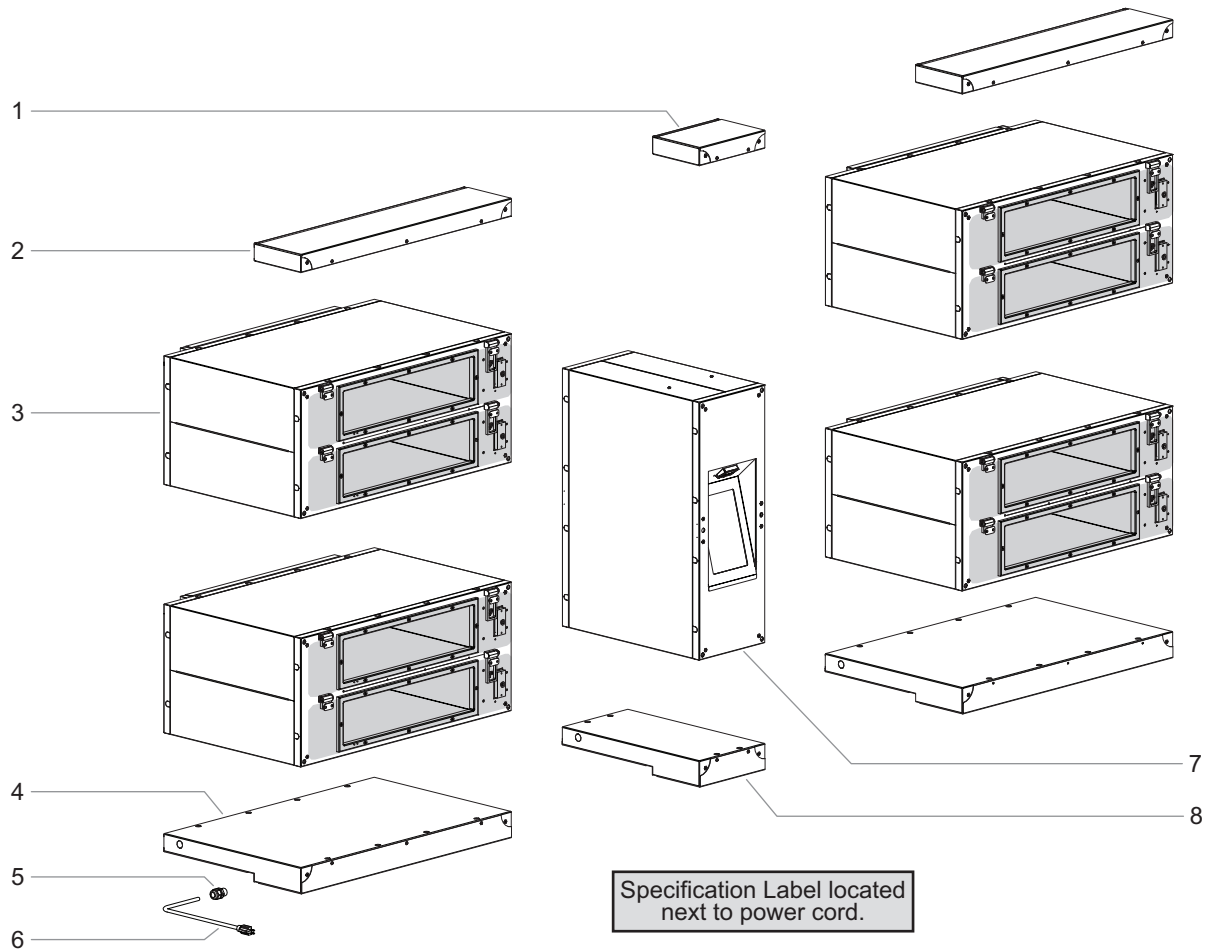
Item	Description	Part Number	Qty.
1	Control Module		
	2 Rows	04.62.311.00	1
	1 Row	04.62.295.00	1
2	Locker Module		
	Left Side Pass-Through	04.62.395.00	1-2
	Right Side Pass-Through	04.62.456.00	1-2
3	Base, Locker Module	04.62.377.00	1-2

Item	Description	Part Number	Qty.
4	Cord Grip	R02.20.259.00	1
5	Power Cord	02.18.284.00	1
6	Base, Control Module	04.62.325.00	1



Floor Mount Models

Item	Description	Part Number	Qty.
1	Locker Module		
	Left Side Pass-Through	04.62.395.00	4
	Right Side Pass-Through	04.62.456.00	4
2	Control Module	04.62.284.00	1
3	Base, Control Module	04.62.270.00	1
4	Base, Locker Module	04.62.285.00	1
5	Cord Grip	R02.20.259.00	1
6	Power Cord	02.18.284.00	1



Built-In Models

Item	Description	Part Number	Qty.
1	Top Support Control Module	04.62.340.00	1
2	Top Support Locker Module	04.62.396.00	1-2
3	Locker Module		
	Left Side Pass-Through	04.62.395.00	1-4
	Right Side Pass-Through	04.62.456.00	1-4
4	Bottom Support Locker Module	04.62.399.00	1-2
5	Cord Grip	R02.20.259.00	1
6	Power Cord	02.18.284.00	1
7	Control Module		
	1 Row	04.62.295.00	1
	2 Rows	04.62.314.00	1
	4 Rows	04.62.284.00	1
8	Bottom Support Control Module	04.62.337.00	1

AUTHORIZED PARTS DISTRIBUTORS • DISTRIBUTEURS DE PIÈCES AUTORISÉS

ALABAMA

Jones McLeod Appl. Svc.
Birmingham 205-251-0159

ARIZONA

Tech 24
Phoenix 602-234-2443

Byassee Equipment Co.
Phoenix 602-252-0402

CALIFORNIA

Industrial Electric
Commercial Parts & Service, Inc.
Huntington Beach 714-379-7100

Chapman Appl. Service
San Diego 619-298-7106

P & D Appliance
Commercial Parts & Service, Inc.
S. San Francisco 650-635-1900

COLORADO

Hawkins Commercial Appliance
Englewood 303-781-5548

FLORIDA

Whaley Foodservice Repair
Jacksonville 904-725-7800

Whaley Foodservice Repair
Orlando 407-757-0851

B.G.S.I./Heritage
Pompano Beach 954-971-0456

Comm. Appliance Service
Tampa 813-663-0313

GEORGIA

Heritage Service Group
Norcross 866-388-9837

HAWAII

Burney's Comm. Service, Inc.
Honolulu 808-848-1466

Food Equip Parts & Service
Honolulu 808-847-4871

ILLINOIS

Parts Town
Addison 708-865-7278

Eichenauer Elec. Service
Decatur 217-429-4229

Midwest Elec. Appl. Service
Elmhurst 630-279-8000

Cone's Repair Service
Moline 309-797-5323

IOWA

Goodwin Tucker Group
Des Moines 515-262-9308

KENTUCKY

Tech 24
Lexington 859-254-8854

Tech 24
Louisville 502-451-5411

LOUISIANA

Chandlers Parts & Service
Baton Rouge 225-272-6620

MARYLAND

Electric Motor Service
Baltimore 410-467-8080

MASSACHUSETTS

Ace Service Co., Inc.
Needham 781-449-4220

MICHIGAN

Bildons Appliance Service
Detroit 248-478-3320

Commercial Kitchen Service
Bay City 989-893-4561

Midwest Food Equip. Service
Grandville 616-261-2000

MISSOURI

General Parts
Kansas City 816-421-5400

Commercial Kitchen Services
St. Louis 314-890-0700

Kaemmerlen Parts & Service
St. Louis 314-535-2222

NEBRASKA

Anderson Electric
Omaha 402-341-1414

NEVADA

Burney's Commercial
Las Vegas 702-736-0006

Hi. Tech Commercial Service
N. Las Vegas 702-649-4616

NEW JERSEY

Jay Hill Repair
Fairfield 973-575-9145

Service Plus
Flanders 973-691-6300

NEW YORK

Alpro Service Co.
Maspeth 718-386-2515

Duffy's - AIS
Buffalo 716-884-7425

3Wire
Plattsburgh 800-634-5005

Duffy's - AIS
Sauquoit 800-836-1014

J.B. Brady, Inc.
Syracuse 315-422-9271

NORTH CAROLINA

Authorized Appliance
Charlotte 704-377-4501

OHIO

Akron/Canton Comm. Svc. Inc.
Akron 330-753-6634

Tech 24
Cincinnati 513-772-6600

Commercial Parts and Service
Columbus 614-221-0057

Electrical Appl. Repair Service
Brooklyn Heights 216-459-8700

E. A. Wichman Co.
Toledo 419-385-9121

OKLAHOMA

Hagar Rest. Service, Inc.
Oklahoma City 405-235-2184

OREGON

General Parts Group
Portland 503-624-0890

PENNSYLVANIA

Elmer Schultz Services
Philadelphia 215-627-5401

FAST Comm. Appl. Service
Philadelphia 215-288-4800

AIS Commercial Parts and Service
Pittsburgh 412-809-0244

K & D Service Co.
Harrisburg 717-236-9039

Electric Repair Co.
Reading 610-376-5444

RHODE ISLAND

Marshall Electric Co.
Providence 401-331-1163

SOUTH CAROLINA

Whaley Foodservice Repair
Lexington 803-996-9900

TENNESSEE

Camp Electric
Memphis 901-527-7543

TEXAS

Armstrong Repair Service
Houston 713-666-7100

Cooking Equipment Specialist
Mesquite 972-686-6666

Commercial Kitchen Repair Co.
San Antonio 210-735-2811

UTAH

La Monica's Rest. Equip. Service
Murray 801-263-3221

VIRGINIA

Daubers
Norfolk 757-855-4097

Daubers
Springfield 703-866-3600

WASHINGTON

3Wire
Seattle 800-207-3146

WISCONSIN

A.S.C., Inc.
Madison 608-246-3160

A.S.C., Inc.
Milwaukee 414-543-6460

CANADA

ALBERTA

Key Food Equipment Service
Edmonton 780-438-1690

BRITISH COLUMBIA

Key Food Equipment Service
Vancouver 604-433-4484

Key Food Equipment Service
Victoria 250-920-4888

MANITOBA

Air Rite, Inc.
Winnipeg 204-895-2300

NEW BRUNSWICK

EMR Services, Ltd.
Moncton 506-855-4228

ONTARIO

R.G. Henderson Ltd.
Toronto 416-422-5580

Choquette - CKS, Inc.
Ottawa 613-739-8458

QUÉBEC

Choquette - CKS, Inc.
Montreal 514-722-2000

Choquette - CKS, Inc.
Québec City 418-681-3944

UNITED KINGDOM

Marren Group
Northants +44(0)1933 665313

HATCO CORPORATION

P.O. Box 340500

Milwaukee, WI 53234-0500 U.S.A.

800-558-0607 414-671-6350

partsandservice@hatcocorp.com

www.hatcocorp.com



24 Hour 7 Day Parts and Service
Assistance available in the United States
and Canada by calling 800-558-0607.