



# CASHIER SHIELDS

Hatco's lightweight, clear, transparent Cashier Shields can help you in your effort to prevent the spread of germs and viruses at checkout registers, restaurants, pharmacies and other customer interaction areas.

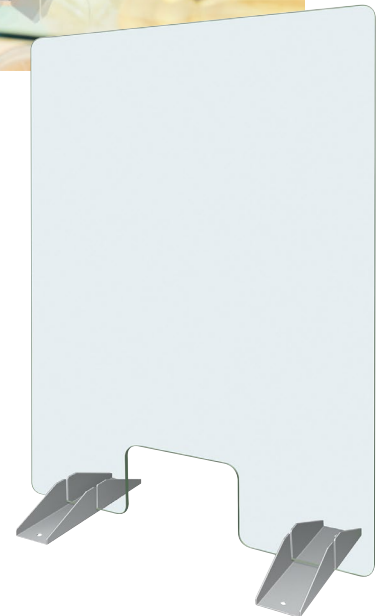
It acts as a physical barrier that can limit the passing of contagions at customer interaction points. Clear partitions are more important than ever. Cashier Shield can stand on it's own and does not require tools for assembly.

- Helps maintain social distance and physical separation
- Helps protect customers and employees
- Easily sanitized using non-abrasive cleaners
- Completely transparent/clear - will not obscure vision
- More impact resistant than glass
- Durable and light weight
- Rounded edges
- Easy to install



## CS3040P

- Convenient pass-through window at base of shield
- .375" (10 mm) thick sturdy polycarbonate shield
- 14 gauge Stainless Steel feet with mounting holes provided



## CS3236SP

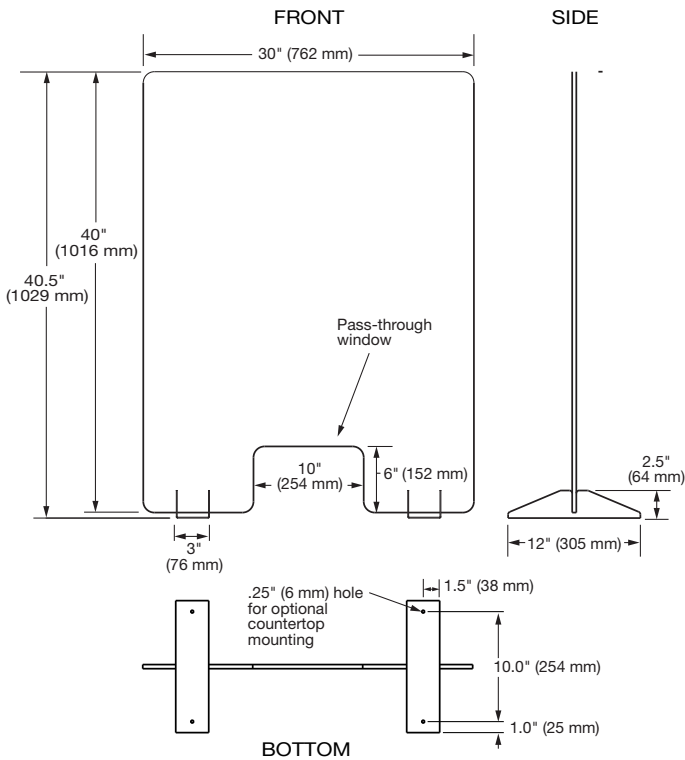
- .227" (5.8 mm) thick Acrylic shield
- 1" (25 mm) square box Stainless Steel tubing support legs
- Easy to assemble without tools (simple thumb screws secure shield to legs)
- Legs have screw holes for secure mounting
- Shield stands at a 70° angle



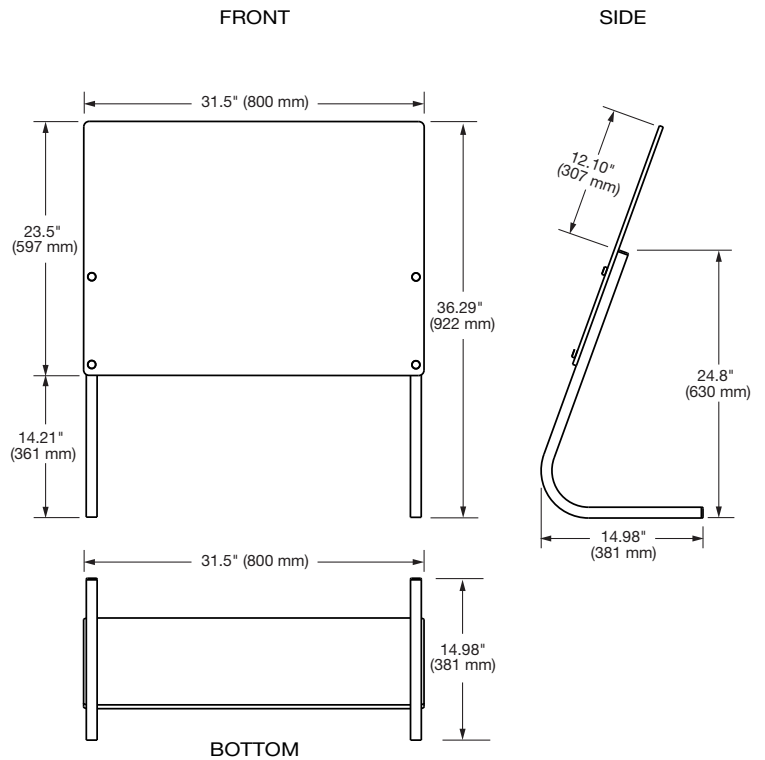


**Cashier Shield**  
Model: CS3040P, CS3236SP

**CS3040P**



**CS3236SP**



**SPECIFICATIONS**  
**Cashier Shield**

Model	Model Dimensions* (W x D x H)	Package Dimensions (W x D x H)	Shipping Weight
CS3040P	30" x 12" x 40.5" (762 x 305 x 1029 mm)	33" x 4" x 47" (838 x 102 x 1194 mm)	26 lbs. (12 kg.)
CS3236SP	31.5" x 14.98" x 36.29" (800 x 381 x 922 mm)	26" x 4" x 34" (660 x 102 x 864 mm)	15 lbs. (7 kg.)

\* Polycarbonate is .375" (10 mm) thick, Acrylic is .227" (5.8 mm) thick

**PRODUCT SPECS**  
**Cashier Shield**

The Cashier Shield shall be a Hatco model ... , as manufactured by the Hatco Corporation, Milwaukee, WI 53234, U.S.A.  
The unit shall have ... a polycarbonate shield with Stainless Steel base feet (CS3040P) or acrylic shield with square tubing support legs (CS3236SP).

with 14 gauge Stainless Steel base feet (Mounting Brackets) with holes which offer a Counter Mount Option and pass-through window at base of shield. The CS3236SP Cashier Shield shall have .227" (5.8 mm) clear Acrylic shield with 1" (25 mm) square box Stainless Steel tubing support legs, legs shall have screw holes for secure mounting and shield stands at a 70° angle.

The CS3040P Cashier Shield shall have a .375" (10 mm) clear polycarbonate shield