

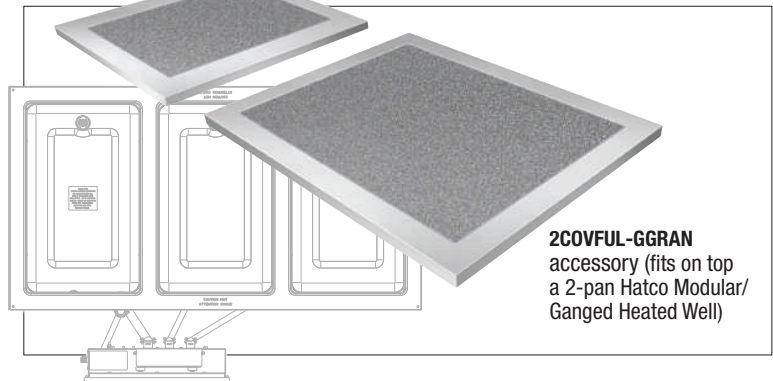


From a Heated Well... to a Heated Shelf

The Hatco Heated Well Covers establish versatility for hot food bars by converting our Modular/Ganged Heated Wells or Modular/Ganged Slim Heated Wells into heated shelves. The heated well covers are designed to sit on top of the modular unit — for the most efficiency remove accessory food pans — to create a heated space for operators to hold prepackaged, preheated foods at safe-serving temperatures for self-serve purposes.

- Must be operated in dry mode
- Available with your choice of three simulated stone surfaces
- Sturdy stainless steel frame
- Simulated stone surface measures:
1-Pan Well Cover, 9⁷/₈" (251 mm) W x 17⁷/₈" (454 mm) D
2-Pan Well Cover, 23³/₈" (606 mm) W x 17⁷/₈" (454 mm) D

1COVFUL-GGRAN
accessory (fits on top the 1-pan Hatco Modular/Ganged Heated Well)



2COVFUL-GGRAN
accessory (fits on top a 2-pan Hatco Modular/Ganged Heated Well)

Examples of Heated Well Cover Combinations Per HWBI Series

Model Series	Using only: 1COVFUL	Using both:	
		1COVFUL	2COVFUL
HWBI-1	1	1	—
HWBI-2, -S2	2	—	1
HWBI-3, -S3	3	1	1
HWBI-4, -S4	4	—	2
HWBI-5	5	1	2
HWBI-6	6	—	3

Choice of simulated stone Gray Granite, Bermuda Sand or Night Sky

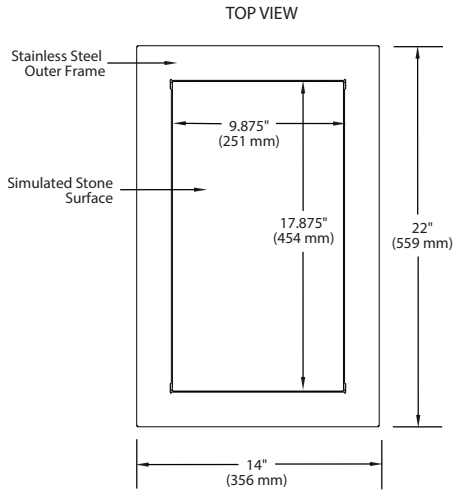




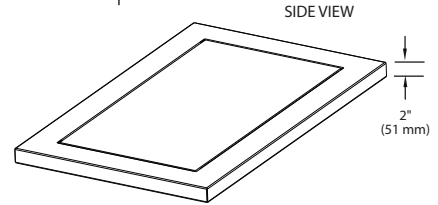
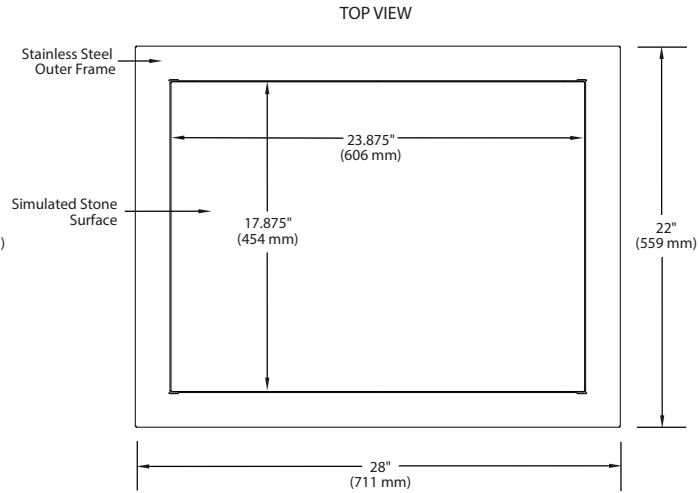
Heated Well Covers

Models: 1COVFUL, 2COVFUL

1COVFUL



2COVFUL



SPECIFICATIONS

Heated Well Covers for Modular/Ganged or Modular/Ganged Slim Heated Wells

Model	Dimensions (Width x Depth x Height)	Simulated Stone Dimensions (Width x Depth x Height)	Ship Weight*
1COVFUL	14" x 22" x 2" (356 mm x 559 mm x 51 mm)	9.875" x 17.875" x (251 mm x 454 mm)	6.5 lbs. (3 kg)
2COVFUL	28" x 22" x 2" (711 mm x 559 mm x 51 mm)	23.875" x 17.875" (606 mm x 454 mm)	12.5 lbs. (6 kg)

* Shipping weight includes packaging.

PRODUCT SPECS Heated Well Covers

The Accessory shall be a Heated Well Cover for Modular/Ganged or Modular/Ganged Slim Heated Wells, manufactured by the Hatco Corporation, Milwaukee, WI 53234 U.S.A.

The Accessory shall be a Heated Well Cover ... , rated at ... watts, ... volts, single phase, and be ... inches (millimeters) in overall width.

The accessory shall be factory-assembled ready for installation with simulated stone inset and stainless steel frame.

Warranty consists of 24/7 parts and service assistance (US and Canada only).

HATCO CORPORATION | P.O. Box 340500 Milwaukee, WI 53234-0500 U.S.A.
 (800) 558-0607 | (414) 671-6350 | www.hatcocorp.com | support@hatcocorp.com