



Glo-Ray® Designer Infrared Strip Heaters

Models:

GR2A -18, -24, -30, -36, -42, -48, -54, -60, -66, -72, -84
GR2AH-18, -24, -30, -36, -42, -48, -54, -60, -66, -72, -84

Hatco Glo-Ray® Designer Infrared Strip Heaters safely keep all hot foods at optimum serving temperatures longer. This modern design is ideal for front-of-the-house use. Units are offered in continuous housings, up to 87.5" (2223 mm), are available in Designer colors to match most décors.

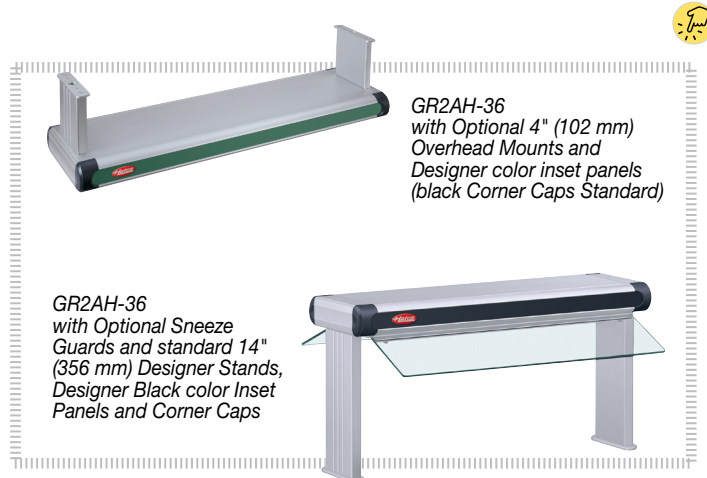
Standard features

- Pre-focused heat maintains safe serving temperatures longer without continuing to cook the food
- Sturdy continuous aluminum housings eliminate sagging
- Widths from 21.5" to 87.5" (546 X 2223 mm)
- 14" (356 mm) Designer non-adjustable Stands Standard
- Available in a variety of models, configurations, colors and accessories to provide unlimited flexibility
- Designer colors and inset panels allow the unit to match surrounding décor
- Black corner caps and inset panels standard
- Optional sneeze guards
- Remote control installation is required - must chose RMB
- Additional reflector styles and lower wattage elements available, consult factory for more information

Project _____

Item # _____

Quantity _____



Options (available at time of purchase only)

- Designer Color for 9" (229 mm) Housing – Aluminum finish Standard[☛]
- Warm Red Black Gray Granite White Granite
 Navy Blue Hunter Green Antique Copper
- Inset Panel Designer Color – Black Standard[☛]
- Warm Red Black Gray Granite White Granite
 Navy Blue Hunter Green Antique Copper
- Corner Caps color, – Black Standard[†]
- Dark Gray
- No Control – requires selection of RMB2-xx control
- Remote Box, Designer Color – Aluminum finish Standard[☛]
- Warm Red Black Gray Granite White Granite
 Navy Blue Hunter Green Antique Copper
- Sneeze Guards
- 7.5" (191 mm) – One Side 7.5" (191 mm) – Two Sides
 14" (356 mm) – One Side 14" (356 mm) – Two Sides
- Non-Adjustable Stands – in lieu of Standard 14" (356 mm) Stands
- 10" (254 mm) 12" (305 mm) 16" (406 mm)
- Designer Color – Aluminum finish Standard[☛]
- Warm Red Black Gray Granite White Granite
 Navy Blue Hunter Green Antique Copper
- Overhead Mounts 4" (102 mm) in lieu of Standard 14" (356 mm) Stands
- Designer Color – Aluminum finish Standard[☛]
- Warm Red Black Gray Granite White Granite
 Navy Blue Hunter Green Antique Copper
- Extended Electrical Leads
- 1'-5" (305-1525 mm) 6'-10" (1829-3048 mm)
 11'-15" (3352-4572 mm) 16'-20" (4877-6096 mm)

☛ Non-standard color are non-returnable

☛ IFS anti-microbial coatings use naturally-occurring, environmentally sustainable, silver ions to help inhibit the growth of microbes on the powder coated surface. See www.hatcocorp.com/antimicrobial-paint for more information.

☛ For operation, location and safety information, please refer to the Installation and Operating Manual.



HATCO CORPORATION | P.O. Box 340500 Milwaukee, WI 53234-0500 U.S.A. | (414) 671-6350



www.hatcocorp.com | support@hatcocorp.com | [Find a Hatco Rep](#) | [Image Library](#) | [Document Library](#) | [Patents](#) | [Chat](#)

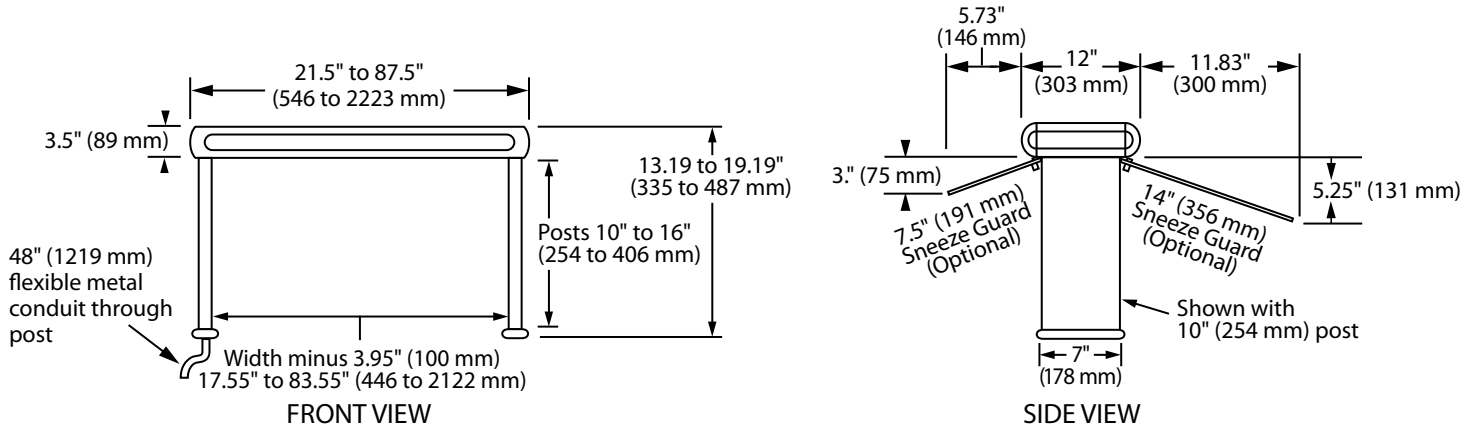


Glo-Ray® Designer Infrared Strip Heaters

Models: GR2A-18, -24, -30, -36, -42, -48, -54, -60, -66, -72, -84

GR2AH -18, -24, -30, -36, -42, -48, -54, -60, -66, -72, -84

GR2A and GR2AH



SPECIFICATIONS

Glo-Ray® Designer Infrared Strip Heaters (without Non-Adjustable Stands)

Standard Watt					High Watt					Both Models	
Model [Ⓔ]	Volts single phase	Watt	Amps	Approx. Ship Weight [Ⓐ]	Model	Volts single phase	Watt	Amps	Approx. Ship Weight [Ⓐ]	Width x Depth x Height	Plug (Optional)
GR2A-18	120	250	2.1	19 lbs. (9 kg)	GR2AH-18	120	350	2.9	28 lbs. (13 kg)	21.5" x 11.9" x 3.5" (546 x 303 x 89 mm)	NEMA 5-15P
	208		1.2			1.7		-			
	240		1.0			1.5		-			
	220-230 (CE) [‡]	250-273	1.1-1.2			350-383	1.6-1.7	CEE 7-7			
	230-240 (CE) [‡]	230-250	1.0-1.0			321-350	1.4-1.5	Schuko BS-1363			
GR2A-24	120	350	2.9	20 lbs. (10 kg.)	GR2AH-24	120	500	4.2	20 lbs. (10 kg.)	27.5" x 11.9" x 3.5" (699 x 303 x 89 mm)	NEMA 5-15P
	208		1.7			2.4		-			
	240		1.5			2.1		-			
	220-230 (CE) [‡]	350-383	1.6-1.7			500-547	2.3-2.4	CEE 7-7			
	230-240 (CE) [‡]	321-350	1.4-1.5			459-500	2.0-2.1	Schuko BS-1363			
GR2A-30	120	450	3.8	27 lbs. (13 kg.)	GR2AH-30	120	660	5.5	27 lbs. (13 kg.)	33.5" x 11.9" x 3.5" (851 x 303 x 89 mm)	NEMA 5-15P
	208		2.2			3.2		-			
	240		1.9			2.8		-			
	220-230 (CE) [‡]	450-492	2.1-2.2			660-721	3.0-3.1	CEE 7-7			
	230-240 (CE) [‡]	413-450	1.8-1.9			606-660	2.6-2.8	Schuko BS-1363			
GR2A-36	120	575	4.8	37 lbs. (17 kg.)	GR2AH-36	120	800	6.7	27 lbs. (13 kg.)	39.5" x 11.9" x 3.5" (1003 x 303 x 89 mm)	NEMA 5-15P
	208		2.8			3.8		-			
	240		2.4			3.3		-			
	220-230 (CE) [‡]	575-629	2.6-2.7			800-874	3.6-3.8	CEE 7-7			
	230-240 (CE) [‡]	528-575	2.3-2.4			735-800	3.2-3.3	Schuko BS-1363			
GR2A-42	120	675	5.6	38 lbs. (18 kg.)	GR2AH-42	120	950	7.9	34 lbs. (16 kg.)	45.5" x 11.9" x 3.5" (1156 x 303 x 89 mm)	NEMA 5-15P
	208		3.2			4.6		-			
	240		2.8			4.0		-			
	220-230 (CE) [‡]	675-738	3.1-3.2			950-1038	4.3-4.5	CEE 7-7			
	230-240 (CE) [‡]	620-675	2.7-2.8			872-950	3.8-4.0	Schuko BS-1363			
GR2A-48	120	800	6.7	43 lbs. (20 kg.)	GR2AH-48	120	1100	9.2	27 lbs. (13 kg.)	51.5" x 11.9" x 3.5" (1308 x 303 x 89 mm)	NEMA 5-15P
	208		3.8			5.3		-			
	240		3.3			4.6		-			
	220-230 (CE) [‡]	800-874	3.6-3.8			1100-1202	5.0-5.2	CEE 7-7			
	230-240 (CE) [‡]	735-800	3.2-3.3			1010-1100	4.4-4.6	Schuko BS-1363			
GR2A-54	120	925	7.7	43 lbs. (20 kg.)	GR2AH-54	120	1250	10.4	43 lbs. (20 kg.)	57.5" x 11.9" x 3.5" (1460 x 303 x 89 mm)	NEMA 5-15P
	208		4.4			6.0		-			
	240		3.9			5.2		-			
	220-230 (CE) [‡]	925-1011	4.2-4.4			1250-1366	5.7-5.9	CEE 7-7			
	230-240 (CE) [‡]	849-925	3.7-3.9			1148-1250	5.0-5.2	Schuko BS-1363			
GR2A-60	120	1050	8.8	40 lbs. (19 kg.)	GR2AH-60	120	1400	11.7	40 lbs. (19 kg.)	63.5" x 11.9" x 3.5" (1613 x 303 x 89 mm)	NEMA 5-15P
	208		5.0			6.7		-			
	240		4.4			5.8		-			
	220-230 (CE) [‡]	1050-1148	4.8-5.0			1400-1530	6.4-6.7	CEE 7-7			
	230-240 (CE) [‡]	964-1050	4.2-4.4			1286-1400	5.6-5.8	Schuko BS-1363			

Ⓔ When no color is specified, color inset panels and corner caps will be black.

Ⓐ Shipping weight includes packaging, and does not include RMB, must order an RMB.

‡ CE approved units for 220-230V utilize a 220V heating system; 230-240V CE units utilize a 240V heating system.

HATCO CORPORATION

P.O. Box 340500 Milwaukee, WI 53234-0500 U.S.A. | (414) 671-6350



www.hatcocorp.com

support@hatcocorp.com

[Find a Hatco Rep](#)

[Image Library](#)

[Document Library](#)

[Patents](#)

[Chat](#)



Glo-Ray® Designer Infrared Strip Heaters

Models: GR2A-18, -24, -30, -36, -42, -48, -54, -60, -66, -72, -84
GR2AH -18, -24, -30, -36, -42, -48, -54, -60, -66, -72, -84

SPECIFICATIONS

Glo-Ray® Designer Infrared Strip Heaters (without Non-Adjustable Stands)

Standard Watt					High Watt					Both Models	
Model	Volts single phase	Watt	Amps	Approx. Ship Weight [▲]	Model	Volts single phase	Watt	Amps	Approx. Ship Weight [▲]	Width x Depth x Height	Plug (Optional)
GR2A-66	120	1160	9.7	40 lbs. (19 kg.)	GR2AH-66 [▲]	120	1560	13.0	40 lbs. (19 kg.)	69.5" x 11.9" x 3.5" (1765 x 303 x 89 mm)	NEMA 5-15P *
	208		5.6			208		7.5			-
	240		4.8			240		6.5			-
	220-230 (CE) [‡]	5.3-5.5	220-230 (CE) [‡]			7.1-7.4	CEE 7-7				
	230-240 (CE) [‡]	4.6-4.8	230-240 (CE) [‡]			6.2-6.5	Schuko BS-1363				
GR2A-72	120	1275	10.6	42 lbs. (20 kg.)	GR2AH-72 [▲]	120	1725	14.4	42 lbs. (20 kg.)	75.5" x 11.9" x 3.5" (1918 x 303 x 89 mm)	NEMA 5-15P *
	208		6.1			208		8.3			-
	240		5.3			240		7.2			-
	220-230 (CE) [‡]	5.8-6.1	220-230 (CE) [‡]			7.8-8.2	CEE 7-7				
	230-240 (CE) [‡]	5.1-5.3	230-240 (CE) [‡]			6.9-7.2	Schuko BS-1363				
GR2A-84 [▲]	120	1500	12.5	46 lbs. (21 kg.)	GR2AH-84 [▲]	120	1900	15.8	46 lbs. (21 kg.)	87.5" x 11.9" x 3.5" (2223 x 303 x 89 mm)	NEMA 5-15P
	208		7.2			208		9.9			-
	240		6.3			240		8.5			-
	220-230 (CE) [‡]	6.8-7.1	220-230 (CE) [‡]			9.3-9.7	CEE 7-7				
	230-240 (CE) [‡]	6.0-6.3	230-240 (CE) [‡]			8.2-8.5	Schuko BS-1363				

- ☼ When no color is specified, color inset panels and corner caps will be black.
- ▲ Shipping weight includes packaging, and does not include RMB, must order an RMB.
- ‡ CE approved units for 220-230V utilize a 220V heating system; 230-240V CE units utilize a 240V heating system.
- ▲ When using an infinite control with 120 volt model, additional switch(es) and tandem (end-to-end) elements required.
- ▲ 120V models require additional switches and tandem (end-to-end) elements that December be individually controlled.
- ★ GRAH-66 and GRAH-72 require NEMA 5-20P cord for Canada.

SWITCH LOCATION

Remote only.

LEADS

5" (1524 mm) through 0.5" (13 mm) conduit in Stand cavity is standard

ELEMENT HEIGHT REQUIREMENTS

(Refer to the Installation section of the Manual on the Hatco website)

Standard Watt:

Height: 8"-12" (203-305 mm)
Target Width: 12"-14" (305-356 mm)

High Watt:

Height: 11"-14" (279-356 mm)
Target Width: 14"-16" (356-406 mm)

REMOTE CONTROL ENCLOSURES

Must order one RMB control box per Strip Heater - If RMB2 is used, multiple warmers can be controlled from one box.



[Click here to download the RMB Choose Remote Box Excel Spreadsheet](#)

or follow this file path: www.hatcocorp.com > Resources > Choose Remote Box

Model	Width	Switches
RMB-3	6" (150 mm)	1 infinite or 1 toggle
RMB-7	9.375" (239 mm)	1 infinite with pilot light
RMB-14	14.375" (366 mm)	2 infinities with pilot light
RMB2-1R	11" (279 mm)	1 toggle, 1 infinite, 1 relay, 1 indicator light
RMB2-2R	14" (356 mm)	1 toggle, 1 infinite, 2 relays, 1 indicator light



RMB-14E with infinite controls

RMB-7C with infinite controls

PRODUCT SPECS

Designer Infrared Foodwarmers

The Designer Infrared Foodwarmer shall be a Glo-Ray®, manufactured by the Hatco Corporation, Milwaukee, WI 53234 U.S.A. The foodwarmer shall be a Glo-Ray model ... , rated at ... watts, ... volts, single phase and be ... inches (millimeters) in overall width. The Glo-Ray shall consist of an aluminum housing and include as standard equipment 14" (356 mm) Designer Stands. The infrared heating element shall be tubular metal sheathed. The foodwarmer shall be factory assembled ready for electrical installation.

Options shall include Designer Stands in various sizes (available in Designer Colors), Overhead Mounts (available in Designer Colors), dark gray Corner Caps, Sneeze Guards, no Control, no Bulb, extra Lamps, Extended Electrical Power Leads and Remote Control Enclosure. Designer Colors shall be anti-microbial paint.

Warranty consists of 24/7 parts and service assistance (U.S. and Canada only).

HATCO CORPORATION | P.O. Box 340500 Milwaukee, WI 53234-0500 U.S.A. | (414) 671-6350



www.hatcocorp.com | support@hatcocorp.com | [Find a Hatco Rep](#) | [Image Library](#) | [Document Library](#) | [Patents](#) | [Chat](#)