



Project \_\_\_\_\_

Item # \_\_\_\_\_

Quantity \_\_\_\_\_

# Glo-Ray® Curved Merchandising Warmers

Models: GRGMW-1, -1D, -1DH

The Glo-Ray® Curved Merchandising Warmer offers a unique and attractive solution for impulse merchandising a wide variety of food products. The unit's attractive design holds wrapped or fresh food product for any restaurant, hotel, convenience store or grab-n-go retail market setting.

## Standard features

- Single shelf and dual shelf units come standard with mirrored glass back panel
- Halogen lighting allows for optimal food product display. Export voltage models use halogen lighting
- The Hatco GRGMW-1 single shelf unit is controlled by a main switch making start up and shut down a one touch operation. The warmer comes standard with a food stop, side glass enclosures and back mirror glass panel that are removable for cleaning
- The Hatco GRGMW-1D, -1DH dual shelf units feature one lower front polycarbonate access door, side glass enclosures and an upper sneeze guard. The top shelf holds two 1/2 size pans or one full size pan. The bottom shelf holds two 1/2 size pans, with or without humidity
- The GRGMW-1DH model has a water reservoir capacity of 5 cups (1.18 liters)
- All models are shipped with 1" (25 mm) adjustable legs and factory attached 6' (1829 mm) cord and plug
- Models with simulated stone finishes are Swanstone®



GRGMW-1 in standard Designer Black with food pans (not included)



GRGMW-1DH in standard Designer Black with food pans (not included)

## Options (available at time of purchase only)

Designer Colors<sup>1</sup> – Unit's painted surface – Black standard –

Non-standard colors are non-returnable

- Warm Red  Gray Granite  White Granite
- Navy Blue  Hunter Green  Antique Copper

Simulated Stone Finishes – Swanstone – Unit's painted surface and decorative trim inserts – Non-standard colors are non-returnable

- Ash Gray  Birch  Ice

Top and Bottom Shelf Flip-Up Doors on server's side in lieu of Mirrored Back Panel (GRGMW-1D, -1DH models only)

Top Shelf Flip-Up Door on customer side in lieu of Sneeze Guard (GRGMW-1D, -1DH models only)

## WATER QUALITY REQUIREMENTS

Water supply in excess of 3.0 grains of hardness per gallon (GPG) (.75 grains of hardness per liter) must be treated and softened before being used. Water containing over 3.0 GPG (.75 GPL) will decrease the efficiency and reduce the operating life of the unit.

**Note: Product failure caused by liming or sediment buildup is not covered under warranty.**



For colors and finishes, please refer to the Color Chip Chart.



<sup>1</sup> IFS anti-microbial coatings use naturally-occurring, environmentally sustainable, silver ions to help inhibit the growth of microbes on the powder coated surface. See [www.hatcocorp.com/antimicrobial-paint](http://www.hatcocorp.com/antimicrobial-paint) for more information.



For operation, location and safety information, please refer to the Installation and Operating Manual.



HATCO CORPORATION | P.O. Box 340500 Milwaukee, WI 53234-0500 U.S.A. | (414) 671-6350



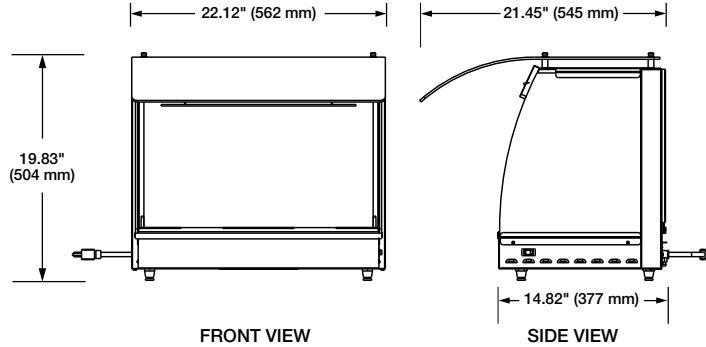
[www.hatcocorp.com](http://www.hatcocorp.com) | [support@hatcocorp.com](mailto:support@hatcocorp.com) | [Find a Hatco Rep](#) | [Image Library](#) | [Document Library](#) | [Patents](#) | [Chat](#)



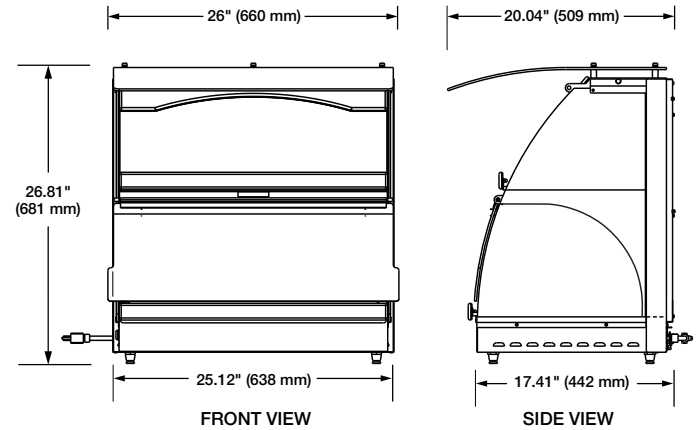
# Glo-Ray® Curved Merchandising Warmers

Models: GRCMW-1, -1D, -1DH

## GRCMW-1



## GRCMW-1D, -1DH



### Single Shelf – Curved Merchandising Warmer

The shaded areas contain electrical information for international models

Model	Dimensions (W x D x H)	Useable Heated Shelf Space (W x D)	Volts Single Phase	Watts	Amps	Plug	Approx. Ship Weight
GRCMW-1	22.12" x 21.45" x 19.83" (562 x 545 x 504 mm)	19.75" x 13" (501 x 330 mm)	120	670	5.6	NEMA 5-15P	56 lbs. (26 kg)
			220-230	619-676	2.8-2.9	CEE 7/7 Schuko	
			230-240	615-670	2.7-2.8	BS-1363	

### Dual Shelf – Curved Merchandising Warmer

Model	Dimensions (W x D x H) Height includes 1" (25 mm) legs	Useable Heated Shelf Space (W x D)	Volts Single Phase	Watts	Amps	Plug	Approx. Ship Weight
GRCMW-1D	26" x 20.04" x 26.81" (660 x 509 x 681 mm)	Top: 22.75" x 12.37" (577 x 314 mm) Bottom: 22.75" x 15.62" (577 x 396 mm)	120	1540	12.8	NEMA 5-15P, NEMA 5-20P	92 lbs. (42 kg)
			220-230	1294-1414	5.9-6.1	CEE 7/7 Schuko	
			230-240	1414-1540	6.1-6.4	BS-1363 or AS-3112	

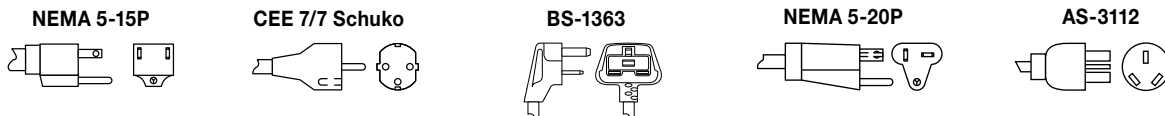
### Dual Shelf with Humidity – Curved Merchandising Warmer

Model	Dimensions (W x D x H) Height includes 1" (25 mm) legs	Useable Heated Shelf Space (W x D)	Volts Single Phase	Watts	Amps	Plug	Approx. Ship Weight
GRCMW-1DH	26" x 20.04" x 26.81" (660 x 509 x 681 mm)	Top: 22.75" x 12.37" (577 x 314 mm) Bottom: 22.75" x 15.62" (577 x 396 mm)	120	1660	13.8	NEMA 5-15P, NEMA 5-20P	100 lbs. (46 kg)
			220-230	1395-1525	6.3-6.6	CEE 7/7 Schuko	
			230-240	1525-1660	6.6-6.9	BS-1363 or AS-3112	

### CORD LOCATION

Control side at right base corner.

### PLUG CONFIGURATIONS



### PRODUCT SPECS

#### Glo-Ray® Curved Merchandising Warmers

The Curved Merchandising Warmer shall be a Glo-Ray® Model ... as manufactured by the Hatco Corporation, Milwaukee, WI 53234 U.S.A.

The warmer shall be rated at ... watts, ... volts and be ... inches (millimeters) in overall width. It shall consist of a thermostatically-controlled heated base, full view tempered glass sides, and xenon display lights. Export voltage models use halogen lights.

The infrared heating element shall be tubular metal sheathed and the warmer shall have a cord with plug attached.

Warranty consists of 24/7 parts and service assistance (US and Canada only).

HATCO CORPORATION | P.O. Box 340500 Milwaukee, WI 53234-0500 U.S.A. | (414) 671-6350



[www.hatcocorp.com](http://www.hatcocorp.com) | [support@hatcocorp.com](mailto:support@hatcocorp.com) | [Find a Hatco Rep](#) | [Image Library](#) | [Document Library](#) | [Patents](#) | [Chat](#)