



Project \_\_\_\_\_

Item # \_\_\_\_\_

Quantity \_\_\_\_\_

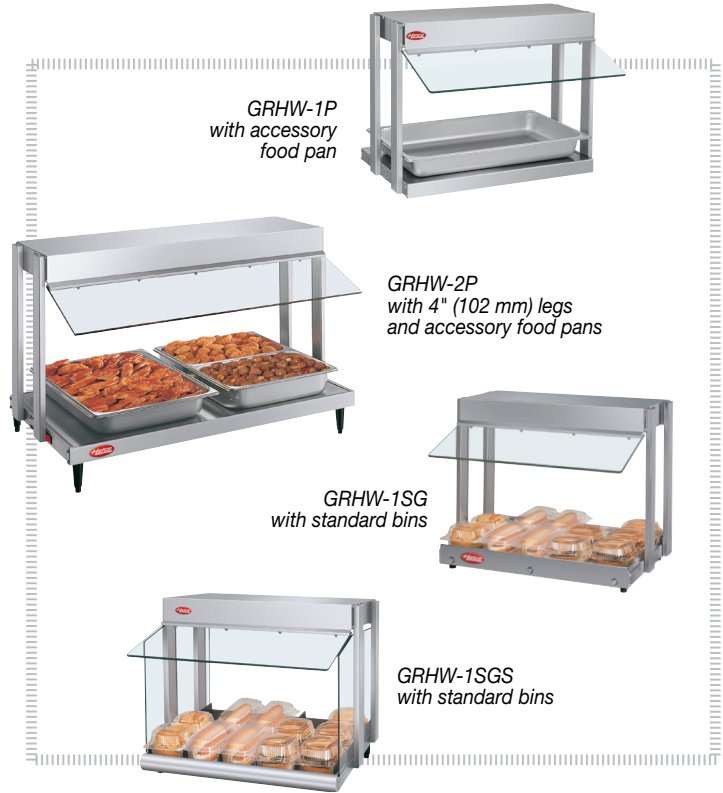
# Glo-Ray® Mini-Merchandisers

Models: GRHW-1P, -2P, -1SG, -1SGS

Hatco's convenient Mini-Merchandisers create impulse sales by placing fresh product in front of customers. Using a limited amount of valuable counterspace, these flexible warmers come in a variety of shapes, sizes and colors to hold food samples, hors d'oeuvres and packaged product at just the right temperature. They are ideal for packaged product at any time of the day. Great for delis, supermarkets, convenience stores, kiosks or concession stands.

## Standard features

- Pre-focused infrared top heat directs heat to the outer edges where heat loss is greatest
- Thermostatically-controlled heated base extends holding times of most foods
- Sturdy sneeze guard protect food - 7.5" (191 mm) deep
- Shatter-resistant incandescent lights enhance product displays while safeguarding food from bulb breakage
- Lighted rocker switch for easy On/Off
- Models come with 6' (1829 mm) cord and plug, 1" (25 mm) rubber legs [GRHW-2P has 4" (102 mm) legs], five 4" (102 mm) bins (GRHW-1SG, -1SGS only), 7.5" (191 mm) Sneeze Guard
- GRHW-1P, -2P available in a one- or two-pan model with a top breath protector on one side of unit
- GRHW-1SG offers slanted base, side enclosures, food stop
- Metal sheathed elements guaranteed against burnout and breakage for two years



## Options (available at time of purchase only)

Designer Colors – Clear Anodized Aluminum Standard – Non-standard colors are non-returnable

- Warm Red
- Black
- Gray Granite
- White Granite
- Navy Blue
- Hunter Green
- Antique Copper

Halogen Bulb in lieu of Standard Display Light (60 watt)

Plexi-glass side panels (GRHW-1P, -2P, -1SG only)

## Accessories

4" (102 mm) Adjustable Legs for GRHW-1P, -1SG only (standard on GRHW-2P)

Chef LED adjustable bulb - bulb must be rotated down  
120V: 3000K Similar to warm halogen 4000K Similar to cool fluorescent  
230V: 3000K Similar to warm halogen 4000K Similar to cool fluorescent

IFS anti-microbial coatings use naturally-occurring, environmentally sustainable, silver ions to help inhibit the growth of microbes on the powder coated surface. See [www.hatcocorp.com/antimicrobial-paint](http://www.hatcocorp.com/antimicrobial-paint) for more information.

For operation, location and safety information, please refer to the Installation and Operating Manual.



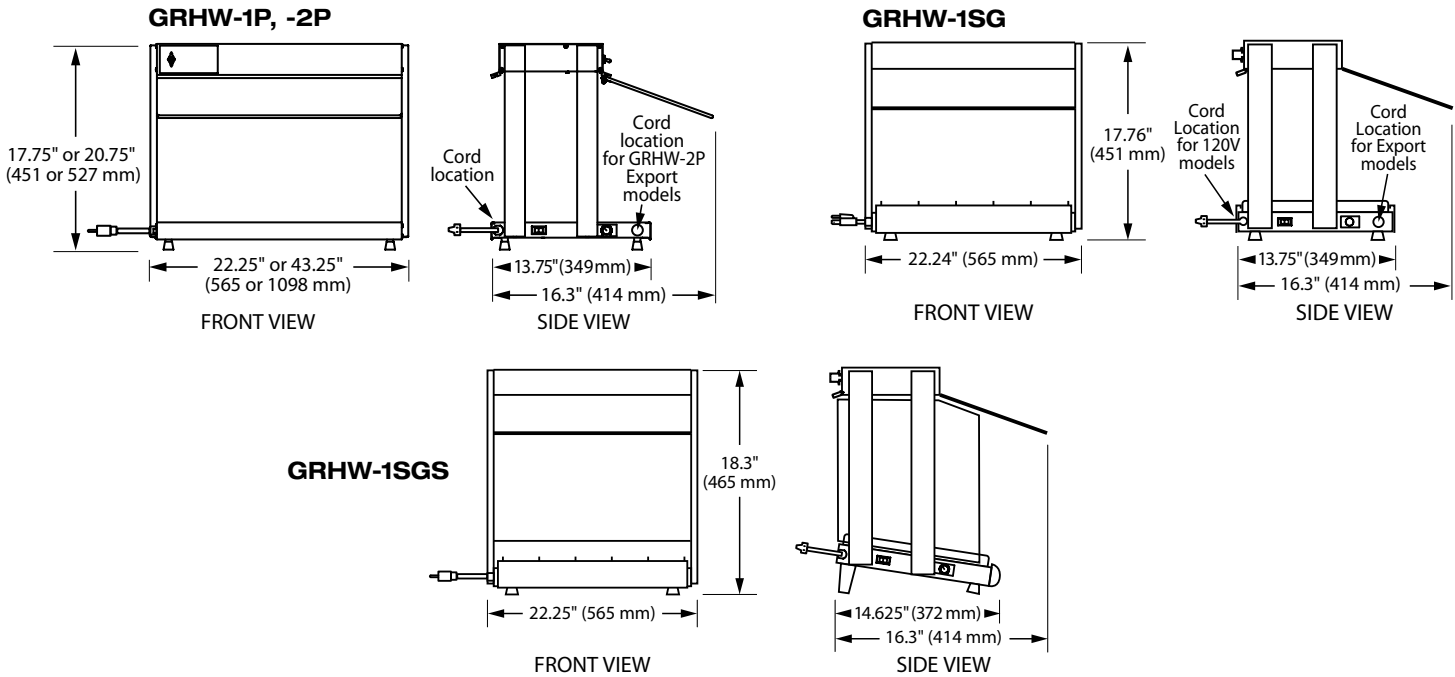
HATCO CORPORATION | P.O. Box 340500 Milwaukee, WI 53234-0500 U.S.A. | (414) 671-6350

[www.hatcocorp.com](http://www.hatcocorp.com) | [support@hatcocorp.com](mailto:support@hatcocorp.com) | [Find a Hatco Rep](#) | [Image Library](#) | [Document Library](#) | [Patents](#) | [Chat](#)



# Glo-Ray® Mini-Merchandisers

Models: GRHW-1P, -2P, -1SG, -1SGS



## SPECIFICATIONS Glo-Ray® Mini Merchandisers - Singles

The shaded areas contain electrical information for international models

Model	Description	Dimensions (W x D x H) Includes Sneeze Guard	Base Dimensions (W x D)	Volts	Watts	Amps	Plug Configuration	Approx. Ship Weight
GRHW-1P <sup>+</sup>	Hors d'oeuvres warmer 2 light bulbs	22.25" x 16.3" x 17.75" (565 x 414 x 451 mm)	21" x 13.75" (533 x 349 mm)	120	820	6.8	NEMA 5-15P	35 lbs. (16 kg.)
				220	782	3.6	CEE 7/7 Schuko or BS-1363	
				240	838	3.5	CEE 7/7 Schuko or AS 3112	
				220-230 (CE)	782-855	3.6-3.7	CEE 7/7 Schuko	
				230-240 (CE)	769-838	3.3-3.5	BS-1363	
GRHW-2P <sup>‡</sup>	Hors d'oeuvres warmer 4 light bulbs	43.25" x 16.3" x 20.75" (1098 x 414 x 527 mm)	42" x 13.75" 1067 x 349 mm)	120	1640	13.7	NEMA 5-15P <sup>◆</sup>	67 lbs. (31 kg.)
				220	1560	7.1	CEE 7/7 Schuko or BS-1363	
				240	1680	7.0	CEE 7/7 Schuko or AS 3112	
				220-230 (CE)	1560-1705	7.1-7.4	CEE 7/7 Schuko	
				230-240 (CE)	1542-1680	6.7-7.0	BS-1363	
GRHW-1SG <sup>+</sup>	Single horizontal shelf 2 light bulbs	22.25" x 16.3" x 17.76" (565 x 414 x 451 mm)	21" x 13.75" (533 x 349 mm)	120	820	6.8	NEMA 5-15P	37 lbs. (17 kg.)
				220	782	3.6	CEE 7/7 Schuko	
				240	838	3.5	BS-1363	
				220-230 (CE)	782-855	3.6-3.7	CEE 7/7 Schuko	
				230-240 (CE)	769-838	3.3-3.5	BS-1363	
GRHW-1SGS	Single slanted shelf 2 light bulbs	22.24" x 16.3" x 18.3" (565 x 414 x 465 mm)	21" x 13.75" (533 x 349 mm)	120	820	6.8	NEMA 5-15P	40 lbs. (19 kg.)

<sup>+</sup> Add 3" (76 mm) to height when using accessory 4" (102 mm) legs.

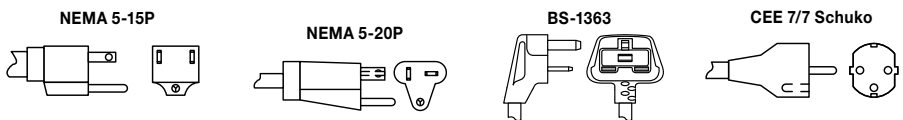
<sup>◆</sup> NEMA 5-20P for Canada.

<sup>‡</sup> Standard 4" (102 mm) legs included in height.

### CORD LOCATION

All 120V Models: Base end plate same side as switch, back.  
Other Voltages: Base Side Panel, front Corner, same side as switch (See illustrations above for more details).

### PLUG CONFIGURATIONS



### PRODUCT SPECS

#### Glo-Ray® Mini-Merchandisers

The heated Mini-Merchandiser shall be a Glo-Ray® Model ... as manufactured by the Hatco Corporation, Milwaukee, WI 53234 U.S.A.

The warmer shall be rated at ... watts, ... volts, and be ... inches (millimeters) in overall width. It shall consist of a thermostatically-controlled heated base, infrared heat from above, sneeze guard and incandescent display lights. The infrared heating element shall

be tubular metal sheathed and the warmer shall have a cord with plug attached.

Options shall include *Designer Colors* in anti-microbial paint, Halogen Bulb and Plexi-glass Side Panels. Accessories include 4" (102 mm) Adjustable Legs, and Chef LED Bulbs.

Warranty consists of 24/7 parts and service assistance (U.S. and Canada only).

HATCO CORPORATION | P.O. Box 340500 Milwaukee, WI 53234-0500 U.S.A. | (414) 671-6350



[www.hatcocorp.com](http://www.hatcocorp.com) | [support@hatcocorp.com](mailto:support@hatcocorp.com) | [Find a Hatco Rep](#) | [Image Library](#) | [Document Library](#) | [Patents](#) | [Chat](#)