



Project \_\_\_\_\_

Item # \_\_\_\_\_

Quantity \_\_\_\_\_

# Compact Electrical Booster Water Heaters

Model: C-4, -5, -6, -7, -9, -12, -13, -15, -17, -18, -24, -27, -30, -36, -39, -45, -54, -57

The Hatco Compact Electric Booster Water Heater provides all the 180°F (82°C) final rinse water required to sanitize and flash-dry dishes and flatware. The space saving Compact is easy to install next to the dishwasher with slide brackets or on 6" (152 mm) legs. The storage capacity is 6 gallons (23 liters).

## Standard features

- All models include a Castone® lined tank with a 10-year limited warranty
- Features include a temperature/pressure relief valve, a pressure reducing valve, two temperature/pressure gauges, a high-temperature limit control, pilot indicator light, on-off switch, a low-water cut-off to prevent element burnout due to a low water condition, and a 3/4" NPT pipe and fittings for inlet and outlet.
- Available with slide brackets for mounting under a dishtable
- Each booster has fiberglass insulation to minimize heat loss
- Hatco electric booster heaters are factory pre-plumbed and pre-wired with calibrated immersion thermostat and high-temperature limit switch
- A stainless steel front panel and powdercoated / silver-gray hammertone body is standard on all Compact models
- Swing-away front panels with low-water cut-off, control fuses and transformer allow quick access to probes and elements for easier serviceability



## Options (available at time of purchase only)

- Stainless steel body and base
- Security package (Torx screws and control cover)

## Accessories

- Additional slide brackets
- Additional stainless steel floor mounting leg assembly
- Blended Phosphate injection system (not for potable water)
- Shock absorber (reduces water hammer)
- Back pressure relief valve
- Additional brass pressure reducing valve with by-pass
- Additional stainless steel adjustable legs 6" - 7" (152 - 178 mm)

 IFS anti-microbial coatings use naturally-occurring, environmentally sustainable, silver ions to help inhibit the growth of microbes on the powder coated surface. See [www.hatcocorp.com/antimicrobial-paint](http://www.hatcocorp.com/antimicrobial-paint) for more information.

 For operation, location and safety information, please refer to the Installation and Operating Manual.



HATCO CORPORATION | P.O. Box 340500 Milwaukee, WI 53234-0500 U.S.A. | (800) 558-0607 | (414) 671-6350

 [www.hatcocorp.com](http://www.hatcocorp.com) | [support@hatcocorp.com](mailto:support@hatcocorp.com) | [Find a Hatco Rep](#) | [Image Library](#) | [Document Library](#) | [Chat](#)



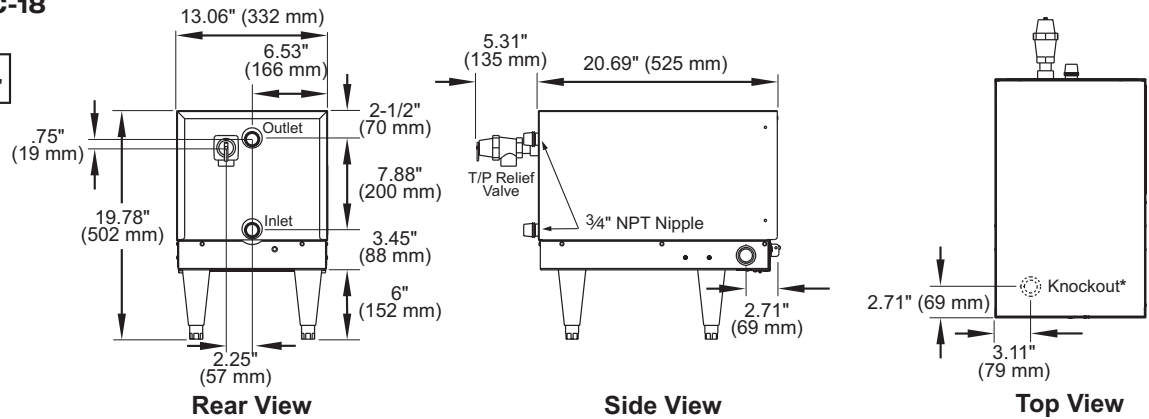
# Compact Electrical Booster Water Heaters

Model: C-4, -5, -6, -7, -9, -12, -13, -15, -17, -18, -24, -27, -30, -36, -39, -45, -54, -57

## Models C-4 through C-18

Electrical Knockouts left side and bottom—3/4", 1", and 1-1/4"

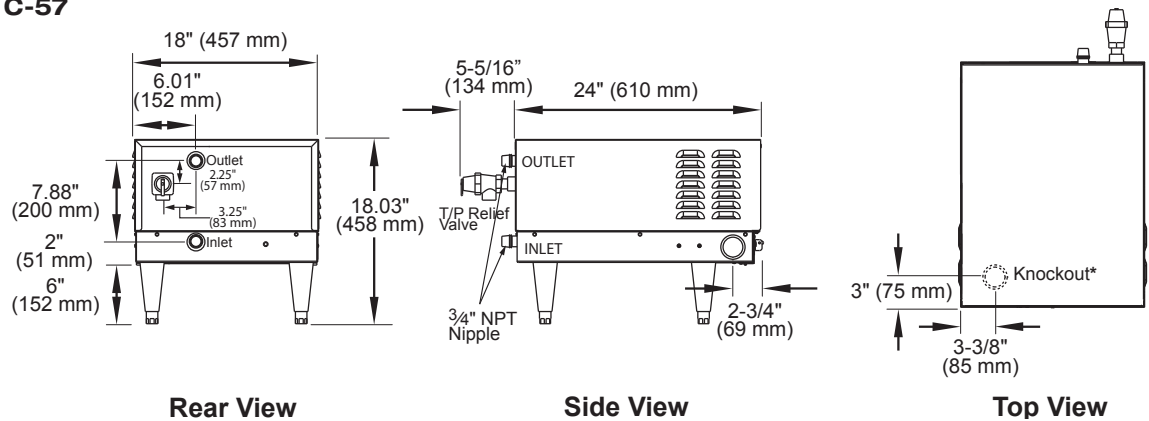
\* Knockout is located on the bottom of unit.



## Models C-24 through C-57

Electrical Knockouts left side and bottom—1-1/2" and 2"

\* Knockout is located on the bottom of unit.



## SPECIFICATIONS Compact Electric Boosters

Model	Dimensions (Width x Depth x Height*)	kW	Volts	1 phase		3 phase		Ship Weight*
				Amps	Breaker/ Fuse Size	Amps	Breaker/ Fuse Size	
C-4	13.06" x 20.69" (26") x 13.78" (332 x 525 (660 mm) x 350 mm)	4	208	19.3	30	—	—	115 lbs. (52 kg)
			240	16.7	30	—	—	
			480	8.4	15	—	—	
C-5	13.06" x 20.69" (26") x 13.78" (332 x 525 (660 mm) x 350 mm)	5	208	24.1	30	—	—	115 lbs. (52 kg)
			240	20.9	30	—	—	
			480	10.5	15	—	—	
C-6*	13.06" x 20.69" (26") x 13.78" (332 x 525 (660 mm) x 350 mm)	6	208	28.9	40	25	40	118 lbs. (54 kg)
			240	25	40	21.6	30	
			480	12.5	20	10.8	15	
			600	—	—	6.1	15	
C-7*	13.06" x 20.69" (26") x 13.78" (332 x 525 (660 mm) x 350 mm)	7	208	33.7	50	29.1	40	118 lbs. (54 kg)
			240	29.2	40	25.2	40	
			480	14.6	20	12.6	20	
			600	—	—	6.8	15	

\* Height does not include legs.

\* Shipping weight includes packaging.

† Includes Temperature/Pressure Relief Valve.

♦ Only 6, 7, & 9kW Models, 208 and 240 volts only, can be field converted to single phase (units are shipped 3-phase open delta). Larger branch circuit required than for balanced 3-phase of equal kW. (Balanced 3-phase available, consult factory.)

HATCO CORPORATION | P.O. Box 340500 Milwaukee, WI 53234-0500 U.S.A. | (800) 558-0607 | (414) 671-6350



[www.hatcocorp.com](http://www.hatcocorp.com) | [support@hatcocorp.com](mailto:support@hatcocorp.com) | [Find a Hatco Rep](#) | [Image Library](#) | [Document Library](#) | [Chat](#)



# Compact Electrical Booster Water Heaters

Model: C-4, -5, -6, -7, -9, -12, -13, -15, -17, -18, -24, -27, -30, -36, -39, -45, -54, -57

## SPECIFICATIONS Compact Electric Boosters

Model	Dimensions (Width x Depth x Height*)	kW	Volts	1 phase		3 phase		Ship Weight†
				Amps	Breaker/ Fuse Size	Amps	Breaker/ Fuse Size	
C-9*	13.06" x 20.69" (26"†) x 13.78" (332 x 525 (660 mm) x 350 mm)	9	208	43.3	60	37.5	50	118 lbs. (54 kg)
			240	37.5	50	32.4	50	
			480	18.8	30	16.3	30	
			600	—	—	8.7	15	
C-12	13.06" x 20.69" (26"†) x 13.78" (332 x 525 (660 mm) x 350 mm)	12	208	57.7	90	33.4	50	120 lbs. (54 kg)
			240	50	70	28.9	40	
			480	25	40	14.5	20	
			600	—	—	11.6	20	
C-13	13.06" x 20.69" (26"†) x 13.78" (332 x 525 (660 mm) x 350 mm)	13.5	208	65	90	37.5	50	120 lbs. (54 kg)
			240	56.3	90	32.5	50	
			480	28.2	20	16.3	30	
			600	—	—	13.1	20	
C-15	13.06" x 20.69" (26"†) x 13.78" (332 x 525 (660 mm) x 350 mm)	15	208	72.2	90	41.7	60	120 lbs. (54 kg)
			240	62.5	90	36.1	50	
			480	31.3	40	18.1	30	
			600	—	—	14.5	20	
C-17	13.06" x 20.69" (26"†) x 13.78" (332 x 525 (660 mm) x 350 mm)	17.25	208	—	—	47.9	60	120 lbs. (54 kg)
C-18	13.06" x 20.69" (26"†) x 13.78" (332 x 525 (660 mm) x 350 mm)	18	208	86.6	125	—	—	120 lbs. (54 kg)
			240	75	100	43.4	60	
			480	37.5	50	21.7	30	
			600	—	—	17.4	30	
C-24	18" x 24" (29.25"†) x 12.03" (457 x 610 (743 mm) x 306 mm)	24	208	115.4	150	66.7	90	142 lbs. (64 kg)
			240	100	125	57.8	90	
			480	—	—	28.9	40	
			600	—	—	23.2	30	
C-27	18" x 24" (29.25"†) x 12.03" (457 x 610 (743 mm) x 306 mm)	27	208	129.9	175	75	100	142 lbs. (64 kg)
			240	112.5	150	65	90	
			480	—	—	32.5	50	
			600	—	—	26.1	40	
C-30	18" x 24" (29.25"†) x 12.03" (457 x 610 (743 mm) x 306 mm)	30	208	144.3	200	83.3	125	142 lbs. (64 kg)
			240	125	175	72.2	100	
			480	—	—	36.1	50	
			600	—	—	29	40	
C-36	18" x 24" (29.25"†) x 12.03" (457 x 610 (743 mm) x 306 mm)	36	208	173.1	225	100	125	142 lbs. (64 kg)
			240	150	200	86.7	125	
			480	—	—	43.4	60	
			600	—	—	34.8	50	
C-39	18" x 24" (29.25"†) x 12.03" (457 x 610 (743 mm) x 306 mm)	39	208	187.5	250	108.3	150	142 lbs. (64 kg)
			240	162.5	225	93.9	125	
			480	—	—	47	60	
			600	—	—	37.7	50	

\* Height does not include legs.

\* Shipping weight includes packaging.

† Only 6, 7, & 9kW Models, 208 and 240 volts only, can be field converted to single phase (units are shipped 3-phase open delta). Larger branch circuit required than for balanced 3-phase of equal kW. (Balanced 3-phase available, consult factory.)

† Includes Temperature/Pressure Relief Valve.

**HATCO CORPORATION** | P.O. Box 340500 Milwaukee, WI 53234-0500 U.S.A. | (800) 558-0607 | (414) 671-6350



[www.hatcocorp.com](http://www.hatcocorp.com) | [support@hatcocorp.com](mailto:support@hatcocorp.com) | [Find a Hatco Rep](#) | [Image Library](#) | [Document Library](#) | [Chat](#)



# Compact Electrical Booster Water Heaters

Model: C-4, -5, -6, -7, -9, -12, -13, -15, -17, -18, -24, -27, -30, -36, -39, -45, -54, -57

## SPECIFICATIONS Compact Electric Boosters

The shaded areas contain electrical information for International models

Model	Dimensions (Width x Depth x Height*)	kW	Volts	1 phase		3 phase		Ship Weight*
				Amps	Breaker/ Fuse Size	Amps	Breaker/ Fuse Size	
C-45	18" x 24" (29.25") x 12.03" (457 x 610 (743 mm) x 306 mm)	45	208	—	—	125	175	142 lbs. (64 kg)
			240	187.5	250	108.3	150	
			480	—	—	54.2	70	
			600	—	—	43.5	60	
C-54	18" x 24" (29.25") x 12.03" (457 x 610 (743 mm) x 306 mm)	54	208	—	—	149.9	200	142 lbs. (64 kg)
			240	—	—	130	175	
			480	—	—	65	90	
			600	—	—	52.1	70	
C-57	18" x 24" (29.25") x 12.03" (457 x 610 (743 mm) x 306 mm)	57	208	—	—	158.3	200	142 lbs. (64 kg)
			240	—	—	137.2	175	
			480	—	—	68.6	90	
			600	—	—	54.9	70	

\* Height does not include legs.  
\* Shipping weight includes packaging.  
† Includes Temperature/Pressure Relief Valve.

## WATER TEMPERATURE RECOVERY TABLE

Model	40°F (22°C) Rise	70°F (39°C) Rise
C-4	40 gph ( 151 lph)	23 gph ( 87 lph)
C-5	50 gph ( 189 lph)	29 gph ( 110 lph)
C-6	60 gph ( 227 lph)	34 gph ( 129 lph)
C-7	70 gph ( 265 lph)	40 gph ( 151 lph)
C-9	90 gph ( 341 lph)	52 gph ( 197 lph)
C-12	120 gph ( 454 lph)	69 gph ( 261 lph)
C-13	135 gph ( 511 lph)	77 gph ( 292 lph)
C-15	151 gph ( 572 lph)	86 gph ( 326 lph)
C-17	173 gph ( 655 lph)	99 gph ( 375 lph)

Model	40°F (22°C) Rise	70°F (39°C) Rise
C-18	181 gph ( 685 lph)	103 gph ( 390 lph)
C-24	241 gph ( 912 lph)	138 gph ( 522 lph)
C-27	271 gph (1026 lph)	155 gph ( 587 lph)
C-30	301 gph (1139 lph)	172 gph ( 651 lph)
C-36	361 gph (1367 lph)	206 gph ( 780 lph)
C-39	391 gph (1480 lph)	224 gph ( 848 lph)
C-45	452 gph (1711 lph)	258 gph ( 977 lph)
C-54	542 gph (2052 lph)	310 gph (1174 lph)
C-57	573 gph (2169 lph)	326 gph (1234 lph)

## WATER QUALITY REQUIREMENTS

Incoming water in excess of 3.0 grains of hardness per gallon (GPG) (.75 grains of hardness per liter) must be treated and softened before being supplied to booster heater(s). Water containing over 3.0 GPG (.75 GPL) will decrease the efficiency and reduce the operating life of the unit.

**Note: Product failure caused by liming or sediment buildup is not covered under warranty.**

## PRODUCT SPECS Electric Booster Water Heaters

The Electric Booster Water Heater shall be manufactured for commercial use by the Hatco Corporation, Milwaukee, WI 53234 U.S.A.

The booster to supply the final 180°F (82°C) rinse for the dishwasher shall have the capacity to heat ... gph (lph) from 120°F to 180°F (49°C to 82°C) and it shall be rated at ... kW, ... volts, ... phase. The tank shall be designed for a working pressure of 150 psi (1034 kPa) and hydrostatically tested at 300 psi (2069 kPa) with a Hatco Castone® lining.

The heater shall be complete with all internal plumbing, including ¾" NPT pipe and fittings for inlet and outlet. Controls shall be built-in, including contactors and prewired in accordance with UL #1453 and 422.11 NEL 2002. Proper surface mounting circuit

breaker or fused disconnect switch shall be provided by electrical contractor. Electric heating elements shall be metal sheathed, controlled by an ambient compensating immersion thermostat. The booster shall be protected with high-temperature limit switch (ECO) and low-water cut-off.

The heater shall consist of stainless steel front and silver-gray hammertone body with standard 6" (152 mm) legs (or stainless steel body, base, and stainless steel adjustable legs).

The heater shall include a temperature/pressure relief valve, high-temperature pressure reducing valve with bypass, and two indicating temperature/pressure gauges.

Warranty consists of 24/7 parts and service assistance (US and Canada only).

HATCO CORPORATION | P.O. Box 340500 Milwaukee, WI 53234-0500 U.S.A. | (800) 558-0607 | (414) 671-6350



[www.hatcocorp.com](http://www.hatcocorp.com) | [support@hatcocorp.com](mailto:support@hatcocorp.com) | [Find a Hatco Rep](#) | [Image Library](#) | [Document Library](#) | [Chat](#)