



Project \_\_\_\_\_

Item # \_\_\_\_\_

Quantity \_\_\_\_\_

# Glo-Ray® Rectangular Heated Stone\* Shelves

Portable models: GRSS-2418, -3018, -3618, -4818, -6018, -7218

Built-In models: GRSSB-2418, -3018, -3618, -4818, -6018, -7218

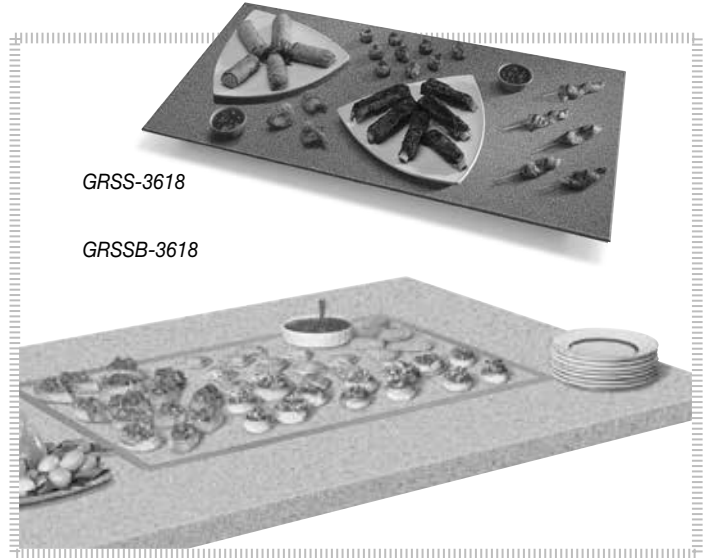
Hatco's Glo-Ray® Rectangular Heated Stone\* Shelves are made of foodsafe materials and come in three Decorative Stone colors. These unique warmers will safely hold food hot while blending in with your décor and are ideal for buffet lines or as hors d'oeuvre displays.

## Standard features

- Portable or Built-In models
- Constructed with approved food-safe materials
- Adjustable thermostatically-controlled heated base
- Blanket-type foil element creates uniform heat across the entire Swanstone® surface
- Built-In models are for use in metallic counters. For other surfaces, verify material is suitable for temperature up to 200°F (93°C)♦
- Built-in models include a control box with 3' (915 mm) conduit between the heated shelf and the control box and 6' (1829 mm) cord and plug
- Portable units come with a 6' (1829 mm) cord and plug
- Portable cord, plug and switch are located on side, center of base
- Portable GRSS-2418, -3018 and -3618 models come with rubber feet, while GRSS-4818, -6018 and -7218 models have 4" (102 mm) legs

\* Simulated Stone.

♦ Hatco is not responsible for counter damage caused by heat from the warmer.



GRSS-3618

GRSSB-3618

## Options (available at time of purchase only)

Rectangular Swanstone® Shelf - Night Sky is standard color (Non-standard colors are non-returnable)

Gray Granite  Bermuda Sand

1" (26 mm) adjustable legs in place of the rubber feet (GRSS-2418, -3018, -3618 models only)

### Built-Ins only

Designer Colors for Flush Mount Control Bezel Box - Stainless Steel is standard color (Non-standard colors are non-returnable)

Warm Red  Black  Gray Granite  White Granite  
 Navy Blue  Hunter Green  Antique Copper

Flush Mount ITC Electronic Control Box with Lighted Power Switch

Flush Mount Thermostatic Control Box with Lighted Power Switch

6' (1829 mm) conduit in lieu of standard 3' (914 mm) used with Flush Mount ITC Control Box)

10' (3048 mm) conduit in lieu of standard 3' (914 mm) used with Flush Mount ITC Control Box)

90° Conduit Connector on Main Unit (straight conduit connector is standard)

Recessed Top - Heated Stone surface is .5" (12mm) below surrounding surface



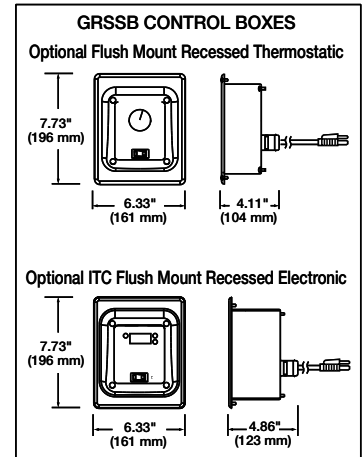
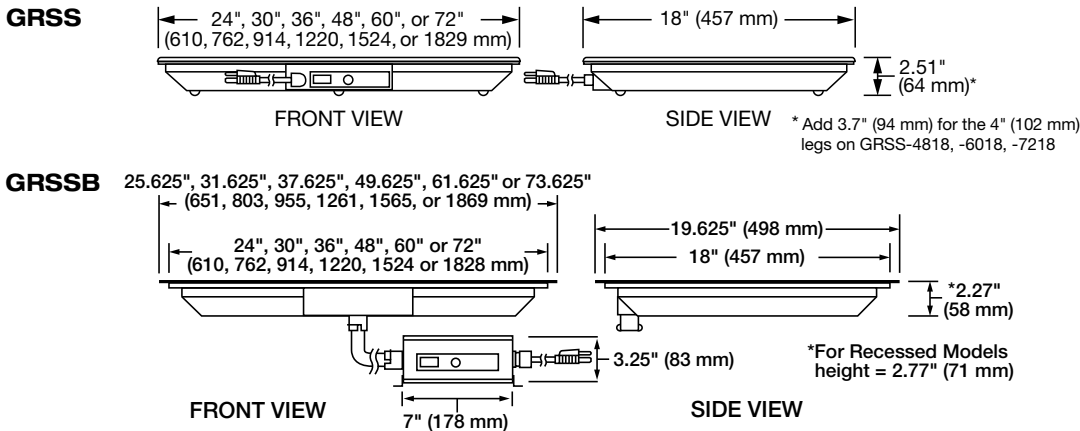
HATCO CORPORATION | P.O. Box 340500 Milwaukee, WI 53234-0500 U.S.A.

(800) 558-0607 | (414) 671-6350 | www.hatcocorp.com | equipsales@hatcocorp.com | intl@hatcocorp.com



# Glo-Ray® Rectangular Heated Stone\* Shelves

Models: GRSS-2418, -3018, -3618, -4818, -6018, -7218  
GRSSB-2418, -3018, -3618, -4818, -6018, -7218



## SPECIFICATIONS Portable and Built-In

The shaded areas contain electrical information for International models

Model	Dimensions (Width x Depth x Height)	Volts	Phase	Watts	Amps	Plug	Ship Weight
GRSS-2418	24" x 18" x 2.51" (610 x 457 x 64 mm)	120	Single	635	5.3	NEMA 5-15P	27 lbs. (13 kg)
GRSSB-2418*	25.625" x 19.625" x 2.27" (651 x 498 x 58 mm)	220-230 (CE)	Single	534-583	2.4-2.5	CEE 7/7 Schuko BS-1363	30 lbs. (14 kg)
		230-240 (CE)		583-635	2.5-2.6		
GRSS-3018	30" x 18" x 2.51" (762 x 457 x 64 mm)	120	Single	780	6.5	NEMA 5-15P	30 lbs. (14 kg)
GRSSB-3018*	31.625" x 19.625" x 2.27" (803 x 498 x 58 mm)	220-230 (CE)	Single	655-716	3.0-3.1	CEE 7/7 Schuko BS-1363	35 lbs. (16 kg)
		230-240 (CE)		716-780	3.1-3.3		
GRSS-3618	36" x 18" x 2.51" (914 x 457 x 64 mm)	120	Single	930	7.8	NEMA 5-15P	35 lbs. (16 kg)
GRSSB-3618*	37.625" x 19.625" x 2.27" (955 x 498 x 58 mm)	220-230 (CE)	Single	782-854	3.6-3.7	CEE 7/7 Schuko BS-1363	40 lbs. (19 kg)
		230-240 (CE)		854-930	3.7-3.9		
GRSS-4818*	48" x 18" x 6.2" (1220 x 457 x 158 mm)	120	Single	1270	10.6	NEMA 5-15P	45 lbs. (21 kg)
GRSSB-4818*	49.625" x 19.625" x 2.27" (1261 x 498 x 58 mm)	220-230 (CE)	Single	1068-1166	4.8-5.0	CEE 7/7 Schuko BS-1363	51 lbs. (24 kg)
		230-240 (CE)		1166-1270	5.0-5.2		
GRSS-6018*	60" x 18" x 6.2" (1524 x 457 x 158 mm)	120	Single	1560	13.0	NEMA 5-20P	56 lbs. (26 kg)
GRSSB-6018*	61.625" x 19.625" x 2.27" (1565 x 498 x 58 mm)	220-230 (CE)	Single	1310-1432	6.0-6.2	CEE 7/7 Schuko BS-1363	64 lbs. (29 kg)
		230-240 (CE)		1432-1560	6.2-6.6		
GRSS-7218*	72" x 18" x 6.2" (1828 x 457 x 158 mm)	120	Single	1860	15.6	NEMA 5-20P	68 lbs. (31 kg)
GRSSB-7218*	73.625" x 19.625" x 2.27" (1869 x 498 x 58 mm)	220-230 (CE)	Single	1564-1708	7.2-7.4	CEE 7/7 Schuko BS-1363	70 lbs. (32 kg)
		230-240 (CE)		1708-1860	7.4-7.8		

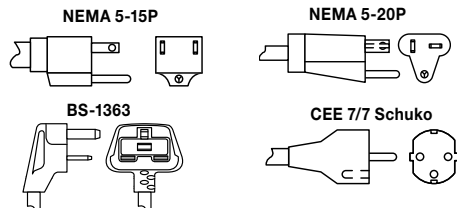
\* Width and depth includes trim rings. \* Height includes standard 4" (102 mm) legs.

## CORD LOCATION

GRSS: Center of side with switch  
GRSSB: End of remote enclosure

**Note for Built-In Heated Shelves with overhead Strip Heaters:** For any size GRSSB, select the next larger size GRA or GR2A strip heater. For example, for a GRSSB-3018 built-in heated shelf, select either a GRA-36 or GR2A-36. The GRA will have a tight fit to the frame of the base. The GR2A will have approximately a 4" (102 mm) space.

## PLUG CONFIGURATIONS



## GRSSB Built-In Countertop Cut-Out Dimensions

Model	Minimum Width	Max. Width	Minimum Depth	Max. Depth
GRSSB-2418	24.62" (625 mm)	24.87" (632 mm)	18.62" (473 mm)	18.87" (480 mm)
GRSSB-3018	30.62" (778 mm)	30.87" (784 mm)	18.62" (473 mm)	18.87" (480 mm)
GRSSB-3618	36.62" (930 mm)	36.87" (937 mm)	18.62" (473 mm)	18.87" (480 mm)
GRSSB-4818	48.62" (1235 mm)	48.87" (1241 mm)	18.62" (473 mm)	18.87" (480 mm)
GRSSB-6018	60.62" (1540 mm)	60.87" (1546 mm)	18.62" (473 mm)	18.87" (480 mm)
GRSSB-7218	72.62" (1845 mm)	72.87" (1851 mm)	18.62" (473 mm)	18.87" (480 mm)

## Optional Control Box Cut-Out Dimensions

Model	Width	Height	Depth
GRSSB-FLUSH-ITC, GRSSB-FLUSH-ITC	5.88" (149 mm)	6.375" (174 mm)	4.75" (121 mm)
GRSSB-FLUSH-TSTAT, GRSSB-FLUSH-TSTAT			4" (102 mm)

## PRODUCT SPECS

### Rectangular Heated Stone Shelves

The Rectangular Heated Stone Shelf shall be a Glo-Ray® Model ... as manufactured by the Hatco Corporation, Milwaukee, WI 53234 U.S.A.

The Rectangular Heated Stone Shelf shall be rated at ... watts, ... volts, and ... inches (millimeters) in overall width.

It shall consist of food-safe material, thermostatically-controlled heated base with Lighted Rocker Switch\*, and a 6' (1829 mm) cord with plug attached (GRSS models) or remote box with 3' (914 mm) conduit (GRSSB models only).

Warranty consists of 24/7 parts and service assistance (U.S. and Canada only).

HATCO CORPORATION | P.O. Box 340500 Milwaukee, WI 53234-0500 U.S.A.

(800) 558-0607 | (414) 671-6350 | www.hatcocorp.com | equipmentsales@hatcocorp.com | intl@hatcocorp.com