



Project _____
 Item # _____
 Quantity _____

Glo-Ray® Designer Horizontal Merchandising Display Warmers

Models: GR2SDH-24, -30, -36, -42, -48, -54, -60
 GR2SDH-24D, -30D, -36D, -42D, -48D, -54D, -60D

Hatco's Glo-Ray® Designer Horizontal Merchandising Display Warmers are designed specifically to hold hot wrapped or boxed product safely, and at proper serving temperatures while enhancing your setting with style and color. With pre-focused infrared top heat and a thermostatically-controlled hardcoated heated base, they excel at extending the holding times of most food, offering the convenience of self-serve and the efficiency of kitchen-to-server holding.

Standard features

- Models have pre-focused infrared top heat directing heat to the outer edges of the holding surface where heat loss is the greatest
- Thermostatically-controlled, hardcoated heated base has a temperature range of 185°- 200°F (85°- 93°C)
- Coated shatter-resistant incandescent lights enhance product display while safeguarding food products from bulb breakage
- NSF requires units over 36" (914 mm) in width or weighing more than 80 lbs. (36 kg) to be either sealed to the installation surface or raised with the 4" (102 mm) legs included
- Standard units shipped with: tempered glass side panels, a thermostatically controlled heated base, infrared upper heating elements, incandescent lights, product divider rods, 4" (102 mm) legs and a 6' (1829 mm) cord with plug



GR2SDH-30
 Horizontal single shelf in optional Designer White Granite and standard Black insets



GR2SDH-30D
 Horizontal dual shelf in standard Clear Anodized Aluminum and standard Black insets

Options (available at time of purchase only)

Designer Colors

Non-standard colors are non-returnable –

Clear Anodized Aluminum standard

- Warm Red Black Gray Granite White Granite
 Navy Blue Hunter Green Antique Copper

Designer Inset Panel Colors

Non-standard colors are non-returnable – Black standard –

- Warm Red Gray Granite White Granite
 Navy Blue Hunter Green Antique Copper

- Dark Gray Corner Caps – Non-standard colors are non-returnable – Black standard

- 5" (127 mm) Sneeze Guard

- Plexi-Glass Flip Up Doors (split-door on models G2SDH-48 and larger)

Front Glass in lieu of channel dividers and divider rods. Cannot have Sneeze Guards or Flip-up doors

- Single Shelf models Dual Shelf models

- 60 Watt Halogen Bulb in lieu of Standard Display Light (not available on export voltages)

- Indicating Temperature Control (LED) (adds 1 7/8" [48 mm] to unit depth)

Accessories

- Stainless Steel Rods

- Flip-up Control Cover

Chef LED (Bulbs must be rotated down)

120V: 2700K similar to warm incandescent

3000K similar to warm halogen

4000K similar to cool fluorescent

230V: 2700K similar to warm incandescent

3000K similar to warm halogen

4000K similar to cool fluorescent



IFS anti-microbial coatings use naturally-occurring, environmentally sustainable, silver ions to help inhibit the growth of microbes on the powder coated surface. See www.hatcocorp.com/antimicrobial-paint for more information.



For operation, location and safety information, please refer to the Installation and Operating Manual.



HATCO CORPORATION | P.O. Box 340500 Milwaukee, WI 53234-0500 U.S.A. | (800) 558-0607 | (414) 671-6350



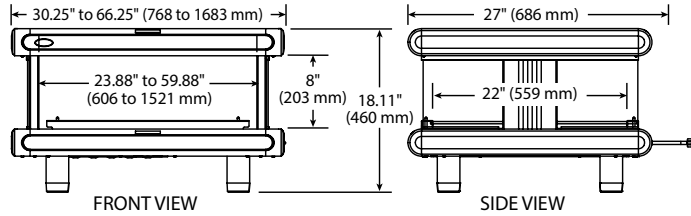
www.hatcocorp.com | support@hatcocorp.com | [Find a Hatco Rep](#) | [Image Library](#) | [Document Library](#) | [Chat](#)



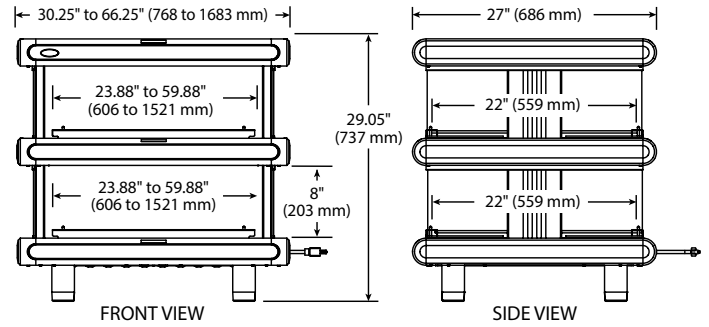
Glo-Ray® Designer Horizontal Merchandising Display Warmers

Models: GR2SDH-24, -30, -36, -42, -48, -54, -60
GR2SDH-24D, -30D, -36D, -42D, -48D, -54D, -60D

HORIZONTAL SINGLE SHELF



HORIZONTAL DUAL SHELF



SPECIFICATIONS

Single Shelf – Horizontal Merchandising Display Warmers

The shaded areas contain electrical information for International models

| Model | No. of Bulbs, Divider Rods | Dimensions (W x D x H) includes legs | Usable Heated Shelf Space (W x D) | Average Chute Width | Volts | Watts | Amps | Plug | Ship Weight* |
|-----------|----------------------------|--|-----------------------------------|---------------------|--------------|-----------|----------|-------------------------|------------------|
| GR2SDH-24 | 2, 5 | 30.25" x 27" x 18.11" (768 x 686 x 460 mm) | 23.87" x 22" (606 x 559 mm) | 3.73" (95 mm) | 120 | 820 | 6.8 | NEMA 5-15P | 87 lbs. (39 kg) |
| | | | | | 220 | 800 | 3.6 | CEE 7/7 Schuko, BS-1363 | |
| | | | | | 240 | 820 | 3.4 | BS-1363, AS 3112 | |
| | | | | | 220-230 (CE) | 800-875 | 3.6-3.8 | CEE 7/7 Schuko, BS-1363 | |
| | | | | | 230-240 (CE) | 753-820 | 3.3-3.4 | BS-1363 | |
| GR2SDH-30 | 2, 6 | 36.25" x 27" x 18.11" (921 x 686 x 460 mm) | 29.87" x 22" (759 x 559 mm) | 4.02" (102 mm) | 120 | 1020 | 8.5 | NEMA 5-15P | 120 lbs. (55 kg) |
| | | | | | 220 | 1000 | 4.5 | CEE 7/7 Schuko, BS-1363 | |
| | | | | | 240 | 1020 | 4.3 | BS-1363, AS 3112 | |
| | | | | | 220-230 (CE) | 1000-1093 | 4.5-4.8 | CEE 7/7 Schuko, BS-1363 | |
| | | | | | 230-240 (CE) | 937-1020 | 4.1-4.3 | BS-1363 | |
| GR2SDH-36 | 2, 7 | 42.25" x 27" x 18.11" (1073 x 686 x 460 mm) | 35.87" x 22" (911 x 559 mm) | 4.23" (107 mm) | 120 | 1220 | 10.2 | NEMA 5-15P | 129 lbs. (59 kg) |
| | | | | | 220 | 1200 | 5.5 | CEE 7/7 Schuko, BS-1363 | |
| | | | | | 240 | 1220 | 5.1 | BS-1363, AS 3112 | |
| | | | | | 220-230 (CE) | 1200-1312 | 5.5-5.7 | CEE 7/7 Schuko, BS-1363 | |
| | | | | | 230-240 (CE) | 1120-1220 | 4.9-5.1 | BS-1363 | |
| GR2SDH-42 | 4, 8 | 48.25" x 27" x 18.11" (1226 x 686 x 460 mm) | 41.87" x 22" (1064 x 559 mm) | 4.40" (111 mm) | 120 | 1490 | 12.4 | NEMA 5-15P [▲] | 138 lbs. (63 kg) |
| | | | | | 220 | 1450 | 6.6 | CEE 7/7 Schuko, BS-1363 | |
| | | | | | 240 | 1490 | 6.2 | BS-1363, AS 3112 | |
| | | | | | 220-230 (CE) | 1450-1585 | 6.6-6.9 | CEE 7/7 Schuko, BS-1363 | |
| | | | | | 230-240 (CE) | 1368-1490 | 6.0-6.2 | BS-1363 | |
| GR2SDH-48 | 4, 9 | 54.25" x 27" x 18.11" (1378 x 686 x 460 mm) | 47.87" x 22" (1216 x 559 mm) | 4.54" (115 mm) | 120 | 1690 | 14.1 | NEMA 5-15P [▲] | 160 lbs. (73 kg) |
| | | | | | 220 | 1650 | 7.5 | CEE 7/7 Schuko, BS-1363 | |
| | | | | | 240 | 1690 | 7.1 | BS-1363, AS 3112 | |
| | | | | | 220-230 (CE) | 1650-1804 | 7.5-7.8 | CEE 7/7 Schuko, BS-1363 | |
| | | | | | 230-240 (CE) | 1552-1690 | 6.8-7.1 | BS-1363 | |
| GR2SDH-54 | 4, 10 | 60.25" x 27" x 18.11" (1530 x 686 x 460 mm) | 53.87" x 22" (1368 x 559 mm) | 4.65" (118 mm) | 120 | 1890 | 15.8 | NEMA 5-20P | 172 lbs. (78 kg) |
| | | | | | 220 | 1850 | 8.4 | CEE 7/7 Schuko, BS-1363 | |
| | | | | | 240 | 1890 | 7.9 | BS-1363, AS 3112 | |
| | | | | | 220-230 (CE) | 1850-2022 | 8.4-8.8 | CEE 7/7 Schuko, BS-1363 | |
| | | | | | 230-240 (CE) | 1736-1890 | 7.6-7.9 | BS-1363 | |
| GR2SDH-60 | 6, 12 | 66.25" x 27" x 18.11" (1683 x 686 x 460 mm) | 59.87" x 22" (1521 x 559 mm) | 4.36" (110 mm) | 120 | 2210 | 18.4 | NEMA 5-30P | 200 lbs. (91 kg) |
| | | | | | 220 | 2150 | 9.8 | CEE 7/7 Schuko, BS-1363 | |
| | | | | | 240 | 2210 | 9.2 | BS-1363, AS 3112 | |
| | | | | | 220-230 (CE) | 2150-2350 | 9.8-10.2 | CEE 7/7 Schuko, BS-1363 | |
| | | | | | 230-240 (CE) | 2030-2210 | 8.8-9.2 | BS-1363 | |

* Shipping weight includes packaging.
▲ Canadian models use NEMA 5-20P.



Glo-Ray® Designer Horizontal Merchandising Display Warmers

Models: GR2SDH-24, -30, -36, -42, -48, -54, -60
GR2SDH-24D, -30D, -36D, -42D, -48D, -54D, -60D

SPECIFICATIONS

Dual Shelf — Horizontal Merchandising Display Warmers

The shaded areas contain electrical information for International models

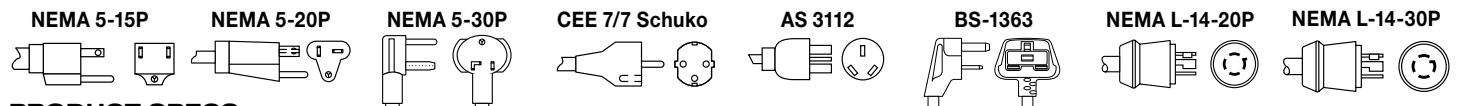
| Model | No. of Bulbs, Divider Rods | Dimensions (W x D x H) includes legs | Usable Heated Shelf Space (W x D) | Average Chute Width | Volts | Watts | Amps | Plug | Ship Weight* |
|------------|----------------------------|--|-----------------------------------|---------------------|--------------|-----------|-----------|-------------------------|-------------------|
| GR2SDH-24D | 4, 10 | 30.25" x 27" x 29.05" (768 x 686 x 737 mm) | 23.87" x 22" (606 x 559 mm) | 3.73" (95 mm) | 120 | 1640 | 13.7 | NEMA 5-15P [▲] | 126 lbs. (57 kg) |
| | | | | | 220 | 1600 | 7.3 | CEE 7/7 Schuko, BS-1363 | |
| | | | | | 240 | 1640 | 6.8 | BS-1363, AS 3112 | |
| | | | | | 220-230 (CE) | 1600-1749 | 7.3-7.6 | CEE 7/7 Schuko, BS-1363 | |
| | | | | | 230-240 (CE) | 1506-1640 | 6.6-6.8 | BS-1363 | |
| GR2SDH-30D | 4, 12 | 36.25" x 27" x 29.05" (921 x 686 x 737 mm) | 29.87" x 22" (759 x 559 mm) | 4.02" (102 mm) | 120/208 | 2040 | 8.5 | NEMA L14-20P | 158 lbs. (72 kg) |
| | | | | | 120/240 | 2040 | 8.5 | NEMA L14-20P | |
| | | | | | 220 | 2000 | 9.1 | CEE 7/7 Schuko, BS-1363 | |
| | | | | | 240 | 2040 | 8.5 | BS-1363, AS 3112 | |
| | | | | | 220-230 (CE) | 2000-2186 | 9.1-9.5 | CEE 7/7 Schuko, BS-1363 | |
| GR2SDH-36D | 4, 14 | 42.25" x 27" x 29.05" (1073 x 686 x 737 mm) | 35.87" x 22" (911 x 559 mm) | 4.23" (107 mm) | 120/208 | 2440 | 10.2 | NEMA L14-20P | 205 lbs. (93 kg) |
| | | | | | 120/240 | 2440 | 10.2 | NEMA L14-20P | |
| | | | | | 220 | 2400 | 10.9 | CEE 7/7 Schuko, BS-1363 | |
| | | | | | 240 | 2440 | 10.2 | BS-1363, AS 3112 | |
| | | | | | 220-230 (CE) | 2400-2623 | 10.9-11.4 | CEE 7/7 Schuko, BS-1363 | |
| GR2SDH-42D | 8, 16 | 48.25" x 27" x 29.05" (1226 x 686 x 737 mm) | 41.87" x 22" (1064 x 559 mm) | 4.40" (111 mm) | 120/208 | 2980 | 12.4 | NEMA L14-20P | 225 lbs. (102 kg) |
| | | | | | 120/240 | 2980 | 12.4 | NEMA L14-20P | |
| | | | | | 220 | 2900 | 13.2 | CEE 7/7 Schuko, No Plug | |
| | | | | | 240 | 2980 | 12.4 | BS-1363, AS 3112 | |
| | | | | | 220-230 (CE) | 2900-3170 | 13.2-13.8 | CEE 7/7 Schuko, No Plug | |
| GR2SDH-48D | 8, 18 | 54.25" x 27" x 29.05" (1378 x 686 x 737 mm) | 47.87" x 22" (1216 x 559 mm) | 4.54" (115 mm) | 120/208 | 3380 | 14.1 | NEMA L14-20P | 254 lbs. (115 kg) |
| | | | | | 120/240 | 3380 | 14.1 | NEMA L14-20P | |
| | | | | | 220 | 3300 | 15.0 | CEE 7/7 Schuko, No Plug | |
| | | | | | 240 | 3380 | 14.1 | AS 3112, No Plug | |
| | | | | | 220-230 (CE) | 3300-3607 | 15.0-15.7 | CEE 7/7 Schuko, No Plug | |
| GR2SDH-54D | 8, 20 | 60.25" x 27" x 29.05" (1530 x 686 x 737 mm) | 53.87" x 22" (1368 x 559 mm) | 4.65" (118 mm) | 120/208 | 3780 | 15.8 | NEMA L14-20P | 274 lbs. (124 kg) |
| | | | | | 120/240 | 3780 | 15.8 | NEMA L14-20P | |
| | | | | | 220 | 3700 | 16.8 | No Plug | |
| | | | | | 240 | 3780 | 15.8 | No Plug | |
| | | | | | 220-230 (CE) | 3700-4044 | 16.8-17.6 | No Plug | |
| GR2SDH-60D | 12, 24 | 66.25" x 27" x 29.05" (1683 x 686 x 737 mm) | 59.87" x 22" (1521 x 559 mm) | 4.36" (110 mm) | 120/208 | 4420 | 18.4 | NEMA L14-30P | 328 lbs. (149 kg) |
| | | | | | 120/240 | 4420 | 18.4 | NEMA L14-30P | |
| | | | | | 220 | 4300 | 19.6 | No Plug | |
| | | | | | 240 | 4420 | 18.4 | No Plug | |
| | | | | | 220-230 (CE) | 4300-4700 | 19.6-20.4 | No Plug | |
| | | | | | 230-240 (CE) | 4049-4420 | 17.6-18.4 | No Plug | |

* Shipping weight includes packaging. ▲ Canadian models use NEMA 5-20P.

CORD LOCATION

Back of unit, top right side.

PLUG CONFIGURATIONS



PRODUCT SPECS

Glo-Ray® Designer Horizontal Merchandising Warmers

The Designer Merchandising Warmer shall be a Glo-Ray® Model ... as manufactured by the Hatco Corporation, Milwaukee, WI 53234 U.S.A.

The warmer shall be rated at ... watts, ... volts, and be ... inches (millimeters) in overall width. It shall consist of a thermostatically-controlled hardcoated heated base, infrared heat from above, full view tempered glass sides, adjustable divider rods, Designer color inser panels and incandescent display lights. The infrared heating element shall

be tubular metal sheathed and the warmer shall have a 6' (1829 mm) cord with plug attached.

Accessories shall include control covers, Chef Led Bulbs and additional stainless steel dividers rods.

Warranty consists of 24/7 parts and service assistance (US and Canada only).

HATCO CORPORATION | P.O. Box 340500 Milwaukee, WI 53234-0500 U.S.A. | (800) 558-0607 | (414) 671-6350



www.hatcocorp.com | support@hatcocorp.com | [Find a Hatco Rep](#) | [Image Library](#) | [Document Library](#) | [Chat](#)