



Project _____

Item # _____

Quantity _____

Remote Cold Simulated Stone[▲] Shelves Built-In Flush Top

Models: CSSBFR-24-F, -24-I, -24-S, -36-F, -36-I, -36-S, -48-F, -48-I, -48-S

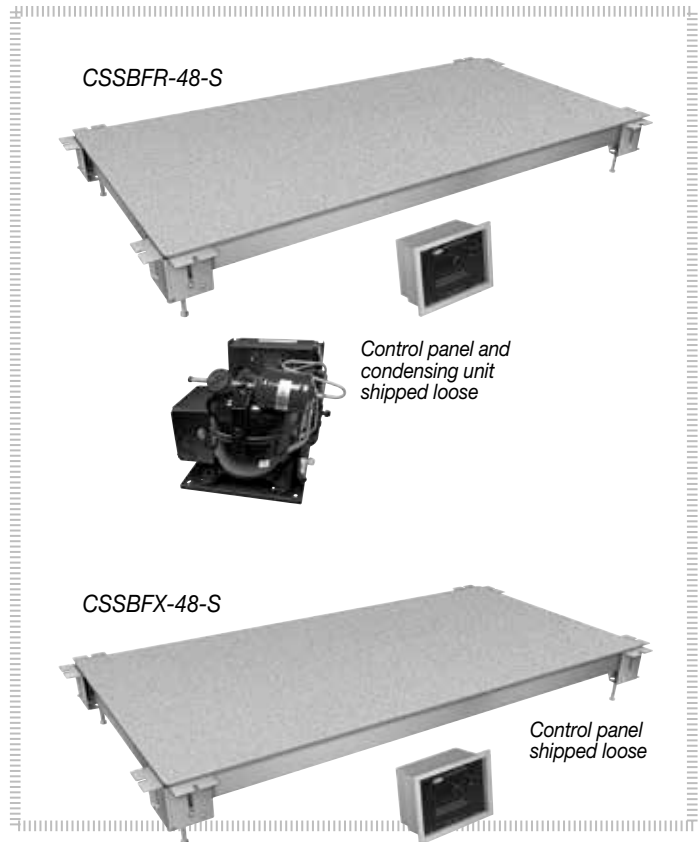
CSSBFX-24-F, -24-I, -24-S, -36-F, -36-I, -36-S, -48-F, -48-I, -48-S

Hatco's Remote Cold Simulated Stone[▲] Shelves Built-In Flush Top with a control panel, and with or without an unattached condenser, are designed to keep your products in the perfect chill zone.

These models have the added benefit of offering design flexibility for fabricators.

Standard features

- R-513A refrigerant available for California only, please contact Hatco for more information
- CSSBFR models have a remote, unattached condenser, while CSSBFX models have no condenser
- All units have an unattached control panel
- Patented thermal break reduces condensation and temperature transfer
- Both models are bottom mount units
- The CSSBFR and CSSBFX Cold Built-In Flush Top Shelves match the GRSSB Heated Built-In Shelves for a fully integrated look
- Models shipped with a shelf assembly with a temperature probe, a TXV valve (assembled), a control panel shipped loose, a condensing unit shipped loose (CSSBFR model only) and a liquid line solenoid valve attached to the shelf (CSSBFX models only)
- CSSBFR condensers utilize R-404A refrigerant – while CSSBFX models allow shelves to be cooled with other refrigerants
- All models are not available with CE Mark
- Models with simulated stone are Swanstone[®]



Options (available at time of purchase only)

Simulated Stone[▲] base color – Non-standard colors are non-returnable

- Gray Granite
- Bermuda Sand
- Night Sky (standard)

[▲] Models with simulated stone are Swanstone[®]

For operation, location and safety information, please refer to the Installation & Operating Manual.



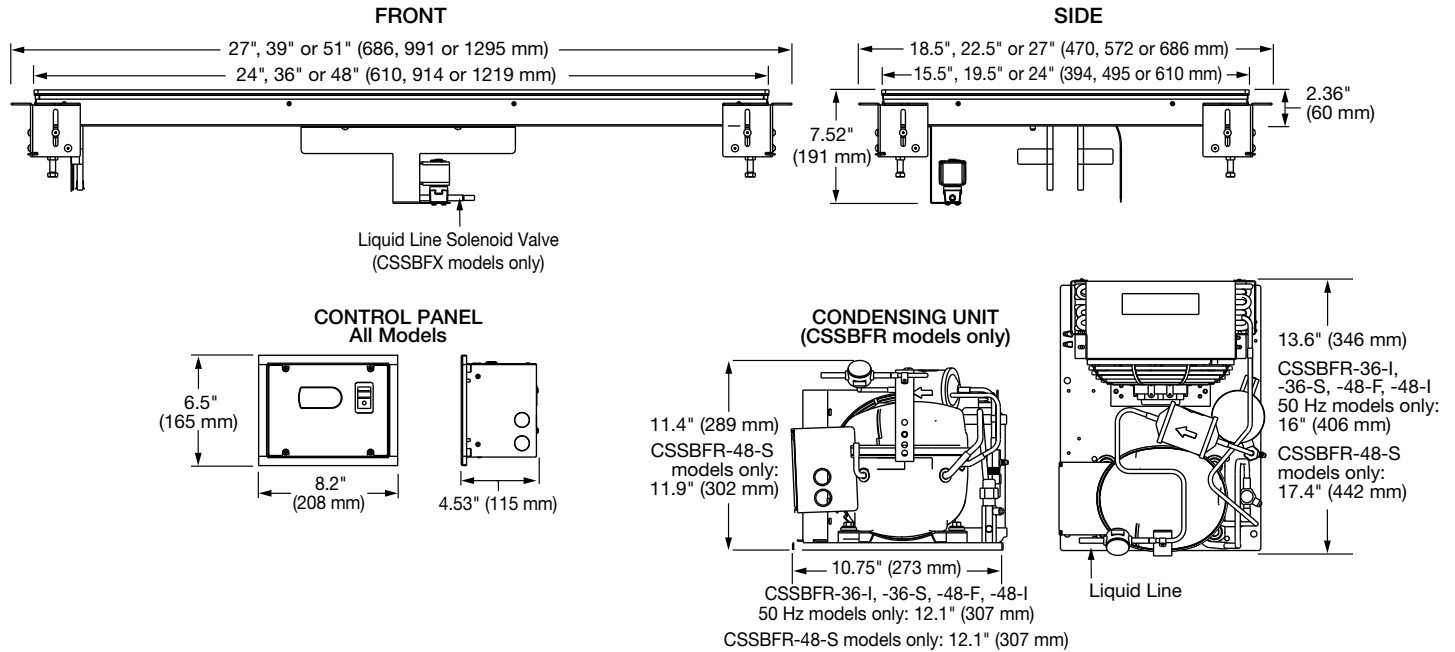


Remote Cold Simulated Stone[▲] Shelves Built-In Flush Top

Models: CSSBFR-24-F, -24-I, -24-S, -36-F, -36-I, -36-S, -48-F, -48-I, -48-S

CSSBFX-24-F, -24-I, -24-S, -36-F, -36-I, -36-S, -48-F, -48-I, -48-S

CSSBFR, CSSBFX



Contact Hatco for R-513A refrigerant specifications.

SPECIFICATIONS

Remote Cold Simulated Stone[▲] Shelves Built-In Flush Top with unattached Condenser and Control Panel*

The shaded areas contain electrical information for International models

Model	Overall Dimension W x D x H	Usable Shelf Space W x D of cooled surface	Compressor Size HP	Volts*	Watts	Amps	Hz	Approximate Ship Weight
CSSBFR-24-F	27" x 18.5" x 7.52" (686 x 470 x 191 mm)	24" x 15.5" (610 x 394 mm)	1/4	120	804	6.7	60	119 lbs. (54 kg)
				1/3	220	616	2.8	
			230		667	2.9		
			240		744	3.1	60	
			220		686	3.1		
			230	749	3.3			
240	816	3.4						
CSSBFR-24-I	27" x 22.5" x 7.52" (686 x 572 x 191 mm)	24" x 19.5" (610 x 495 mm)	1/4	120	804	6.7	60	124 lbs. (57 kg)
				1/3	220	616	2.8	
			230		667	2.9		
			240		744	3.1	60	
			220		686	3.1		
			230	749	3.3			
240	816	3.4						
CSSBFR-24-S	27" x 27" x 7.52" (686 x 686 x 191 mm)	24" x 24" (610 x 610 mm)	1/4	120	804	6.7	60	138 lbs. (63 kg)
				1/3	220	616	2.8	
			230		667	2.9		
			240		744	3.1	60	
			220		686	3.1		
			230	749	3.3			
240	816	3.4						

▲ Models with simulated stone are Swanstone[®].
 * All voltages are non-CE.
 * Contact Hatco for R-513A refrigerant specifications.



Remote Cold Simulated Stone[▲] Shelves Built-In Flush Top

Models: CSSBFR-24-F, -24-I, -24-S, -36-F, -36-I, -36-S, -48-F, -48-I, -48-S
 CSSBFX-24-F, -24-I, -24-S, -36-F, -36-I, -36-S, -48-F, -48-I, -48-S

SPECIFICATIONS

Remote Cold Simulated Stone[▲] Shelves Built-In Flush Top
 with unattached Condenser and Control Panel*

(continued from previous page)

The shaded areas contain electrical information for International models

Model	Overall Dimension W x D x H	Usable Shelf Space W x D of cooled surface	Compressor Size HP	Volts*	Watts	Amps	Hz	Approximate Ship Weight
CSSBFR-36-F	39" x 18.5" x 7.52" (991 x 470 x 191 mm)	36" x 15.5" (914 x 394 mm)	1/4	120	804	6.7	60	135 lb. (62 kg)
			1/3	220	616	2.8	50	
				230	667	2.9		
				240	744	3.1		
			1/3	220	686	3.1	60	
				230	749	3.3		
240	816	3.4						
CSSBFR-36-I	39" x 22.5" x 7.52" (991 x 572 x 191 mm)	36" x 19.5" (914 x 495 mm)	1/3	120	468	8.7	60	147 lbs. (67 kg)
			3/8	220	807	3.7	50	
				230	882	3.8		
				240	960	4.0		
			1/3	220	686	3.1	60	
				230	749	3.3		
240	816	3.4						
CSSBFR-36-S	39" x 27" x 7.52" (991 x 686 x 191 mm)	36" x 24" (914 x 610 mm)	1/3	120	468	8.7	60	159 lbs. (73 kg)
			3/8	220	807	3.7	50	
				230	882	3.8		
				240	960	4.0		
			1/3	220	686	3.1	60	
				230	749	3.3		
240	816	3.4						
CSSBFR-48-F	51" x 18.5" x 7.52" (1295 x 470 x 191 mm)	48" x 15.5" (1219 x 394 mm)	1/3	120	468	8.7	60	136 lbs. (62 kg)
			3/8	220	807	3.7	50	
				230	882	3.8		
				240	960	4.0		
			1/3	220	686	3.1	60	
				230	749	3.3		
240	816	3.4						
CSSBFR-48-I	51" x 22.5" x 7.52" (1295 x 572 x 191 mm)	48" x 19.5" (1219 x 495 mm)	1/3	120	468	8.7	60	165 lbs. (75 kg)
			3/8	220	807	3.7	50	
				230	882	3.8		
				240	960	4.0		
			1/3	220	686	3.1	60	
				230	749	3.3		
240	816	3.4						
CSSBFR-48-S	51" x 27" x 7.52" (1295 x 686 x 191 mm)	48" x 24" (1219 x 610 mm)	1/2	120	1380	11.5	60	187 lbs. (85 kg)
			1/2	220	1190	5.4	50	
				230	1300	5.7		
				240	1416	5.9		
			1/2	220	1210	5.5	60	
				230	1322	5.8		
240	1440	6.0						

▲ Models with simulated stone are Swanstone®.
 * All voltages are non-CE.
 * Contact Hatco for R-513A refrigerant specifications.



Remote Cold Simulated Stone[▲] Shelves Built-In Flush Top

Models: CSSBFR-24-F, -24-I, -24-S, -36-F, -36-I, -36-S, -48-F, -48-I, -48-S
 CSSBFX-24-F, -24-I, -24-S, -36-F, -36-I, -36-S, -48-F, -48-I, -48-S

SPECIFICATIONS

Cold Simulated Stone[▲] Shelves Built-In Flush Top
 with Control Panel only*

The shaded areas contain electrical
 information for International models

Model	Overall Dimension W x D x H	Usable Shelf Space W x D of cooled surface	Volts*	Rated Watts	Amps	Hz	Approximate Ship Weight
CSSBFX-24-F	27" x 18.5" x 7.52" (686 x 470 x 191 mm)	24" x 15.5" (610 x 394 mm)	120	12	0.1	60	69 lbs. (32 kg)
			220, 230, 240	17	0.1	50	
			220, 230, 240	12	0.1	60	
CSSBFX-24-I	27" x 22.5" x 7.52" (686 x 572 x 191 mm)	24" x 19.5" (610 x 495 mm)	120	12	0.1	60	79 lbs. (36 kg)
			220, 230, 240	17	0.1	50	
			220, 230, 240	12	0.1	60	
CSSBFX-24-S	27" x 27" x 7.52" (686 x 686 x 191 mm)	24" x 24" (610 x 610 mm)	120	12	0.1	60	89 lbs. (41 kg)
			220, 230, 240	17	0.1	50	
			220, 230, 240	12	0.1	60	
CSSBFX-36-F	39" x 18.5" x 7.52" (991 x 470 x 191 mm)	36" x 15.5" (914 x 394 mm)	120	12	0.1	60	98 lbs. (45 kg)
			220, 230, 240	17	0.1	50	
			220, 230, 240	12	0.1	60	
CSSBFX-36-I	39" x 22.5" x 7.52" (991 x 572 x 191 mm)	36" x 19.5" (914 x 495 mm)	120	12	0.1	60	110 lbs. (50 kg)
			220, 230, 240	17	0.1	50	
			220, 230, 240	12	0.1	60	
CSSBFX-36-S	39" x 27" x 7.52" (991 x 686 x 191 mm)	36" x 24" (914 x 610 mm)	120	12	0.1	60	122 lbs. (56 kg)
			220, 230, 240	17	0.1	50	
			220, 230, 240	12	0.1	60	
CSSBFX-48-F	51" x 18.5" x 7.52" (1295 x 470 x 191 mm)	48" x 15.5" (1219 x 394 mm)	120	12	0.1	60	99 lbs. (45 kg)
			220, 230, 240	17	0.1	50	
			220, 230, 240	12	0.1	60	
CSSBFX-48-I	51" x 22.5" x 7.52" (1295 x 572 x 191 mm)	48" x 19.5" (1219 x 495 mm)	120	12	0.1	60	128 lbs. (56 kg)
			220, 230, 240	17	0.1	50	
			220, 230, 240	12	0.1	60	
CSSBFX-48-S	51" x 27" x 7.52" (1295 x 686 x 191 mm)	48" x 24" (1219 x 610 mm)	120	12	0.1	60	140 lbs. (64 kg)
			220, 230, 240	17	0.1	50	
			220, 230, 240	12	0.1	60	

▲ Models with simulated stone are Swanstone[®].
 * All voltages are non-CE.
 * Contact Hatco for R-513A refrigerant specifications.

CUTOUT DIMENSIONS

Refer to the Installation and Operating Manual for more information.

COUNTERTOP

Model	Width		Depth	
	with 0.375" (10 mm) radii		with 0.375" (10 mm) radii	
CSSBFR-24-F, CSSBFX-24-F	24.375"	(619 mm)	15.875"	(403 mm)
CSSBFR-24-I, CSSBFX-24-I	24.375"	(619 mm)	19.875"	(505 mm)
CSSBFR-24-S, CSSBFX-24-S	24.375"	(619 mm)	24.375"	(619 mm)
CSSBFR-36-F, CSSBFX-36-F	36.375"	(924 mm)	15.875"	(403 mm)
CSSBFR-36-I, CSSBFX-36-I	36.375"	(924 mm)	19.875"	(505 mm)
CSSBFR-36-S, CSSBFX-36-S	36.375"	(924 mm)	24.375"	(619 mm)
CSSBFR-48-F, CSSBFX-48-F	48.375"	(1229 mm)	15.875"	(403 mm)
CSSBFR-48-I, CSSBFX-48-I	48.375"	(1229 mm)	19.875"	(505 mm)
CSSBFR-48-S, CSSBFX-48-S	48.375"	(1229 mm)	24.375"	(619 mm)

CONTROL BOX

	Width	Height
Cut out for surface mount control	7.44" (189 mm)	5.625" (143 mm)

PRODUCT SPECS

Remote Cold Simulated Stone[▲] Shelves Built-In Flush Top

The Remote Cold Simulated Stone Shelves Built-In Flush Top, patent pending, shall be model ... as manufactured by the Hatco Corporation, Milwaukee, WI 53234 U.S.A. The Remote Cold Simulated Stone Shelves Built-In Flush Top model shall be rated at ... watts, ... volts, and ... inches (millimeters) in overall width. It shall utilize R-404A or R-513A refrigerant and consist of foodsafe simulated stone

material surface shelf assembly with a temperature probe, an unattached TXV valve, an unattached control panel, an unattached condenser (CSSBFR models only) and a solenoid valve attached to shelf (CSSBFX models only).

Warranty consists of 24/7 parts and service assistance (U.S. and Canada only).

▲ Models with simulated stone are Swanstone[®]

HATCO CORPORATION
 (800) 558-0607 | (414) 671-6350

P.O. Box 340500 Milwaukee, WI 53234-0500 U.S.A.
 www.hatcocorp.com | support@hatcocorp.com