



Project \_\_\_\_\_

Item # \_\_\_\_\_

Quantity \_\_\_\_\_

# Remote Cold Simulated Stone<sup>▲</sup> Shelves Built-In

Models: CSSBR-2418, -3018, -3618, -4818  
CSSBX-2418, -3018, -3618, -4818

Hatco's new Remote Cold Simulated Stone<sup>▲</sup> Shelves with an unattached control panel, and with or without an unattached condenser, are a must for buffet lines in cafeterias, restaurants and much more!

These sturdy, foodsafe shelves are available in three attractive Swanstone<sup>®</sup> colors and have the added benefit of offering design flexibility for fabricators.

## Standard features

- R-513A refrigerant available for California only, please contact Hatco for more information
- CSSBR models have a remote, unattached condenser, while CSSBX models have no condenser
- All units have an unattached control panel
- Both models are bottom mount units, flush to the countertop
- Patented thermal break reduces condensation and temperature transfer
- CSSBR models have easy serviceability with a sight glass, service valves, dryer/filter and a receiver
- The CSSBR and CSSBX models match the GRSSB Heated Simulated Stone<sup>▲</sup> Built-In Shelves for a fully integrated look
- CSSBR condensers utilize R-404A refrigerant - while CSSBX models allow shelves to be cooled with other refrigerants
- All models are not available with CE Mark
- Models with simulated stone are Swanstone<sup>®</sup>



CSSBR-4818

Control panel and condensing unit shipped loose



CSSBX-4818

Control panel shipped loose

## Options (available at time of purchase only)

Simulated Stone<sup>▲</sup> base color – Non-standard colors are non-returnable  
 Gray Granite    Bermuda Sand    Night Sky (standard)

▲ Models with simulated stone are Swanstone<sup>®</sup>

**For operation, location and safety information, please refer to the Installation & Operating Manual.**

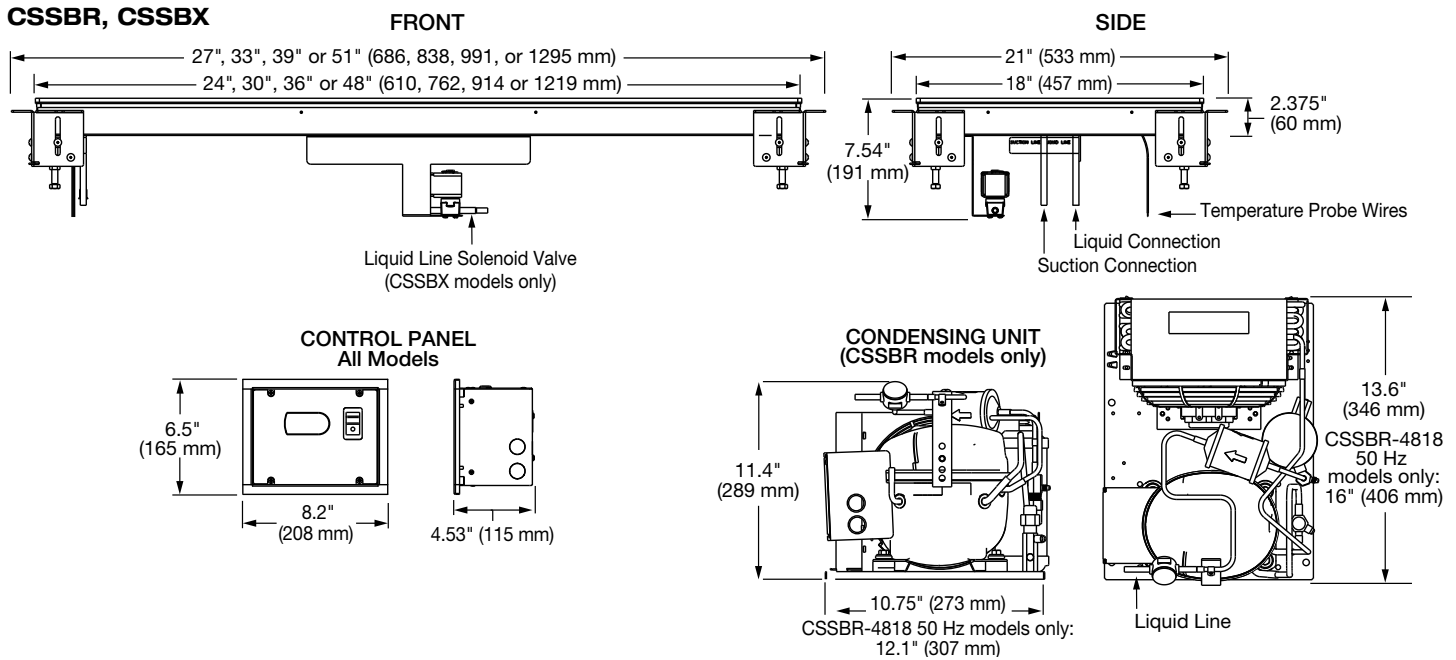




# Remote Cold Simulated Stone<sup>▲</sup> Shelves Built-In

Models: CSSBR-2418, -3018, -3618, -4818

CSSBX-2418, -3018, -3618, -4818



Contact Hatco for R-513A refrigerant specifications.

## SPECIFICATIONS

Remote Cold Simulated Stone<sup>▲</sup> Shelves Built-In (flush to countertop) with unattached Condenser and Control Panel\*

The shaded areas contain electrical information for International models

Model	Overall Dimension W x D x H	Usable Shelf Space (W x D of cooled surface)	Compressor Size (HP)	Volts*	Watts	Amps	Hz	Approximate Ship Weight
CSSBR-2418	27" x 21" x 7.54" (686 x 533 x 191 mm)	24" x 18" (610 x 457 mm)	1/4	120	804	6.7	60	112 lbs. (51 kg)
			1/3	220	616	2.8	50	
				230	667	2.9		
				240	744	3.1		
			1/3	220	686	3.1	60	
				230	749	3.3		
240	816	3.4						
CSSBR-3018	33" x 21" x 7.54" (838 x 533 x 191 mm)	30" x 18" (762 x 457 mm)	1/4	120	804	6.7	60	124 lbs. (57 kg)
			1/3	220	616	2.8	50	
				230	667	2.9		
				240	744	3.1		
			1/3	220	686	3.1	60	
				230	749	3.3		
240	816	3.4						
CSSBR-3618	39" x 21" x 7.54" (991 x 533 x 191 mm)	36" x 18" (914 x 457 mm)	1/4	120	804	6.7	60	137 lbs. (63 kg)
			1/3	220	616	2.8	50	
				230	667	2.9		
				240	744	3.1		
			1/3	220	686	3.1	60	
				230	749	3.3		
240	816	3.4						
CSSBR-4818	51" x 21" x 7.54" (1295 x 533 x 191 mm)	48" x 18" (1219 x 457 mm)	1/3	120	468	6.5	60	163 lbs. (74 kg)
			3/8	220	807	3.7	50	
				230	882	3.8		
				240	960	4.0		
			1/3	220	686	3.1	60	
				230	749	3.3		
240	816	3.4						

▲ Models with simulated stone are Swanstone®.

\* All voltages are non-CE.

\* Contact Hatco for R-513A refrigerant specifications.

**HATCO CORPORATION** | P.O. Box 340500 Milwaukee, WI 53234-0500 U.S.A.  
(800) 558-0607 | (414) 671-6350 | www.hatcocorp.com | support@hatcocorp.com



# Remote Cold Simulated Stone<sup>^</sup> Shelves Built-In

Models: CSSBR-2418, -3018, -3618, -4818

CSSBX-2418, -3018, -3618, -4818

## SPECIFICATIONS

Remote Cold Simulated Stone<sup>^</sup> Shelves Built-In (flush to countertop) with unattached Control Panel only (no Condenser)\*

The shaded areas contain electrical information for International models

Model	Overall Dimension W x D x H	Usable Space (W x D of cooled surface)	Volts*	Watts	Amps	Hz	Approximate Ship Weight
CSSBX-2418	27" x 21" x 7.54" (686 x 533 x 191 mm)	24" x 18" (610 x 457 mm)	120	12	0.1	60	75 lbs. (35 kg)
			220, 230, 240	17	0.1	50	
			220, 230, 240	12	0.1	60	
CSSBX-3018	33" x 21" x 7.54" (838 x 533 x 191 mm)	30" x 18" (762 x 457 mm)	120	12	0.1	60	87 lbs. (40 kg)
			220, 230, 240	17	0.1	50	
			220, 230, 240	12	0.1	60	
CSSBX-3618	39" x 21" x 7.54" (991 x 533 x 191 mm)	36" x 18" (914 x 457 mm)	120	12	0.1	60	100 lbs. (46 kg)
			220, 230, 240	17	0.1	50	
			220, 230, 240	12	0.1	60	
CSSBX-4818	51" x 21" x 7.54" (1295 x 533 x 191 mm)	48" x 18" (1219 x 457 mm)	120	12	0.1	60	116 lbs. (53 kg)
			220, 230, 240	17	0.1	50	
			220, 230, 240	12	0.1	60	

- ▲ Models with simulated stone are Swanstone<sup>®</sup>.
- \* All voltages are non-CE.
- \* Contact Hatco for R-513A refrigerant specifications.

## CUTOUT DIMENSIONS

Refer to the Installation and Operating Manual for more information.

### COUNTERTOP

Model	Width	Depth
	with .375" (10 mm) radii	with .375" (10 mm) radii
CSSBR-2418	24.375"	18.375"
CSSBX-2418	(619 mm)	(467 mm)
CSSBR-3018	30.375"	18.375"
CSSBX-3018	(772 mm)	(467 mm)
CSSBR-3618	36.375"	18.375"
CSSBX-3618	(924 mm)	(467 mm)
CSSBR-4818	48.375"	18.375"
CSSBX-4818	(1229 mm)	(467 mm)

### CONTROL BOX

	Width	Height
Cut out for surface mount control	7.44" (189 mm)	5.625" (143 mm)

## PRODUCT SPECS

### Remote Cold Simulated Stone<sup>^</sup> Shelves Built-In

The Remote Cold Simulated Stone Shelves Built-In, patent pending, shall be model ... as manufactured by the Hatco Corporation, Milwaukee, WI 53234 U.S.A.

The Remote Cold Simulated Stone Shelves Built-In model shall be rated at ... watts, ... volts, and ... inches (millimeters) in overall width.

It shall utilize R-404A or R-513A refrigerant and consist of foodsafe simulated stone

material surface shelf assembly with a temperature probe, an unattached TXV valve, an unattached control panel, an unattached condenser (CSSBR models only) and a solenoid valve attached to shelf (CSSBX models only).

Warranty consists of 24/7 parts and service assistance (U.S. and Canada only).

▲ Models with simulated stone are Swanstone<sup>®</sup>

**HATCO CORPORATION** | P.O. Box 340500 Milwaukee, WI 53234-0500 U.S.A.  
 (800) 558-0607 | (414) 671-6350 | www.hatcocorp.com | support@hatcocorp.com