



Glo-Ray® Designer Dual Infrared Aluminium Strip Heaters with Lights

Models:

- GR2AL -18D, -24D, -30D, -36D, -42D, -48D, -54D, -60D, -66D, -72D, -84D
- GR2AHL-18D, -24D, -30D, -36D, -42D, -48D, -54D, -60D, -66D, -72D, -84D

Glo-Ray® Designer Aluminum Dual Infrared Strip Heaters allow side-by-side mounting of two warmers to provide a deeper holding area, keeping hot food at optimum serving temperatures. The lights illuminate and complement food perfectly. These modern front-of-the-house warmers have 3" spacers Standard with optional 6" spacers. Units are available in Designer colors to match most décors.

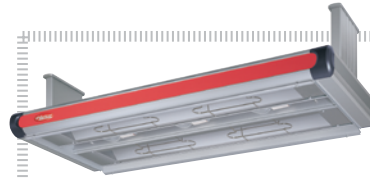
Standard features

- Pre-focused heat maintains safe serving temperatures longer without continuing to cook the food
- Sturdy continuous aluminum housings eliminate sagging
- Widths from 21.5" to 87.5" (546 X 2223 mm)
- 14" (356 mm) Designer non-adjustable Stands Standard
- Available in a variety of models, configurations, colors and accessories to provide unlimited flexibility
- Designer colors and inset panels allow the unit to match surrounding décor
- Black corner caps and inset panels standard
- Standard coated shatter-resistant incandescent or optional halogen lights enhance product displays while safeguarding food from bulb breakage
- Optional sneeze guards
- Remote control installation is required - must chose RMB
- Additional reflector styles and lower wattage elements available, consult factory for more information

Project _____

Item # _____

Quantity _____



GR2AHL-36D with optional overhead mounts and optional Designer color Inset Panels (black Corner Caps Standard)

GR2AL-48D with Standard Designer non-adjustable stands and optional Designer color Inset Panels (black Corner Caps Standard)



Options (available at time of purchase only)

Housing

- 15" (381 mm) 18" (457 mm)
- Designer Color for Housing – Aluminum finish Standard [☛]
- Warm Red Black Gray Granite White Granite
- Navy Blue Hunter Green Antique Copper

Inset Panel Designer Color – Black Standard [☛]

- Warm Red Black Gray Granite White Granite
- Navy Blue Hunter Green Antique Copper

Dark Gray Corner Caps – Black Standard [☛]

No Control – requires selection of RMB2-xx control

Remote Box in Designer Color – Aluminum finish Standard [☛]

- Warm Red Black Gray Granite White Granite
- Navy Blue Hunter Green Antique Copper

Sneeze Guards

- 7.5" (191 mm) – One Side 7.5" (191 mm) – Two Sides
- 14" (356 mm) – One Side 14" (356 mm) – Two Sides

Designer Non-Adjustable Stands – 14" (356 mm) Designer Stand Standard

- 10" (254 mm) 12" (305 mm) 16" (406 mm)
- Designer Color – Aluminum finish Standard [☛]
- Warm Red Black Gray Granite White Granite
- Navy Blue Hunter Green Antique Copper

Overhead Mounts 4" (102 mm) in lieu of Standard 14" (356 mm) Designer Stands

Designer Color – Aluminum finish Standard [☛]

- Warm Red Black Gray Granite White Granite
- Navy Blue Hunter Green Antique Copper

60 Watt Halogen Bulb in lieu of standard Display Light

No Bulbs

Extra Lamps – Installed (max. two per ft. less one – one per ft. is standard)

Extended Power (Electrical) Leads

- 1'-5" (305-1525 mm) 6'-10" (1829-3048 mm)
- 11'-15" (3352-4572 mm) 16'-20" (4877-6096 mm)

Accessories

Chef LED adjustable bulb - bulbs must be rotated down

- 120V: 3000K Similar to warm halogen 4000K Similar to cool fluorescent
- 230V: 3000K Similar to warm halogen 4000K Similar to cool fluorescent

☛ Non-standard color are non-returnable

[☛] IFS anti-microbial coatings use naturally-occurring, environmentally sustainable, silver ions to help inhibit the growth of microbes on the powder coated surface. See www.hatcocorp.com/antimicrobial-paint for more information.

For operation, location and safety information, please refer to the Installation and Operating Manual.



HATCO CORPORATION | P.O. Box 340500 Milwaukee, WI 53234-0500 U.S.A. | (414) 671-6350



www.hatcocorp.com | support@hatcocorp.com | [Find a Hatco Rep](#) | [Image Library](#) | [Document Library](#) | [Patents](#) | [Chat](#)

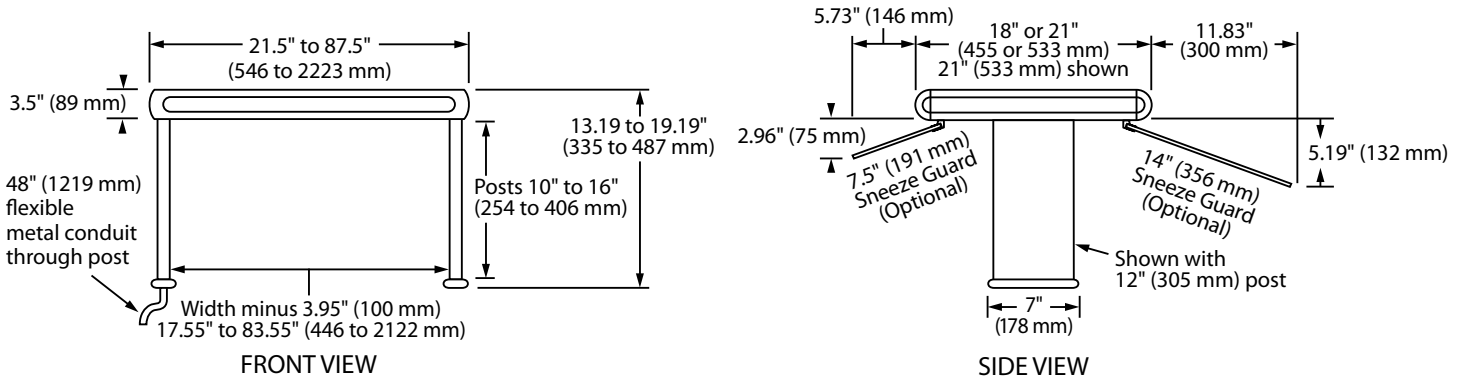


Glo-Ray® Infrared Designer Dual Aluminum Strip Heaters with Lights

Models: GR2AL -18D, -24D, -30D, -36D, -42D, -48D, -54D, -60D, -66D, -72D, -84D

GR2AHL-18D, -24D, -30D, -36D, -42D, -48D, -54D, -60D, -66D, -72D, -84D

GR2AL-D and GR2AHL-D



SPECIFICATIONS Glo-Ray® Infrared Designer Aluminum Strip Heaters with Lights

Dimensions (without Non-Adjustable Stands)
 21.5" - 87.5" W x 18.0"-21.0" D x 3.5" H (546 - 2223 x 455-533 mm x 89 mm)

The shaded areas contain electrical information for International models

Standard Watt					High Watt					Both Models
Model	Volts single phase	Watt	Amps	Approx. Ship Weight [▲]	Model	Volts single phase	Watt	Amps	Approx. Ship Weight [▲]	Width
GR2AL-18D	120	620	5.2	28 lbs. (13 kg)	GR2AHL-18D	120	820	6.8	28 lbs. (13 kg)	21.5" (546 mm)
	120/208		3.4			4.4				
	120/240		3.1			3.9				
	220-230 (CE) [‡]	600-656	2.7-2.9			801-876	3.6-3.8			
	230-240 (CE) [‡]	569-620	2.5-2.6			752-820	3.3-3.4			
GR2AL-24D	120	820	6.8	32 lbs. (15 kg.)	GR2AHL-24D	120	1120	9.3	32 lbs. (15 kg.)	27.5" (699 mm)
	120/208		4.4			5.8				
	120/240		3.9			5.2				
	220-230 (CE) [‡]	801-876	3.6-3.8			1101-1204	5.0-5.2			
	230-240 (CE) [‡]	752-820	3.3-3.4			1028-1120	4.5-4.7			
GR2AL-30D	120	1020	8.5	35 lbs. (16 kg.)	GR2AHL-30D	120	1440	12.0	35 lbs. (16 kg.)	33.5" (851 mm)
	208		5.3			7.3				
	240		4.8			6.5				
	220-230 (CE) [‡]	1001-1094	4.6-4.8			1421-1552	6.5-6.7			
	230-240 (CE) [‡]	936-1020	4.1-4.3			1322-1440	5.7-6.0			
GR2AL-36D	120	1330	11.1	40 lbs. (19 kg.)	GR2AHL-36D	120	1780	14.8	40 lbs. (19 kg.)	39.5" (1003 mm)
	120/208		7.0			9.2				
	120/240		6.3			8.2				
	220-230 (CE) [‡]	1301-1423	5.9-6.2			1751-1913	8.0-8.3			
	230-240 (CE) [‡]	1221-1330	5.3-5.5			1635-1780	7.1-7.4			
GR2AL-42D	120	1530	12.8	46 lbs. (21 kg.)	GR2AHL-42D	120 [◆]	2080	17.3	46 lbs. (21 kg.)	45.5" (1156 mm)
	120/208		8.0			10.6				
	120/240		7.1			9.4				
	220-230 (CE) [‡]	1501-1641	6.8-7.1			2051-2241	9.3-9.7			
	230-240 (CE) [‡]	1405-1530	6.1-6.4			1911-2080	8.3-8.7			
GR2AL-48D	120	1840	15.3	47 lbs. (22 kg.)	GR2AHL-48D	120 [◆]	2440	20.3	47 lbs. (22 kg.)	51.5" (1308 mm)
	120/208		9.7			12.6				
	120/240		8.7			11.2				
	220-230 (CE) [‡]	1802-1969	8.2-8.6			2402-2625	10.9-11.4			
	230-240 (CE) [‡]	1690-1840	7.3-7.7			2240-2440	9.7-10.2			
GR2AL-54D	120 [◆]	2090	17.4	50 lbs. (23 kg.)	GR2AHL-54D	120 [◆]	2740	22.8	50 lbs. (23 kg.)	57.5" (1460 mm)
	120/208		10.9			14.0				
	120/240		9.7			12.4				
	220-230 (CE) [‡]	2052-2243	9.3-9.7			2702-2953	12.3-12.8			
	230-240 (CE) [‡]	1920-2090	8.3-8.7			2516-2740	10.9-11.4			

◆ Must order with an RMB2 for Canada.

▲ Shipping weight includes packaging, and does not include RMB (Remote Box), must order an RMB.

‡ CE approved units for 220-230V utilize a 220V heating system; 230-240V CE units utilize a 240V heating system.

↗ 120 volt models with infinite controls not available.

NOTE: Units rated for 120/208 or 120/240 volt are manufactured with a 120 volt circuit for the incandescent lights and a 208 or 240 volt circuit for the heating element(s).

HATCO CORPORATION | P.O. Box 340500 Milwaukee, WI 53234-0500 U.S.A. | (414) 671-6350



www.hatcocorp.com | support@hatcocorp.com | [Find a Hatco Rep](#) | [Image Library](#) | [Document Library](#) | [Patents](#) | [Chat](#)



Glo-Ray® Infrared Designer Dual Aluminum Strip Heaters with Lights

Models: GR2AL -18D, -24D, -30D, -36D, -42D, -48D, -54D, -60D, -66D, -72D, -84D
GR2AHL-18D, -24D, -30D, -36D, -42D, -48D, -54D, -60D, -66D, -72D, -84D

SPECIFICATIONS Glo-Ray® Infrared Designer Aluminum Strip Heaters with Lights

Dimensions (without Non-Adjustable Stands)

21.5" - 87.5" W x 18.0"-21.0" D x 3.5" H (546 - 2223 mm x 455-533 mm x 89 mm)

The shaded areas contain electrical information for International models

Standard Watt					High Watt					Both Models
Model	Volts single phase	Watt	Amps	Approx. Ship Weight [▲]	Model	Volts single phase	Watt	Amps	Approx. Ship Weight [▲]	Width
GR2AL-60D	120 [★]	2400	20	55 lbs. (25 kg.)	GR2AHL-60D	120 [★]	3100	25.8	55 lbs. (25 kg.)	63.5" (1613 mm)
	120/208		12.6			16.0				
	120/240		11.3			14.2				
	220-230 (CE) [‡]	2352-2572	10.7-11.2			3050-3336	13.9-14.5			
	230-240 (CE) [‡]	2204-2400	9.6-10.0			2848-3100	12.4-12.9			
GR2AL-66D	120 [★]	2620	21.8	67 lbs. (31 kg.)	GR2AHL-66D [↗]	120 [★]	3420	28.5	67 lbs. (31 kg.)	69.5" (1765 mm)
	120/208		13.7			17.5				
	120/240		12.2			15.5				
	220-230 (CE) [‡]	2572-2812	11.7-12.2			3372-3686	15.3-16.0			
	230-240 (CE) [‡]	2406-2620	10.5-11.0			3142-3420	13.7-14.3			
GR2AL-72D	120 [★]	2910	24.3	75 lbs. (35 kg.)	GR2AHL-72D [↗] Ⓜ	120 [★]	3810	31.8	75 lbs. (35 kg.)	75.5" (1918 mm)
	120/208		15.3			19.6				
	120/240		13.6			17.4				
	220-230 (CE) [‡]	2853-3119	13.0-13.5			3753-4101	17.1-17.8			
	230-240 (CE) [‡]	2673-2910	11.6-12.1			3499-3810	15.2-15.9			
GR2AL-84D [↗] Ⓜ	120 [★]	3420	28.5	82 lbs. (38 kg.)	GR2AHL-84D [↗] Ⓜ	-	4520	-	82 lbs. (38 kg.)	87.5" (2223 mm)
	120/208		17.9			23.2				
	120/240		16.0			20.6				
	220-230 (CE) [‡]	3353-3666	15.2-15.9			4453-4868	20.2-21.2			
	230-240 (CE) [‡]	3142-3420	13.7-14.3			4152-4520	18.1-18.8			

★ Must order with an RMB2 for Canada.

▲ Shipping weight includes packaging, and does not include RMB (Remote Box), must order an RMB.

‡ CE approved units for 220-230V utilize a 220V heating system; 230-240V CE units utilize a 240V heating system.

↗ 120 volt models with infinite controls not available.

Ⓜ 120 volt models contain tandem (end-to-end) elements that may be individually controlled.

Ⓜ Remote Control Box required

NOTE: Units rated for 120/208 or 120/240 volt are manufactured with a 120 volt circuit for the incandescent lights and a 208 or 240 volt circuit for the heating element(s).

SWITCH LOCATION

Remote only

TOGGLE SWITCH

Amps: Max. 15 amps

INFINITE SWITCH

Max. 12.2 amps

LEADS

5' (1524 mm) through 1/2" conduit in Stand cavity is standard

ELEMENT HEIGHT REQUIREMENTS

(Refer to the Installation section of the Manual on the Hatco website)

or follow this file path: www.hatcocorp.com > Resources > Choose Remote Box

With 3" (76 mm) or 6" (152 mm) Spacer

Standard Watt

Height: 10"-14" (254-356 mm)

Target Width: 18" (457 mm)

High Watt

Height: 14"-18" (356-457 mm)

Target Width: 24" (610 mm)

PRODUCT SPECS

Designer Infrared Designer Dual Aluminum Foodwarmers with Lights

The Infrared Designer Dual Aluminum Foodwarmer with Lights shall be a Glo-Ray®, manufactured by the Hatco Corporation, Milwaukee, WI 53234 U.S.A. The foodwarmer shall be a Glo-Ray model ... , rated at ... watts, ... volts, single phase and be ... inches (millimeters) in overall width. The Glo-Ray shall consist of an aluminum housing and include as standard equipment 14" (356 mm) Designer Stands. The infrared heating element shall be tubular metal sheathed. The foodwarmer shall be factory assembled ready for electrical installation.

REMOTE CONTROL ENCLOSURES

Must order one RMB control box per Strip Heater - If RMB2 is used, multiple warmers can be controlled from one box.



[Click here to download the RMB Choose Remote Box Excel Spreadsheet](#)

or follow this file path: www.hatcocorp.com > Resources > Choose Remote Box

Model (Series)	Width	Switches
RMB-3	6" (150 mm)	2 toggles
RMB-7	9.375" (239 mm)	2 toggles with indicator lights or 1 toggle, 1 infinite and indicator light
RMB-14	14.375" (366 mm)	2 Infinities with pilot lights

Options shall include Designer Color Housing, Designer Color Inset Panel, Designer non-adjustable Stands in various sizes (available in Designer Colors), Overhead Mounts (available in Designer Colors), dark gray corner caps, Sneeze Guards, no Control, Halogen Bulb(s), no Bulbs, Extra Lamps, Extended Electrical Power Leads. All Designer Colors are anti-microbial paint.

Warranty consists of 24/7 parts and service assistance (U.S. and Canada only).

HATCO CORPORATION | P.O. Box 340500 Milwaukee, WI 53234-0500 U.S.A. | (414) 671-6350



www.hatcocorp.com

support@hatcocorp.com

[Find a Hatco Rep](#)

[Image Library](#)

[Document Library](#)

[Patents](#)

[Chat](#)