



Project _____
 Item # _____
 Quantity _____

Remote Hot/Cold Built-In Shelves

Models:

HCSSBR-2418, -3018, -3618, -4818

HCSSBX-2418, -3018, -3618, -4818

HCSSBFR-24-F, -24-I, -24-S, -36-F, -36-I, -36-S, -48-F, -48-I, -48-S

HCSBFX-24-F, -24-I, -24-S, -36-F, -36-I, -36-S, -48-F, -48-I, -48-S

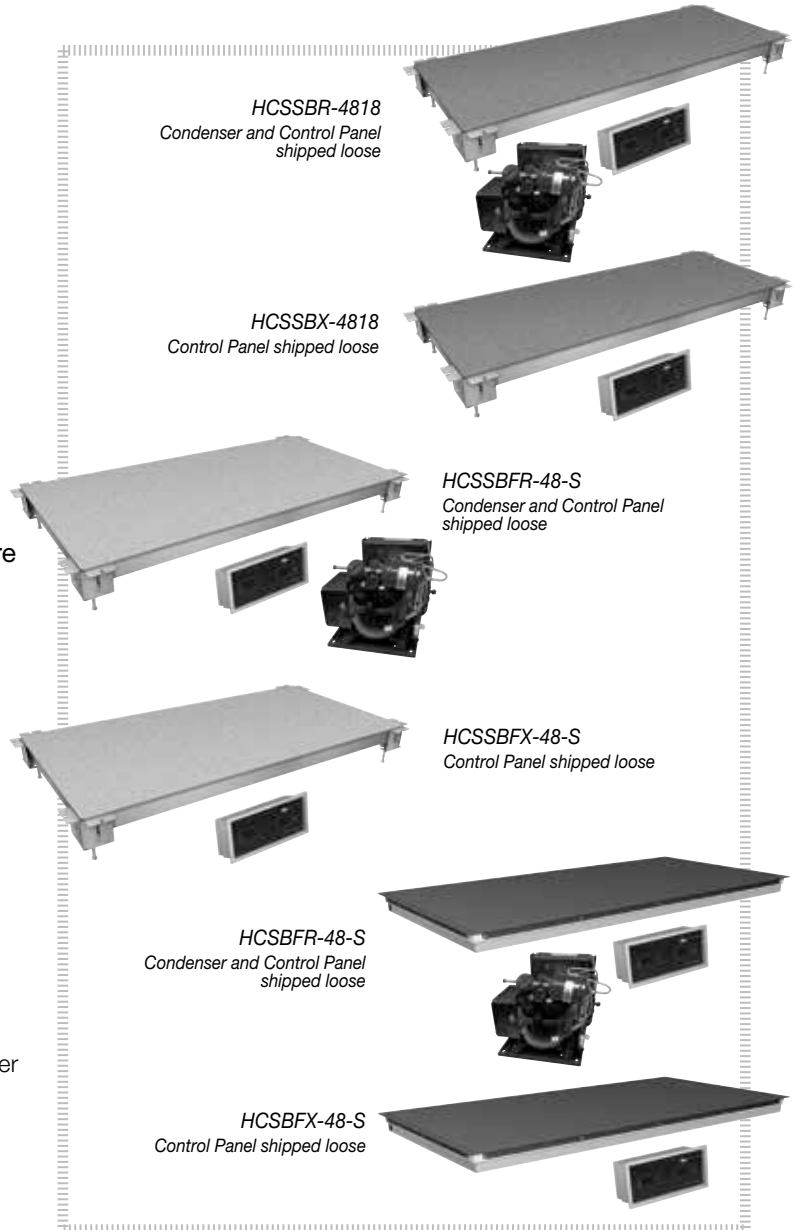
HCSBFR-24-F, -24-I, -24-S, -36-F, -36-I, -36-S, -48-F, -48-I, -48-S

HCSBFX-24-F, -24-I, -24-S, -36-F, -36-I, -36-S, -48-F, -48-I, -48-S

Give your operation ultimate flexibility with Hatco's, innovative, patented remote Hot/Cold Built-In Shelves with or without unattached Condenser. Available in our signature Hardcoat or in Swanstone®, they easily transition between a heated to cold and cold to heated shelf!

Standard features

- R-513A refrigerant available for California only, please contact Hatco for more information
- The shelves change modes from hot to cold or vice versa in as little as 30 minutes, allowing quick change for different day parts
- All units have an unattached Control Panel
- HCSSBR, HCSSBFR, HCSBFR models have an unattached condenser, while HCSSBX, HCSBFX, HCSBFX models have no condenser
- Hardcoat aluminum models (HCSBFR, HCSBFX) are top mount while simulated stone▲ models (HCSSBR, HCSSBX, HCSSBFR, HCSBFX) are bottom mount, flush with counter top
- Patented thermal break reduces condensation, temperature transfer
- For an integrated look:
 - HCSSBR, HCSSBX Hot/Cold Shelves match the GRSSB Heated Built-In Shelves
 - HCSBFR, HCSBFX Hot/Cold Shelves match the GRSBF Heated Built-In Shelves
- Models shipped with a shelf assembly with temperature probe, TXV valve (assembled), control panel shipped loose, Condensing unit shipped loose (HCSSBR, HCSSBFR, HCSBFR models only) and liquid line solenoid valve attached to shelf (HCSSBX, HCSBFX, HCSBFX models only)
- HCSSBR, HCSSBFR, HCSBFR condensers utilize R-404A refrigerant - while HCSSBX, HCSBFX, HCSBFX models allow shelves to be cooled with other refrigerants
- All models are not available with CE Mark
 - ▲ Models with simulated stone are Swanstone®



Options

- (available at time of purchase only)
- Simulated stone▲ color (excludes HCSBFR, HCSBFX models)
 - Non-standard colors are non-returnable
 - Gray Granite Bermuda Sand Night Sky (standard)
 - Additional four year parts only warranty on the compressor available at time of purchase (U.S. and Canada only)

For operation, location and safety information, please refer to the Installation & Operating Manual.



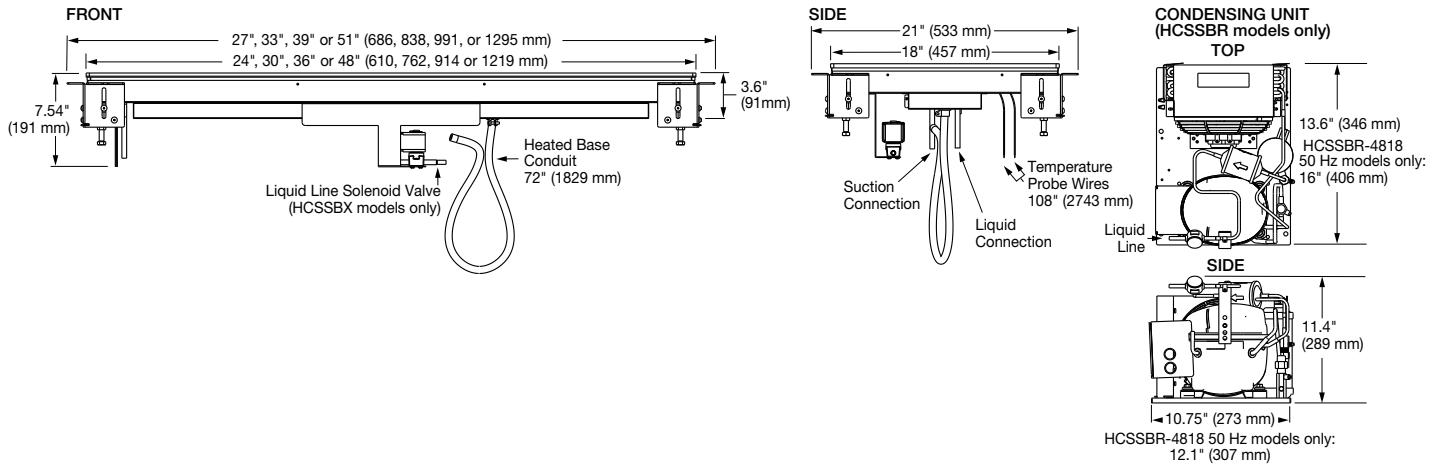
HATCO CORPORATION | P.O. Box 340500 Milwaukee, WI 53234-0500 U.S.A.
 (800) 558-0607 | (414) 671-6350 | www.hatcocorp.com | support@hatcocorp.com



Remote Hot/Cold Built-In Shelves

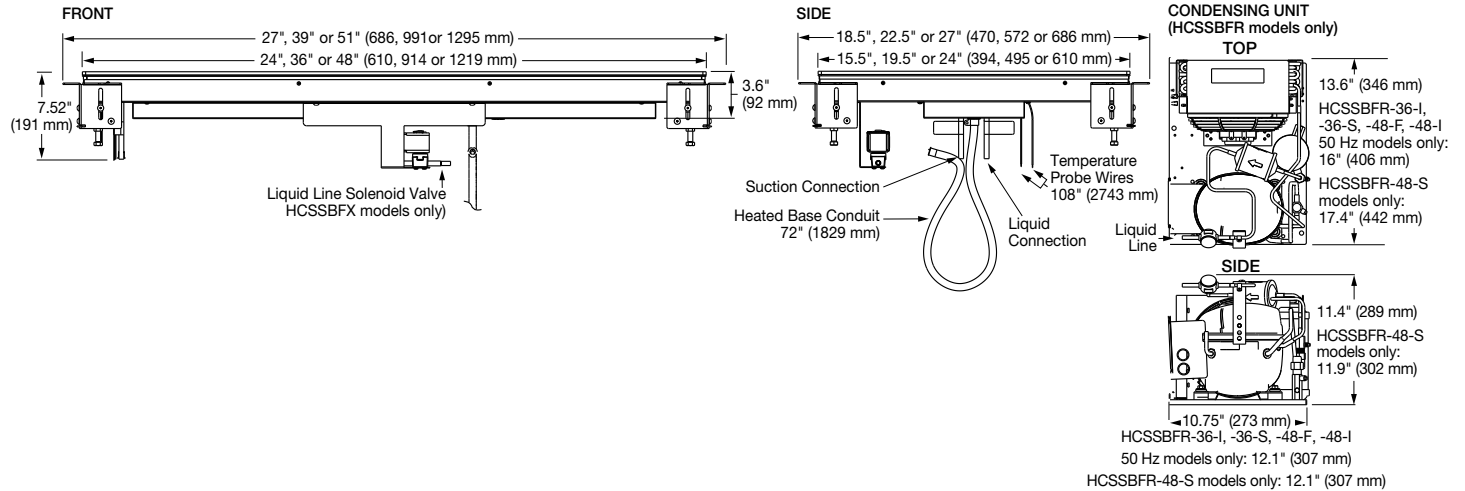
Models: HCSSBR-2418, -3018, -3618, -4818 HCSSBX-2418, -3018, -3618, -4818
 HCSSBFR-24-F, -24-I, -24-S, -36-F, -36-I, -36-S, -48-F, -48-I, -48-S
 HCSSBFX-24-F, -24-I, -24-S, -36-F, -36-I, -36-S, -48-F, -48-I, -48-S
 HCSBFR-24-F, -24-I, -24-S, -36-F, -36-I, -36-S, -48-F, -48-I, -48-S
 HCSBFX-24-F, -24-I, -24-S, -36-F, -36-I, -36-S, -48-F, -48-I, -48-S

HCSSBR, HCSSBX



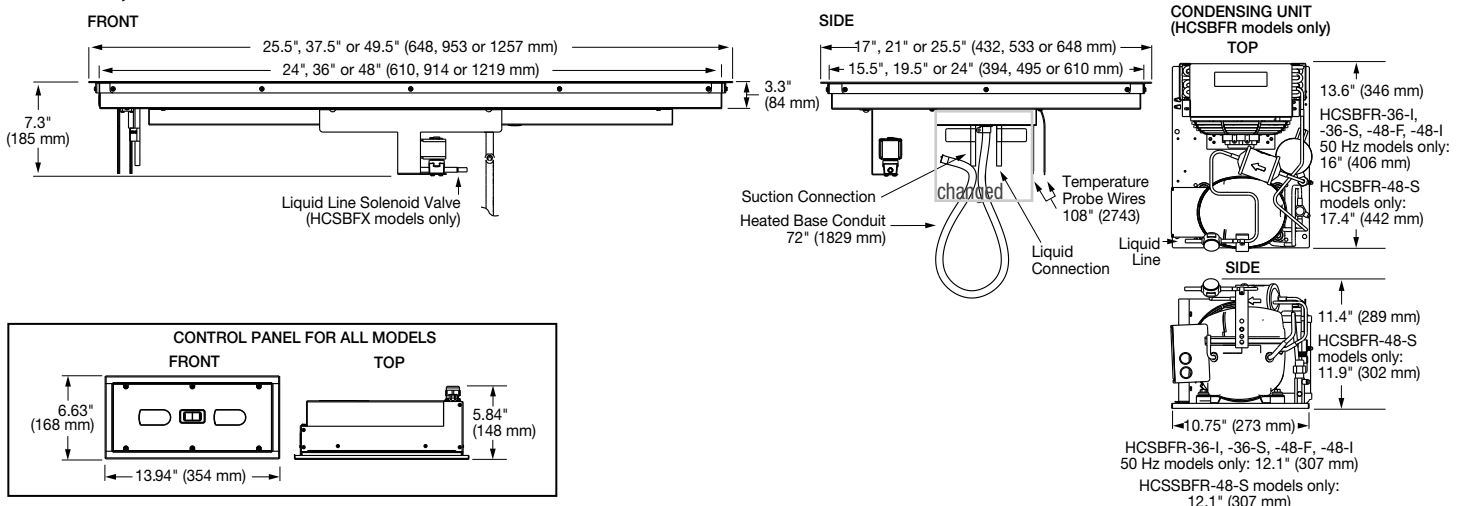
Contact Hatco for R-513A refrigerant specifications.

HCSSBFR, HCSSBFX

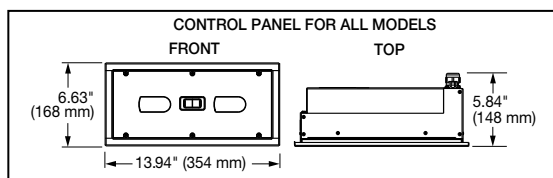


Contact Hatco for R-513A refrigerant specifications.

HCSBFR, HCSBFX



Contact Hatco for R-513A refrigerant specifications.





Remote Hot/Cold Built-In Shelves

Models: HCSSBR-2418, -3018, -3618, -4818 HCSSBX-2418, -3018, -3618, -4818
 HCSSBFR-24-F, -24-I, -24-S, -36-F, -36-I, -36-S, -48-F, -48-I, -48-S
 HCSSBFX-24-F, -24-I, -24-S, -36-F, -36-I, -36-S, -48-F, -48-I, -48-S
 HCSBFR-24-F, -24-I, -24-S, -36-F, -36-I, -36-S, -48-F, -48-I, -48-S
 HCSBFX-24-F, -24-I, -24-S, -36-F, -36-I, -36-S, -48-F, -48-I, -48-S

SPECIFICATIONS

Remote Hot/Cold Simulated Stone[^] Shelves Built-In (flush to countertop) with unattached Condenser and Control Panel *

The shaded areas contain electrical information for International models

Model	Overall Shelf Dimensions W x D x H	Usable Shelf Space W x D of heated/cooled surface	Comp. Size HP	Voltage*	Cold Side Watts	Hot Side Watts	Amps	Hz	Approximate Ship Weight
HCSSBR-2418	27" x 21" x 7.54" (686 x 533 x 191 mm)	24" x 18" (610 x 457 mm)	1/4	120	804	405	6.7	60	112 lb. (51 kg)
			1/3	220	616	371	2.8	50	
				230	667	405	2.9		
				240	744	441	3.1		
				220	686	371	3.1		
				230	749	405	3.3		
240	816	441	3.4						
HCSSBR-3018	33" x 21" x 7.54" (838 x 533 x 191 mm)	30" x 18" (762 x 457 mm)	1/4	120	804	510	6.7	60	142 lb. (65 kg)
			1/3	220	616	467	2.8	50	
				230	667	510	2.9		
				240	744	555	3.1		
				220	686	467	3.1		
				230	749	510	3.3		
240	816	555	3.4						
HCSSBR-3618	39" x 21" x 7.54" (991 x 533 x 191 mm)	36" x 18" (914 x 457 mm)	1/4	120	804	610	6.7	60	162 lb. (74 kg)
			1/3	220	616	558	2.8	50	
				230	667	610	2.9		
				240	744	664	3.1		
				220	686	558	3.1		
				230	749	610	3.3		
240	816	664	3.4						
HCSSBR-4818	51" x 21" x 7.54" (1295 x 533 x 191 mm)	48" x 18" (1219 x 457 mm)	1/3	120	468	815	6.8	60	187 lb. (85 kg)
			3/8	220	807	746	3.7	50	
				230	882	815	3.8		
				240	960	887	4.0		
				220	686	746	3.4		
				230	749	815	3.5		
240	816	887	3.7						

Remote Hot/Cold Simulated Stone[^] Shelves Built-In (flush to countertop) with unattached Control Panel only (no Condenser)*

The shaded areas contain electrical information for International models

Model	Overall Shelf Dimensions W x D x H	Usable Shelf Space W x D	Volts*	Rated Watts	Rated Amps	Hz	Approximate Ship Weight	
HCSSBX-2418	27" x 21" x 7.54" (686 x 533 x 191 mm)	24" x 18" (610 x 457 mm)	120	405	3.4	60	75 lb. (35 kg)	
			220	371	1.7	50		
			230	405	1.8			
			240	441	1.8			
			1/3	220	371	1.7		60
				230	405	1.8		
240	441	1.8						
220	371	1.7						
230	405	1.8						
240	441	1.8						
HCSSBX-3018	33" x 21" x 7.54" (838 x 533 x 191 mm)	30" x 18" (762 x 457 mm)	120	510	4.3	60	105 lb. (48 kg)	
			1/3	220	467	2.1		50
				230	510	2.2		
				240	555	2.3		
				220	467	2.1		
				230	510	2.2		
240	555	2.3						
HCSSBX-3618	39" x 21" x 7.54" (991 x 533 x 191 mm)	36" x 18" (914 x 457 mm)	120	610	5.1	60	125 lb. (57 kg)	
			1/3	220	558	2.5		50
				230	610	2.7		
				240	664	2.8		
				220	558	2.5		
				230	610	2.7		
240	664	2.8						
HCSSBX-4818	51" x 21" x 7.54" (1295 x 533 x 191 mm)	48" x 18" (1219 x 457 mm)	120	815	6.8	60	140 lb. (64 kg)	
			1/3	220	746	3.4		50
				230	815	3.5		
				240	887	3.7		
				220	746	3.4		
				230	815	3.5		
240	887	3.7						

[^]Models with simulated stone are Swanstone[®] *All voltages non-CE * Contact Hatco for R-513A refrigerant specifications.



Remote Hot/Cold Built-In Shelves

Models: HCSSBR-2418, -3018, -3618, -4818 HCSSBX-2418, -3018, -3618, -4818
 HCSSBFR-24-F, -24-I, -24-S, -36-F, -36-I, -36-S, -48-F, -48-I, -48-S
 HCSSBFX-24-F, -24-I, -24-S, -36-F, -36-I, -36-S, -48-F, -48-I, -48-S
 HCSSBFR-24-F, -24-I, -24-S, -36-F, -36-I, -36-S, -48-F, -48-I, -48-S
 HCSSBFX-24-F, -24-I, -24-S, -36-F, -36-I, -36-S, -48-F, -48-I, -48-S

SPECIFICATIONS

Remote Hot/Cold Simulated Stone Shelves[▲] Built-In Flush Top
 with unattached Condenser and Control Panel[※]

The shaded areas contain electrical information for international models

Model	Overall Shelf Dimensions W x D x H	Usable Space W x D of heated/cooled surface	Comp. Size HP	Volts*	Cold Side Watts	Hot Side Watts	Amps	Hz	Approximate Ship Weight
HCSSBFR-24-F	27" x 18.5" x 7.52" (686 x 470 x 191 mm)	24" x 15.5" (610 x 394 mm)	1/4	120	804	355	6.7	60	107 lbs. (49 kg)
				220	616	325	2.8	50	
			1/3	230	667	355	2.9		
				240	744	387	3.1		
				220	686	325	3.1		
				230	749	355	3.3		
240	816	387	3.4						
HCSSBFR-24-I	27" x 22.5" x 7.52" (686 x 572 x 191 mm)	24" x 19.5" (610 x 495 mm)	1/4	120	804	445	6.7	60	123 lbs. (56 kg)
				220	616	407	2.8	50	
			1/3	230	667	445	2.9		
				240	744	485	3.1		
				220	686	407	3.1		
				230	749	445	3.3		
240	816	485	3.4						
HCSSBFR-24-S	27" x 27" x 7.52" (686 x 686 x 191 mm)	24" x 24" (610 x 610 mm)	1/4	120	804	550	6.7	60	142 lbs. (65 kg)
				220	616	503	2.8	50	
			1/3	230	667	550	2.9		
				240	744	599	3.1		
				220	686	503	3.1		
				230	749	550	3.3		
240	816	599	3.4						
HCSSBFR-36-F	39" x 18.5" x 7.52" (991 x 470 x 191 mm)	36" x 15.5" (914 x 394 mm)	1/4	120	804	530	6.7	60	138 lbs. (63 kg)
				220	616	485	2.8	50	
			1/3	230	667	530	2.9		
				240	744	577	3.1		
				220	686	485	3.1		
				230	749	530	3.3		
240	816	577	3.4						
HCSSBFR-36-I	39" x 22.5" x 7.52" (991 x 572 x 191 mm)	36" x 19.5" (914 x 495 mm)	1/3	120	468	670	6.5	60	159 lbs. (73 kg)
				220	807	613	3.7	50	
			3/8	230	882	670	3.8		
				240	960	730	4.0		
				220	686	613	3.1		
				230	749	670	3.3		
240	816	730	3.4						
HCSSBFR-36-S	39" x 27" x 7.52" (991 x 686 x 191 mm)	36" x 24" (914 x 610 mm)	1/3	120	468	825	6.9	60	190 lbs. (87 kg)
				220	807	755	3.7	50	
			3/8	230	882	825	3.8		
				240	960	898	4.0		
				220	686	755	3.4		
				230	749	825	3.5		
240	816	898	3.7						
HCSSBFR-48-F	51" x 18.5" x 7.52" (1295 x 470 x 191 mm)	48" x 15.5" (1219 x 394 mm)	1/3	120	468	710	6.5	60	167 lbs. (76 kg)
				220	807	650	3.7	50	
			3/8	230	882	710	3.8		
				240	960	773	4.0		
				220	686	650	3.1		
				230	749	710	3.3		
240	816	773	3.4						
HCSSBFR-48-I	51" x 22.5" x 7.52" (1295 x 572 x 191 mm)	48" x 19.5" (1219 x 495 mm)	1/3	120	468	890	7.4	60	206 lbs. (94 kg)
				220	807	814	3.7	50	
			3/8	230	882	890	3.9		
				240	960	969	4.0		
				220	686	814	3.7		
				230	749	890	3.9		
240	816	969	4.0						
HCSSBFR-48-S	51" x 27" x 7.52" (1295 x 686 x 191 mm)	48" x 24" (1219 x 610 mm)	1/2	120	1380	1100	11.5	60	212 lbs. (97 kg)
				220	1190	1006	5.4	50	
			1/2	230	1300	1100	5.7		
				240	1416	1198	5.9		
				220	1210	1006	5.5		
				230	1322	1100	5.8		
240	1440	1198	6.0						

▲Models with simulated stone are Swanstone® *All voltages non-CE ※ Contact Hatco for R-513A refrigerant specifications.



Remote Hot/Cold Built-In Shelves

Models: HCSSBR-2418, -3018, -3618, -4818 HCSSBX-2418, -3018, -3618, -4818
 HCSSBFR-24-F, -24-I, -24-S, -36-F, -36-I, -36-S, -48-F, -48-I, -48-S
 HCSSBFX-24-F, -24-I, -24-S, -36-F, -36-I, -36-S, -48-F, -48-I, -48-S
 HCSSBFR-24-F, -24-I, -24-S, -36-F, -36-I, -36-S, -48-F, -48-I, -48-S
 HCSSBFX-24-F, -24-I, -24-S, -36-F, -36-I, -36-S, -48-F, -48-I, -48-S

SPECIFICATIONS

Remote Hot/Cold Simulated Stone Shelves[▲] Built-In Flush Top
 with unattached Control Panel only (no Condenser)^{*}

The shaded areas contain electrical information for International models

Model	Overall Shelf Dimensions W x D x H	Usable Shelf Space W x D	Volts*	Rated Watts	Rated Amps	Hz	Approximate Ship Weight
HCSSBFX-24-F	27" x 18.5" x 7.52" (686 x 394 x 191 mm)	24" x 15.5" (610 x 394 mm)	120	355	3.0	60	70 lbs. (49 kg)
			220	325	1.5	50	
			230	355	1.5		
			240	387	1.6	60	
			220	325	1.5		
			230	355	1.5		
240	387	1.6					
HCSSBFX-24-I	27" x 22.5" x 7.52" (686 x 495 x 191 mm)	24" x 19.5" (610 x 495 mm)	120	445	3.7	60	86 lbs. (40 kg)
			220	407	1.8	50	
			230	445	1.9		
			240	485	2.0	60	
			220	407	1.8		
			230	445	1.9		
240	485	2.0					
HCSSBFX-24-S	27" x 27" x 7.52" (686 x 610 x 191 mm)	24" x 24" (610 x 610 mm)	120	550	4.6	60	105 lbs. (48 kg)
			220	503	2.3	50	
			230	550	2.4		
			240	599	2.5	60	
			220	503	2.3		
			230	550	2.4		
240	599	2.5					
HCSSBFX-36-F	39" x 18.5" x 7.52" (991 x 394 x 191 mm)	36" x 15.5" (914 x 394 mm)	120	530	4.4	60	101 lbs. (46 kg)
			220	485	2.2	50	
			230	530	2.3		
			240	577	2.4	60	
			220	485	2.2		
			230	530	2.3		
240	577	2.4					
HCSSBFX-36-I	39" x 19.5" x 7.52" (991 x 495 x 191 mm)	36" x 19.5" (914 x 495 mm)	120	670	5.6	60	122 lbs. (56 kg)
			220	613	2.8	50	
			230	670	2.9		
			240	730	3.0	60	
			220	613	2.8		
			230	670	2.9		
240	730	3.0					
HCSSBFX-36-S	39" x 27" x 7.52" (991 x 610 x 191 mm)	36" x 24" (914 x 610 mm)	120	825	6.9	60	153 lbs. (62 kg)
			220	755	3.4	50	
			230	825	3.5		
			240	898	3.7	60	
			220	755	3.4		
			230	825	3.5		
240	898	3.7					
HCSSBFX-48-F	51" x 18.5" x 7.52" (1295 x 470 x 191 mm)	48" x 15.5" (1219 x 394 mm)	120	710	5.9	60	130 lbs. (59 kg)
			220	650	3.0	50	
			230	710	3.1		
			240	773	3.2	60	
			220	650	3.0		
			230	710	3.1		
240	773	3.2					
HCSSBFX-48-I	51" x 22.5" x 7.52" (1295 x 572 x 191 mm)	48" x 19.5" (1219 x 495 mm)	120	890	7.4	60	169 lbs. (77 kg)
			220	814	3.7	50	
			230	890	3.9		
			240	969	4.0	60	
			220	814	3.7		
			230	890	3.9		
240	969	4.0					
HCSSBFX-48-S	51" x 27" x 7.52" (1295 x 686 x 191 mm)	48" x 24" (1219 x 610 mm)	120	1100	9.2	60	165 lbs. (75 kg)
			220	1006	4.6	50	
			230	1100	4.8		
			240	1198	5.0	60	
			220	1006	4.6		
			230	1100	4.8		
240	1198	5.0					

[▲]Models with simulated stone are Swanstone[®] *All voltages non-CE * Contact Hatco for R-513A refrigerant specifications.



Remote Hot/Cold Built-In Shelves

Models: HCSSBR-2418, -3018, -3618, -4818 HCSSBX-2418, -3018, -3618, -4818
 HCSSBFR-24-F, -24-I, -24-S, -36-F, -36-I, -36-S, -48-F, -48-I, -48-S
 HCSSBFX-24-F, -24-I, -24-S, -36-F, -36-I, -36-S, -48-F, -48-I, -48-S
 HCSBFR-24-F, -24-I, -24-S, -36-F, -36-I, -36-S, -48-F, -48-I, -48-S
 HCSBFX-24-F, -24-I, -24-S, -36-F, -36-I, -36-S, -48-F, -48-I, -48-S

SPECIFICATIONS

Remote Hot/Cold Shelves, Built-In, Flush Top (Hard Coat Aluminum)
 with unattached Condenser and Control Panel *

The shaded areas contain electrical information for International models

Model	Overall Shelf Dimensions W x D x H	Usable Shelf Space W x D of heated/cooled surface	Comp. Size HP	Volts*	Cold Side Watts	Hot Side Watts	Amps	Hz	Approximate Ship Weight
HCSBFR-24-F	25.5" x 17" x 7.3" (648 x 432 x 185 mm)	24" x 15.5" (610 x 394 mm)	1/4	120	804	355	6.7	60	111 lbs. (51 kg)
			1/3	220	616	325	2.8	50	
				230	667	355	2.9		
				240	744	387	3.1		
				220	686	325	3.1		
				230	749	355	3.3		
			240	816	387	3.4	60		
HCSBFR-24-I	25.5" x 21" x 7.3" (648 x 533 x 185 mm)	24" x 19.5" (610 x 495 mm)	1/4	120	804	445	6.7	60	118 lbs. (54 kg)
			1/3	220	616	407	2.8	50	
				230	667	445	2.9		
				240	744	485	3.1		
				220	686	407	3.1		
				230	749	445	3.3		
			240	816	485	3.4	60		
HCSBFR-24-S	25.5" x 25.5" x 7.3" (648 x 648 x 185 mm)	24" x 24" (610 x 610 mm)	1/4	120	804	550	6.7	60	132 lbs. (60 kg)
			1/3	220	616	503	2.8	50	
				230	667	550	2.9		
				240	744	599	3.1		
				220	686	503	3.1		
				230	749	550	3.3		
			240	816	599	3.4	60		
HCSBFR-36-F	37.5" x 17" x 7.3" (953 x 432 x 185 mm)	36" x 15.5" (914 x 394 mm)	1/4	120	804	530	6.7	60	147 lbs. (67 kg)
			1/3	220	616	485	2.8	50	
				230	667	530	2.9		
				240	744	577	3.1		
				220	686	485	3.1		
				230	749	530	3.3		
			240	816	577	3.4	60		
HCSBFR-36-I	37.5" x 21" x 7.3" (953 x 533 x 185 mm)	36" x 19.5" (914 x 495 mm)	1/3	120	468	670	6.5	60	151 lbs. (69 kg)
			3/8	220	807	613	3.7	50	
				230	882	670	3.8		
				240	960	730	4.0		
			1/3	220	686	613	3.1	60	
				230	749	670	3.3		
				240	816	730	3.4		
HCSBFR-36-S	37.5" x 25.5" x 7.3" (953 x 648 x 185 mm)	36" x 24" (914 x 610 mm)	1/3	120	468	825	6.9	60	156 lbs. (71 kg)
			3/8	220	807	755	3.7	50	
				230	882	825	3.8		
				240	960	898	4.0		
			1/3	220	686	755	3.4	60	
				230	749	825	3.5		
				240	816	898	3.7		
HCSBFR-48-F	49.5" x 17" x 7.3" (1257 x 432 x 185 mm)	48" x 15.5" (1219 x 394 mm)	1/3	120	468	710	6.5	60	157 lbs. (72 kg)
			3/8	220	807	650	3.7	50	
				230	882	710	3.8		
				240	960	773	4.0		
			1/3	220	686	650	3.1	60	
				230	749	710	3.3		
				240	816	773	3.4		
HCSBFR-48-I	49.5" x 21" x 7.3" (1257 x 533 x 185 mm)	48" x 19.5" (1219 x 495 mm)	1/3	120	468	890	7.4	60	164 lbs. (75 kg)
			3/8	220	807	814	3.7	50	
				230	882	890	3.9		
				240	960	969	4.0		
			1/3	220	686	814	3.7	60	
				230	749	890	3.9		
				240	816	969	4.0		
HCSBFR-48-S	49.5" x 25.5" x 7.3" (1257 x 648 x 185 mm)	48" x 24" (1219 x 610 mm)	1/2	120	1380	1100	11.5	60	196 lbs. (89 kg)
			1/2	220	1190	1006	5.4	50	
				230	1300	1100	5.7		
				240	1416	1198	5.9		
				220	1210	1006	5.5		
				230	1322	1100	5.8		
			240	1440	1198	6.0	60		

*All voltages non-CE * Contact Hatco for R-513A refrigerant specifications.

HATCO CORPORATION | P.O. Box 340500 Milwaukee, WI 53234-0500 U.S.A.
 (800) 558-0607 | (414) 671-6350 | www.hatcocorp.com | support@hatcocorp.com



Remote Hot/Cold Built-In Shelves

Models: HCSSBR-2418, -3018, -3618, -4818 HCSSBX-2418, -3018, -3618, -4818
 HCSSBFR-24-F, -24-I, -24-S, -36-F, -36-I, -36-S, -48-F, -48-I, -48-S
 HCSSBFX-24-F, -24-I, -24-S, -36-F, -36-I, -36-S, -48-F, -48-I, -48-S
 HCSBFR-24-F, -24-I, -24-S, -36-F, -36-I, -36-S, -48-F, -48-I, -48-S
 HCSBFX-24-F, -24-I, -24-S, -36-F, -36-I, -36-S, -48-F, -48-I, -48-S

SPECIFICATIONS

Remote Hot/Cold Shelves, Built-In, Flush Top (Hard Coat Aluminum)
 with unattached Control Panel only (no Condenser) *

The shaded areas contain electrical information for International models

Model	Overall Shelf Dimensions W x D x H	Usable Space W x D	Volts*	Rated Watts	Rated Amps	Hz	Approximate Ship Weight
HCSBFX-24-F	25.5" x 17" x 7.3" (648 x 432 x 185 mm)	24" x 15.5" (610 x 394 mm)	120	355	3.0	60	74 lbs. (34 kg)
			220	325	1.5	50	
			230	355	1.5		
			240	387	1.6	60	
			220	325	1.5		
			230	355	1.5		
240	387	1.6					
HCSBFX-24-I	25.5" x 21" x 7.3" (648 x 533 x 185 mm)	24" x 19.5" (610 x 495 mm)	120	445	3.7	60	84 lbs. (39 kg)
			220	407	1.8	50	
			230	445	1.9		
			240	485	2.0	60	
			220	407	1.8		
			230	445	1.9		
240	485	2.0					
HCSBFX-24-S	25.5" x 25.5" x 7.3" (648 x 648 x 185 mm)	24" x 24" (610 x 610 mm)	120	550	4.6	60	95 lbs. (44 kg)
			220	503	2.3	50	
			230	550	2.4		
			240	599	2.5	60	
			220	503	2.3		
			230	550	2.4		
240	599	2.5					
HCSBFX-36-F	37.5" x 17" x 7.3" (953 x 432 x 185 mm)	36" x 15.5" (914 x 394 mm)	120	530	4.4	60	110 lbs. (50 kg)
			220	485	2.2	50	
			230	530	2.3		
			240	577	2.4	60	
			220	485	2.2		
			230	530	2.3		
240	577	2.4					
HCSBFX-36-I	37.5" x 21" x 7.3" (953 x 533 x 185 mm)	36" x 19.5" (914 x 495 mm)	120	670	5.6	60	114 lbs. (52 kg)
			220	613	2.8	50	
			230	670	2.9		
			240	730	3.0	60	
			220	613	2.8		
			230	670	2.9		
240	730	3.0					
HCSBFX-36-S	37.5" x 25.5" x 7.3" (953 x 648 x 185 mm)	36" x 24" (914 x 610 mm)	120	825	6.9	60	119 lbs. (54 kg)
			220	755	3.4	50	
			230	825	3.5		
			240	898	3.7	60	
			220	755	3.4		
			230	825	3.5		
240	898	3.7					
HCSBFX-48-F	49.5" x 17" x 7.3" (1257 x 432 x 185 mm)	48" x 15.5" (1219 x 394 mm)	120	710	5.9	60	120 lbs. (55 kg)
			220	650	3.0	50	
			230	710	3.1		
			240	773	3.2	60	
			220	650	3.0		
			230	710	3.1		
240	773	3.2					
HCSBFX-48-I	49.5" x 21" x 7.3" (1257 x 533 x 185 mm)	48" x 19.5" (1219 x 495 mm)	120	890	7.4	60	127 lbs. (58 kg)
			220	814	3.7	50	
			230	890	3.9		
			240	969	4.0	60	
			220	814	3.7		
			230	890	3.9		
240	969	4.0					
HCSBFX-48-S	49.5" x 25.5" x 7.3" (1257 x 648 x 185 mm)	48" x 24" (1219 x 610 mm)	120	1100	9.2	60	149 lbs. (67 kg)
			220	1006	4.6	50	
			230	1100	4.8		
			240	1198	5.0	60	
			220	1006	4.6		
			230	1100	4.8		
240	1198	5.0					

*Models with simulated stone are Swanstone® *All voltages non-CE * Contact Hatco for R-513A refrigerant specifications.



Remote Hot/Cold Built-In Shelves

Models: HCSSBR-2418, -3018, -3618, -4818 HCSSBX-2418, -3018, -3618, -4818
 HCSSBFR-24-F, -24-I, -24-S, -36-F, -36-I, -36-S, -48-F, -48-I, -48-S
 HCSSBFX-24-F, -24-I, -24-S, -36-F, -36-I, -36-S, -48-F, -48-I, -48-S
 HCSBFR-24-F, -24-I, -24-S, -36-F, -36-I, -36-S, -48-F, -48-I, -48-S
 HCSBFX-24-F, -24-I, -24-S, -36-F, -36-I, -36-S, -48-F, -48-I, -48-S

COUNTERTOP CUTOUT SIZE

See Installation and Operating Manuals for more information

Model	Width with .375" (10 mm) radii	Depth with .375" (10 mm) radii
HCSSBR-2418, HCSSBX-2418	24.375" (619 mm)	18.375" (467 mm)
HCSSBR-3018, HCSSBX-3018	30.375" (772 mm)	18.375" (467 mm)
HCSSBR-3618, HCSSBX-3618	36.375" (924 mm)	18.375" (467 mm)
HCSSBR-4818, HCSSBX-4818	48.375" (1229 mm)	18.375" (467 mm)

Model	Width with .375" (10 mm) radii	Depth with .375" (10 mm) radii
HCSBFR-24-F, HCSSBFX-24-F	24.375" (619 mm)	15.875" (403 mm)
HCSBFR-24-I, HCSSBFX-24-I	24.375" (619 mm)	19.875" (505 mm)
HCSBFR-24-S, HCSSBFX-24-S	24.375" (619 mm)	24.375" (619 mm)
HCSBFR-36-F, HCSSBFX-36-F	36.375" (924 mm)	15.875" (403 mm)
HCSBFR-36-I, HCSSBFX-36-I	36.375" (924 mm)	19.875" (505 mm)
HCSBFR-36-S, HCSSBFX-36-S	36.375" (924 mm)	24.375" (619 mm)
HCSBFR-48-F, HCSSBFX-48-F	48.375" (1229 mm)	15.875" (403 mm)
HCSBFR-48-I, HCSSBFX-48-I	48.375" (1229 mm)	19.875" (505 mm)
HCSBFR-48-S, HCSSBFX-48-S	48.375" (1229 mm)	24.375" (619 mm)

Model	Width		Depth	
	Minimum	Maximum	Minimum	Maximum
HCSBFR-24-F, HCSBFX-24-F	24.6" (625 mm)	25.0" (635 mm)	16.125" (409 mm)	16.5" (419 mm)
HCSBFR-24-I, HCSBFX-24-I	24.6" (625 mm)	25.0" (635 mm)	20.125" (511 mm)	20.5" (521 mm)
HCSBFR-24-S, HCSBFX-24-S	24.6" (625 mm)	25.0" (635 mm)	24.6" (625 mm)	25.0" (635 mm)
HCSBFR-36-F, HCSBFX-36-F	36.6" (930 mm)	37.0" (940 mm)	16.125" (409 mm)	16.5" (419 mm)
HCSBFR-36-I, HCSBFX-36-I	36.6" (930 mm)	37.0" (940 mm)	20.125" (511 mm)	20.5" (521 mm)
HCSBFR-36-S, HCSBFX-36-S	36.6" (930 mm)	37.0" (940 mm)	24.6" (625 mm)	25.0" (635 mm)
HCSBFR-48-F, HCSBFX-48-F	48.6" (1234 mm)	49.0" (1245 mm)	16.125" (409 mm)	16.5" (419 mm)
HCSBFR-48-I, HCSBFX-48-I	48.6" (1234 mm)	49.0" (1245 mm)	20.125" (511 mm)	20.5" (521 mm)
HCSBFR-48-S, HCSBFX-48-S	48.6" (1234 mm)	49.0" (1245 mm)	24.6" (625 mm)	25.0" (635 mm)

All Models	Width	Height
Control Box Cut out Dimensions	13.125" (333 mm)	5.625" (143 mm)

PRODUCT SPECS

Remote Hot/Cold Simulated Stone Built-In Shelves

The Remote Hot/Cold Simulated Stone Built-In Shelf, patent pending, shall be model ... as manufactured by the Hatco Corporation, Milwaukee, WI 53234 U.S.A.

The Remote Hot/Cold Simulated Stone Built-In Shelf shall be rated at ... watts, ... volts, and ... inches (millimeters) in overall width.

It shall utilize R-404A or R-513A refrigerant and consist of food-safe simulated stone material surface shelf assembly with temperature probe, unattached TXV valve, unattached Control Panel, unattached Condenser (HCSSBR models only) and solenoid valve attached to shelf (HCSSBX models only).

Warranty consists of 24/7 parts and service assistance (U.S. and Canada only).

Remote Hot/Cold Simulated Stone Built-In Flush Top Shelves

The Remote Hot/Cold Simulated Stone Built-In Flush Top Shelf, patent pending, shall be model ... as manufactured by the Hatco Corporation, Milwaukee, WI 53234 U.S.A.

The Remote Hot/Cold Simulated Stone Built-In Flush Top Shelf shall be rated at ... watts, ... volts, and ... inches (millimeters) in overall width.

It shall utilize R-404A or R-513A refrigerant and consist of food-safe simulated stone material surface shelf assembly with temperature probe, unattached TXV valve, unattached Control Panel, unattached Condenser (HCSBFR models only) and solenoid valve attached to shelf (HCSBFX models only).

Warranty consists of 24/7 parts and service assistance (U.S. and Canada only).

Remote Hot/Cold Shelves Built-In Flush Top (Aluminum Hardcoat)

The Remote Hot/Cold Shelf Built-In Flush Top, patent pending, shall be model ... as manufactured by the Hatco Corporation, Milwaukee, WI 53234 U.S.A.

The Remote Hot/Cold Shelf Built-In Flush Top shall be rated at ... watts, ... volts, and ... inches (millimeters) in overall width.

It shall utilize R-404A or R-513A refrigerant and consist of food-safe Hardcoat Aluminium material surface shelf assembly with temperature probe, unattached TXV valve, unattached Control Panel, unattached Condenser (HCSBFR model only) and solenoid valve attached to shelf (HCSBFX model only).

Warranty consists of 24/7 parts and service assistance (U.S. and Canada only).

▲Models with simulated stone are Swanstone®

HATCO CORPORATION | P.O. Box 340500 Milwaukee, WI 53234-0500 U.S.A.
 (800) 558-0607 | (414) 671-6350 | www.hatcocorp.com | support@hatcocorp.com