



Project \_\_\_\_\_

Item # \_\_\_\_\_

Quantity \_\_\_\_\_

# Rectangular Waffle Makers

Models: RCTWM-1B, -2B

Hatco®/Suntec Rectangular Belgian-style Waffle Makers are designed for use in commercial kitchens, display cooking applications, and buffets. They feature an exclusive heating element design, which provides exceptional heat distribution throughout the entire cooking plate, resulting in perfectly even cooking and great quality waffles. Adjustable time and temperature allow operators to "dial in" the perfect cooking profile for their particular operation, or use different batters to expand the menu offering.

## Standard features


- Commercial foodservice quality - designed for many hours of continuous use, every day
- Stainless steel frame, cast aluminum cooking plates
- Belgian-style cooking plates delivers 1" (25 mm) thick waffles
- LED display shows timer, temperature and status information
- Beeper signals the end of a cooking cycle
- Simple push button control panel featuring a stand-by on/off, timer/temp toggle, higher/lower selection, and start/stop
- Fast initial heat up time, excellent heat retention and recovery delivers high productivity and consistent results
- Models come with a stainless steel frame and aluminum cooking plates. Also a power I/O (on/off) switch, a multi-function control panel, a nylon brush and 6' (152 mm) cord and plug



## Accessories

WM-Brush



 For operation, location and safety information, please refer to the Installation and Operating Manual.



HATCO CORPORATION | P.O. Box 340500 Milwaukee, WI 53234-0500 U.S.A. | (414) 671-6350

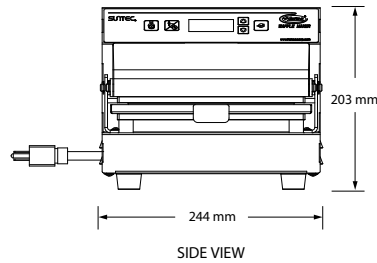
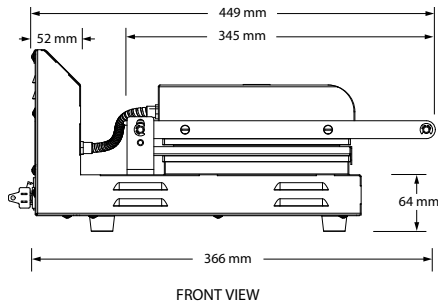
 [www.hatcocorp.com](http://www.hatcocorp.com) | [support@hatcocorp.com](mailto:support@hatcocorp.com) | [Find a Hatco Rep](#) | [Image Library](#) | [Document Library](#) | [Patents](#) | [Chat](#)



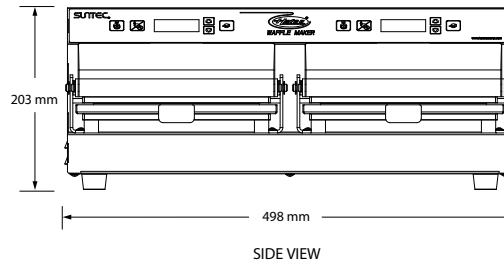
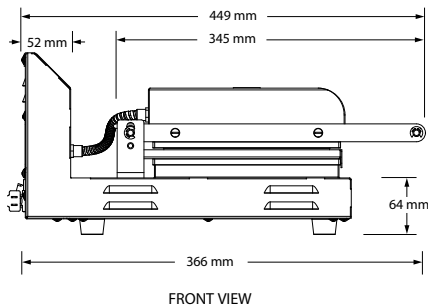
# Rectangular Waffle Makers

Models: RCTWM-1B, -2B

## RCTWM-1B



## RCTWM-2B



## SPECIFICATIONS Rectangular Waffle Makers

The shaded areas contain electrical information for International models

Model	Item No.	Description	Dimensions (W x D x H)	Voltage	Watts	Amps	Plug	Approx. Ship Weight
RCTWM-1B	RCTWM1B.CEE, RCTWM1B.BS	single, rectangular, Belgian	244 x 366 x 203 mm	220, 230, 240	823, 900, 980	3.7, 3.9, 4.0	Schuko, CCC, BS-1363	7 kg
RCTWM-2B	RCTWM2B.CEE, RCTWM2B.BS	double, rectangular, Belgian	498 x 366 x 203 mm	220, 230, 240	1647, 1800, 1960	7.5, 7.8, 8.2	Schuko, CCC, BS-1363	15 kg

## CORD LOCATION

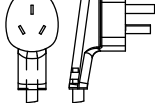
Back of unit bottom left-hand side.

## PLUG CONFIGURATIONS

CEE 7/7 Schuko



CCC



BS-1363



## PRODUCT SPECS Rectangular Waffle Makers

The Hatco/Suntec Rectangular Belgian-Style Waffle Makers shall be Model ... as distributed by the Hatco Corporation, Milwaukee, WI 53234 U.S.A.

The Waffle Maker shall be rated at ... watts, ... volts, and be ... inches (millimeters) in overall width.

It shall consist of stainless steel frame and aluminum cooking plates. Rectangular

Belgian-style Waffle Makers feature a Power I/O (on/off) switch on the back, a multi-function control panel, and a nylon brush. All units are equipped with a factory attached 6' (1829 mm) power cord and plug.

Warranty consists of 24/7 parts and service assistance (US and Canada only).

HATCO CORPORATION

P.O. Box 340500 Milwaukee, WI 53234-0500 U.S.A. | (414) 671-6350



[www.hatcocorp.com](http://www.hatcocorp.com)

[support@hatcocorp.com](mailto:support@hatcocorp.com)

[Find a Hatco Rep](#)

[Image Library](#)

[Document Library](#)

[Patents](#)

[Chat](#)