



Project _____

Item # _____

Quantity _____

Griddle

Model: KGRDE-2513

Hatco®/Krampouz Electric Griddle is designed for commercial kitchens with maximum durability and performance with minimum maintenance. Cook a wide variety of food product in a small footprint. And easy to use, thanks to its adjustable thermostat up to 570°F (300°C). These griddles are perfect for narrow kitchens and confined spaces.

Standard features

- The exclusive, high wattage heating elements provide exceptional heat distribution over the entire griddle for even and fast cooking
- Two cooking areas for variety and speed in your kitchen, with individual adjustable Temperature Control, a Power I/O (on/off) Switch, and a heating indicator
- Two thermostats with a graduated dial from 120° - 570°F (50° - 300°C) which enable operators to cook food product with different temperature requirements on the same griddle surface
- The Electric Griddle consists of an easy-to-clean, stainless steel frame and a rectangular, stainless steel griddle
- Removable drip tray for easy cleaning
- The Electric Griddle features high wattage heating elements, and a factory attached 6' (1829 mm) power cord with plug



DISCONTINUED



For operation, location and safety information, please refer to the Installation and Operating Manual.

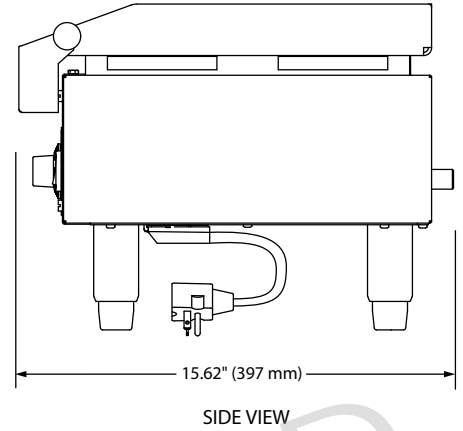
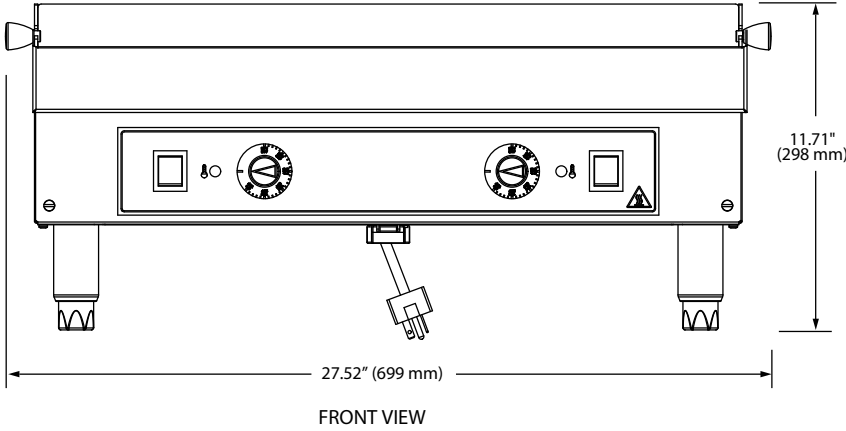


www.hatcocorp.com | support@hatcocorp.com | [Find a Hatco Rep](#) | [Image Library](#) | [Document Library](#) | [Patents](#) | [Chat](#)



Griddle
Model: KGRDE-2513

KGRDE-2513



SPECIFICATIONS
Electric Griddle

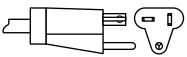
Model	Item No.	Dimensions (W x D x H)	Cooking Surface (W x D)	Voltage	Watts	Amps	Plug	Approx. Ship Weight
KGRDE-2513	KGRDE.2513620	27.52" x 15.62" x 11.71" (699 x 397 x 298 mm)	25.43" x 13.94" (646 x 354 mm)	208-240	2628-3500	12.6-14.6	NEMA 6-20P	44 lbs. (20 kg)

CORD LOCATION

Under base at center of unit.

PLUG CONFIGURATIONS

NEMA 6-20P



PRODUCT SPECS
Electric Griddle

The Electric Griddle shall be Model ... as distributed by the Hatco Corporation, Milwaukee, WI 53234 U.S.A.

The Electric Griddle shall be rated at ... watts, ... volts, and be ... inches (millimeters) in overall width.

It shall consist of high watt heating elements, a stainless steel frame and a rectangular

stainless steel griddle. The Electric Griddle features two thermostatic controls from 120° - 570°F (50° - 300°C), On/Off switch with power light and a drip tray. All units are equipped with a factory attached 6' (1829 mm) power cord and plug.

Warranty consists of 24/7 parts and service assistance (US and Canada only).

HATCO CORPORATION | P.O. Box 340500 Milwaukee, WI 53234-0500 U.S.A. | (414) 671-6350



www.hatcocorp.com | support@hatcocorp.com | [Find a Hatco Rep](#) | [Image Library](#) | [Document Library](#) | [Patents](#) | [Chat](#)