



Project _____

Item # _____

Quantity _____

Gas Griddle

Model: KGRDG-2513

Hatco®/Krampouz Gas Griddle is designed for commercial kitchens with maximum durability and performance with minimum maintenance. Cook a wide variety of food product in a small footprint. It is easy to use, thanks to its adjustable thermostat and battery powered electronic ignition button. This griddle is perfect for narrow kitchens, confined spaces and outdoor use.

Standard features

- The Gas Griddle features a natural gas hook-up with 3/8 NPT. Also includes orifices for propane conversion.
- Two cooking zones with individual adjustable Temperature Control enables operators to cook food product with different temperature requirements on the same griddle surface
- Two U-shaped burners provide exceptional heat distribution, for even and fast cooking
- Two thermostats with a temperature range up to 572°F (300°C)
- The gas griddle is equipped with a heat-activated safety thermocouple that will cut off gas supply to the unit if the burner flame goes out accidentally
- The cooking surface is 25.43"W x 13.94"D (646 x 354 mm)
- The Gas Griddle consists of an easy-to-clean, stainless steel frame and a rectangular, stainless steel griddle
- Three anti-spill edges and an integrated and removable drip tray on the front for easy cleaning
- Ships with: legs (back legs are adjustable for leveling the unit), drip tray, propane conversion components, pressure regulator and gas shut-off valve



For operation, location and safety information, please refer to the Installation and Operating Manual.



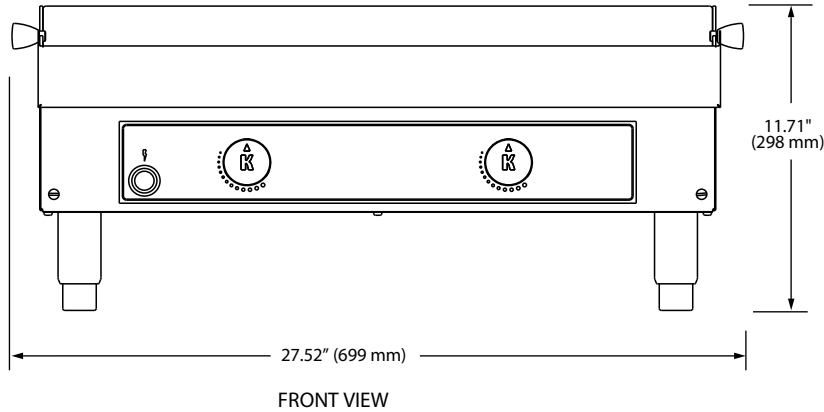
www.hatcocorp.com | support@hatcocorp.com | [Find a Hatco Rep](#) | [Image Library](#) | [Document Library](#) | [Patents](#) | [Chat](#)



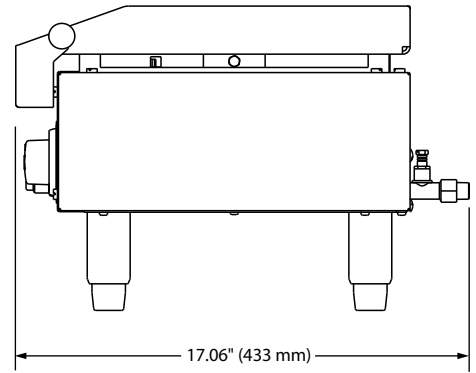
Gas Griddle

Model: KGRDG-2513

KGRDG-2513



FRONT VIEW



SIDE VIEW

SPECIFICATIONS Gas Griddle - Natural Gas

Model*	Item No.	Dimensions (W x D x H)	Burner Power (BTU/HR)	Burner Power (kW)	Manifold Pressure [⊚]	Pressure Regulator Factory Setpoint [⊚]	Burner Orifice Size [⊚]	Approx. Ship Weight
KGRDG-2513	KGRDG.251314	27.52" x 17.06" x 11.71" (699 x 433 x 298 mm)	13648	4	7 in WC	7 in WC	120 μm	49 lbs. (22 kg)

*Units come set for natural gas hook-up, and includes adapter for propane.

⊚ When converted to propane, Manifold Pressure and Burner Orifice Sizes change to: 10.9 in WC, 85 μm.

GAS HOOK-UP LOCATION

Back of unit, lower left corner.

PRODUCT SPECS Gas Griddle

The Gas Griddle shall be Model ... as distributed by the Hatco Corporation, Milwaukee, WI 53234 U.S.A.

The Gas Griddle shall be rated at ... btu ... power type, and be ... inches (millimeters) in overall width.

It shall consist of a stainless steel frame and a rectangular stainless steel griddle. The

Gas Griddle features two thermostatic controls from 120° - 570°F (50° - 300°C), On/Off switch and a drip tray.

Warranty consists of 24/7 parts and service assistance (US and Canada only).

HATCO CORPORATION | P.O. Box 340500 Milwaukee, WI 53234-0500 U.S.A. | (414) 671-6350



www.hatcocorp.com | support@hatcocorp.com | [Find a Hatco Rep](#) | [Image Library](#) | [Document Library](#) | [Patents](#) | [Chat](#)