



Project _____

Item # _____

Quantity _____

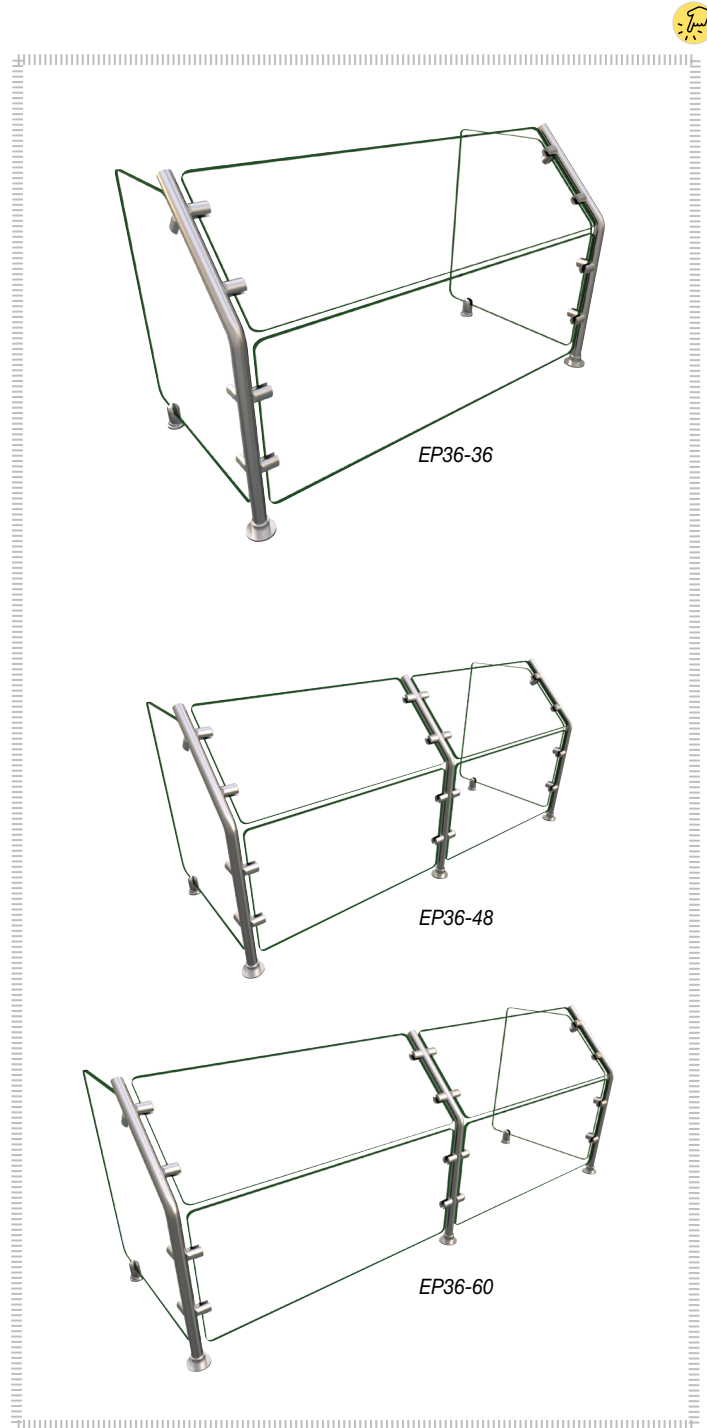
Flav-R-Shield™ Full-Service Pass-over Sneeze Guard – Model EP36

Item Numbers: EP36-36, EP36-48, EP36-60

Enhance and protect food products simultaneously with Hatco's Flav-R-Shield™ Sneeze Guards – EP36 for stationary full-service applications. These stylish yet functional Sneeze Guards, with several patented features, are ideal for buffet lines and serving stations. They provide all the requirements to safeguard your foods.

Standard features

- Stylish 1" (25 mm) Diameter SAE 304 brushed stainless steel Posts
- 2" (50 mm) Diameter stainless steel finish Flanges with unique tight-fitting Flange Covers that hide mounting screws and maximize cleanability
- Durable 0.25" (6 mm) Thick tempered glass construction with 0.75" (19 mm) radius corners and flat polished edges for a clean look throughout
- Glass Face Panel and two 18" (457 mm) Deep glass End Panels
- Mounts to stainless steel, natural and engineered solid stone surfaces and laminate countertops



Customize now!

Custom configurations available:
Hardware, glass, lighting and more!
Scan or click the QR code to the left.
www.hatcosneezeguards.com



HATCO CORPORATION | P.O. Box 340500 Milwaukee, WI 53234-0500 U.S.A. | (414) 671-6350

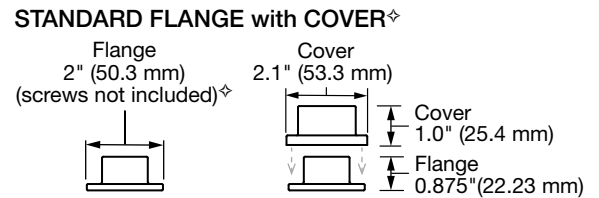
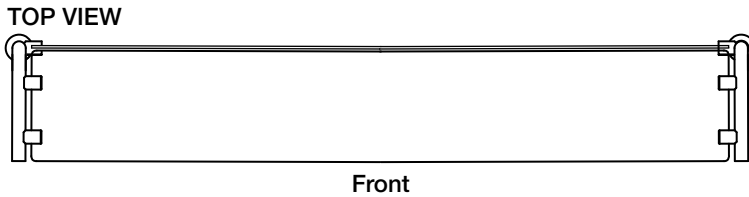
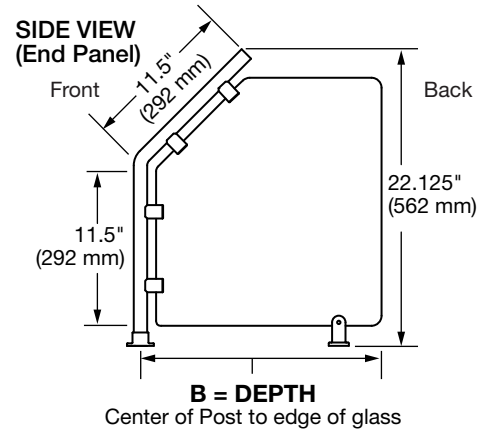
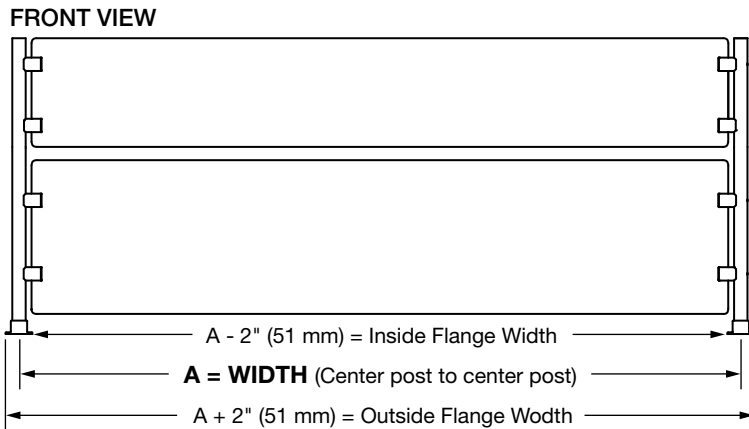


www.hatcocorp.com | support@hatcocorp.com | [Find a Hatco Rep](#) | [Image Library](#) | [Document Library](#) | [Patents](#) | [Chat](#)



Flav-R-Shield™ Full-Service Pass-Over Sneeze Guards - Model EP36
 Item Numbers: EP36-36, EP36-48, EP36-60

Model EP36 Standard offerings (one bay shown)



SPECIFICATIONS
Flav-R-Shield™ Full-Service Pass-Over Sneeze Guards - Model EP36

All Sneeze Guards are 22.125" (562 mm) High

Number of Bays	Item Number	A Width Center of post to center of post	B Depth Center of post to end of glass ‡	Approx. Ship Weight*
1	EP36-36	36" (914 mm)	18" (457 mm)	32 lbs (15 kg)
2	EP36-48	48" (1219 mm)	18" (457 mm)	41 lbs (19 kg)
2	EP36-60	60" (1524 mm)	18" (457 mm)	48 lbs (22 kg)

◇ 2" (50 mm) long #8 counter sink screws are recommended for installations on most surfaces. Requirements will vary based on surface material and thickness. Fasteners not included.

‡ Side Panels include back support legs.

■ Items may be shipped in multiple boxes.

PRODUCT SPECS
Flav-R-Shield Full-Service Pass-Over Sneeze Guard - Model EP36

Flav-R-Shield Full-Service Pass-Over Sneeze Guard – Model EP36 shall be manufactured by the Hatco Corporation, Milwaukee, WI 53234 U.S.A.

The unit shall be ... inches (millimeters) in overall width, ... inches (millimeters) in overall depth and ... inches (millimeters) in overall height.

The Sneeze Guard shall have 1" (25 mm) Diameter SAE 304 brushed stainless

steel Posts, 2" (50 mm) Diameter stainless steel finish Flanges with Flange Cover, 0.25" (6 mm) Thick tempered glass construction with 0.75" (19 mm) radius corners and flat polished edges, glass Face Panel, two 18" (457 mm) Deep glass End Panels.

Warranty consists of one (1) year parts only.

