



Project _____

Item # _____

Quantity _____

Flav-R-Shield™ Self-Service Sneeze Guard – Model ES67

Item Numbers: ES67-48, -60, -72, -84

Enhance and protect food products simultaneously with Hatco's Flav-R-Shield™ Sneeze Guards – ES67 for stationary self-service applications. These stylish yet functional Sneeze Guards, with several patented features, are ideal for buffet lines and serving stations and perfect for countertops with tray slides. They provide all the requirements to safeguard your foods.

Standard features

- Stylish 1" (25 mm) Diameter SAE 304 brushed stainless steel Posts
- 2" (50 mm) Diameter stainless steel finish Flanges with unique tight-fitting Flange Covers that hide mounting screws and maximize cleanability
- Durable 0.25" (6 mm) thick tempered glass construction with 0.75" (19 mm) radius corners and flat polished edges for a clean look throughout
- Glass Face Panels and two 18" (458 mm) Deep glass End Panels
- Mounts to stainless steel, natural and engineered solid stone surfaces and laminate countertops



Customize now!

Custom configurations available:
Hardware, glass, lighting and more!
Scan or click the QR code to the left.
www.hatcosneezeguards.com



HATCO CORPORATION | P.O. Box 340500 Milwaukee, WI 53234-0500 U.S.A. | (414) 671-6350



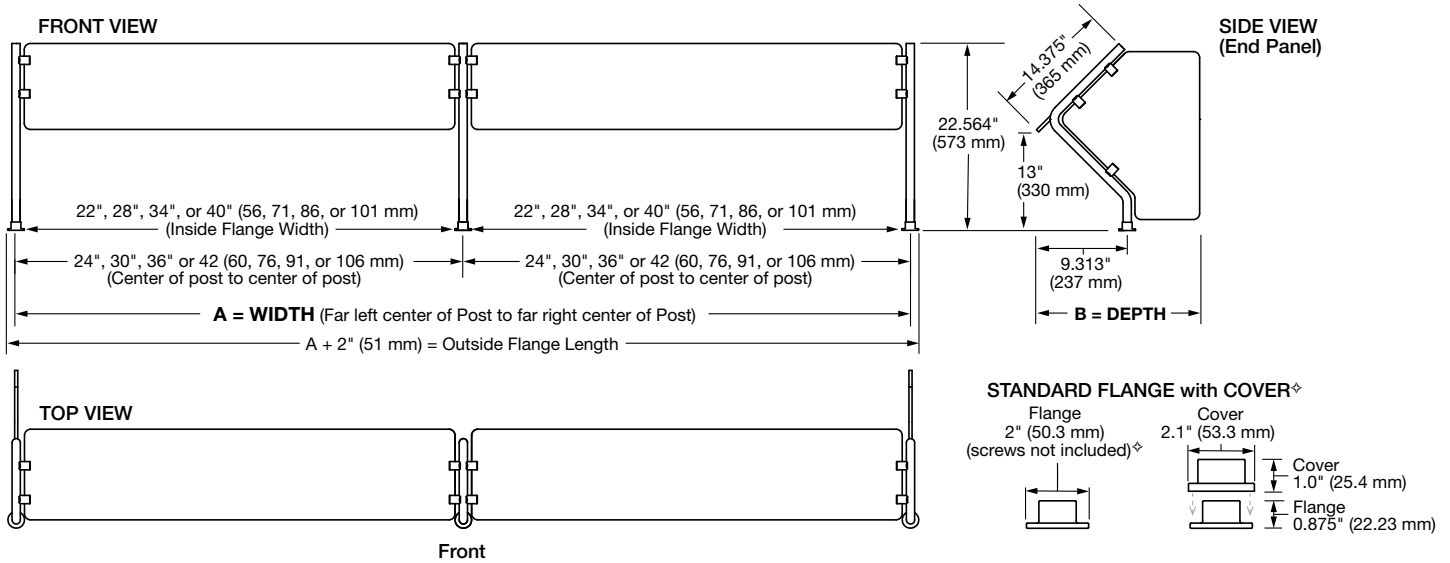
www.hatcocorp.com | support@hatcocorp.com | [Find a Hatco Rep](#) | [Image Library](#) | [Document Library](#) | [Patents](#) | [Chat](#)



Flav-R-Shield™ Self-Service Sneeze Guards – Model ES67

Item Numbers: ES67-48, -60, -72, -84

Model ES67 Standard offering of 2 Bays



SPECIFICATIONS

Flav-R-Shield™ Self-Service Sneeze Guards – Model ES67

All Sneeze Guards are 22.125" (562 mm) High

Number of Bays	Item Number	A Width Far left center of Post on Bay 1 to far right center of Post on Bay 2	B Depth Front of Face Panel to back of End Panel	Approx. Ship Weight [■]
2	ES67-48	48" (1219 mm)	19.8125" (504 mm)	41 lbs (19 kg)
2	ES67-60	60" (1524 mm)	19.8125" (504 mm)	50 lbs (23 kg)
2	ES67-72	72" (1829 mm)	19.8125" (504 mm)	57 lbs (26 kg)
2	ES67-84	84" (2134 mm)	19.8125" (504 mm)	63 lbs (29 kg)

⚡ 2" (50 mm) long #8 counter sink screws are recommended for installations on most surfaces. Requirements will vary based on surface material and thickness. Fasteners not included.

■ Items may be shipped in multiple boxes.

PRODUCT SPECS

Flav-R-Shield™ Self-Service Sneeze Guards – Model ES67

Flav-R-Shield Self-Service Sneeze Guard – Model ES67 shall be manufactured by the Hatco Corporation, Milwaukee, WI 53234 U.S.A.

The unit shall be ... inches (millimeters) in overall width, ... inches (millimeters) in overall depth and ... inches (millimeters) in overall height.

The Sneeze Guard shall have 1" (25 mm) Diameter SAE 304 brushed stainless

steel Posts, 2" (50 mm) Diameter stainless steel finish Flange with unique tight-fitting Flange Covers, durable 0.25" (6 mm) Thick tempered glass construction with 0.75" (19 mm) radius corners and flat polished edges, glass Face Panel and two 18" (458 mm) Deep glass End Panels.

Warranty consists of one (1) year parts only.

HATCO CORPORATION | P.O. Box 340500 Milwaukee, WI 53234-0500 U.S.A. | (414) 671-6350



www.hatcocorp.com | support@hatcocorp.com | [Find a Hatco Rep](#) | [Image Library](#) | [Document Library](#) | [Patents](#) | [Chat](#)