



Project _____

Item # _____

Quantity _____

Flav-R-Shield™ Full-Service Pass-Over Sneeze Guards – Model EP5-RING

Item Numbers:

EP5-RING-36, -48, -60, -72, -84, -96, -108, -120, -132, -144

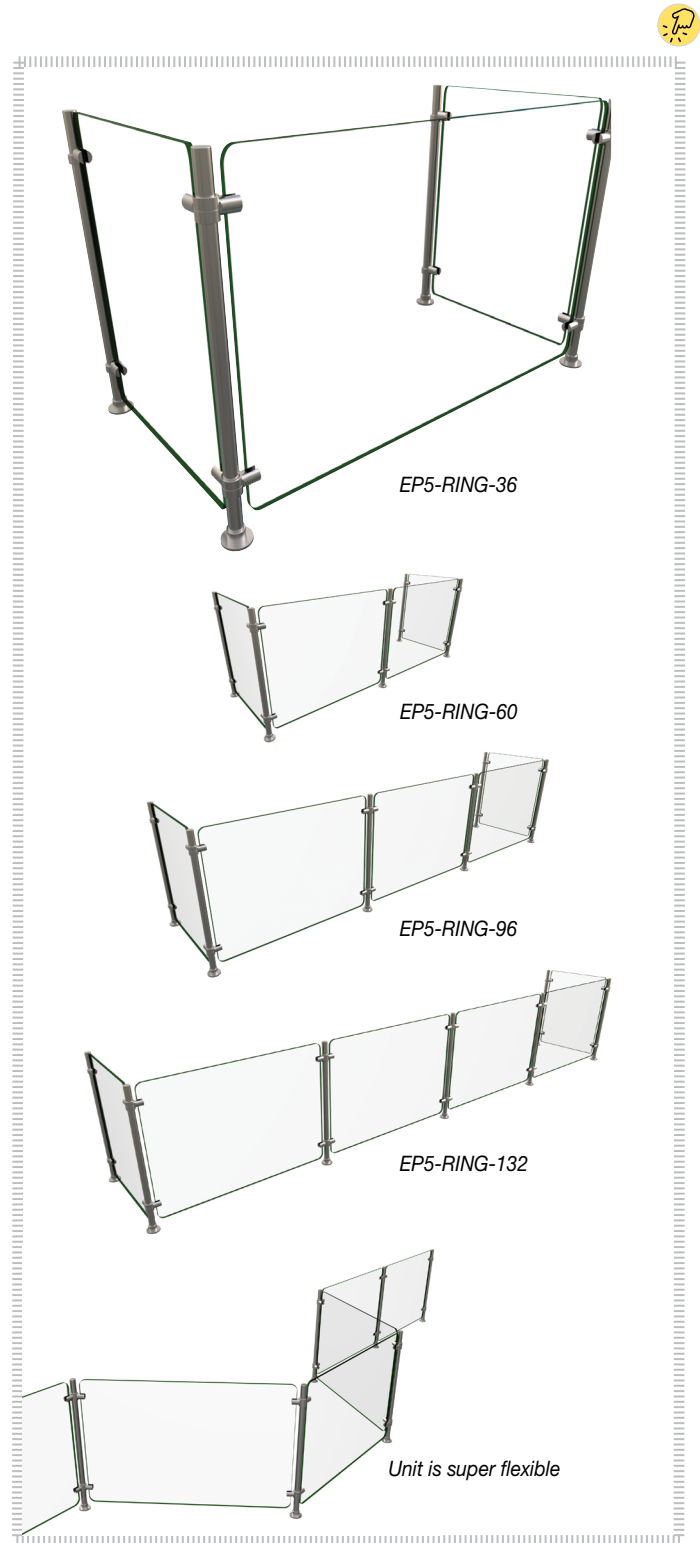
Enhance and protect food products simultaneously with Hatco's Flav-R-Shield™ Sneeze Guards – EP5-RING for stationary full-service applications. These stylish yet functional Sneeze Guards, with several patented features, are ideal for buffet lines and serving stations. They provide all the requirements to safeguard your foods.

Standard features

- Patented Ring Adjustable Brackets have locking points every 15°
- Stylish 1" (25 mm) Diameter SAE 304 brushed stainless steel Posts
- 2" (50 mm) Diameter stainless steel finish Flanges with unique tight-fitting Flange Covers that hide mounting screws and maximize cleanability
- Durable 0.25" (6 mm) Thick tempered glass construction with 0.75" (19 mm) radius corners and flat polished edges for a clean look
- Glass Face Panel and two 18" (457 mm) Deep glass End Panels
- Mounts to stainless steel, natural and engineered solid stone surfaces and laminate countertops

Customizable features

- Post Height: 8" to 42" (203 to 1067 mm) in 0.25" (6 mm) increments
- Face Panel Width: 8" to 54" (203 to 1372 mm) per Bay in 0.25" (6 mm) increments
- End Panel: Available in Depths of 8" to 54" (203 to 1372 mm) in 0.25" (6 mm) increments
- Flanges: Above or Below counter compression available
- Square cornered Panels
- Light Bar: Panel must be 18" (457 mm) Wide or Wider
- Post Finish: Powder coated black, brushed aluminum
- Adjustable Brackets (for radius corner glass only)
- Frosted Glass
- Arc Glass: Full, curved or random arc with 2", 4" or 6" (51, 102, 152 mm) arc radius
- Mailbox Cutout: In 0.25" (6 mm) increments, for Panel Widths greater than 22" (559 mm) only



Customize unit now!

Custom configurations available:
Hardware, glass, lighting and more!
Scan or click the QR code to the left.
www.hatcosneezeguards.com



HATCO CORPORATION | P.O. Box 340500 Milwaukee, WI 53234-0500 U.S.A. | (414) 671-6350



www.hatcocorp.com | support@hatcocorp.com | [Find a Hatco Rep](#) | [Image Library](#) | [Document Library](#) | [Patents](#) | [Chat](#)

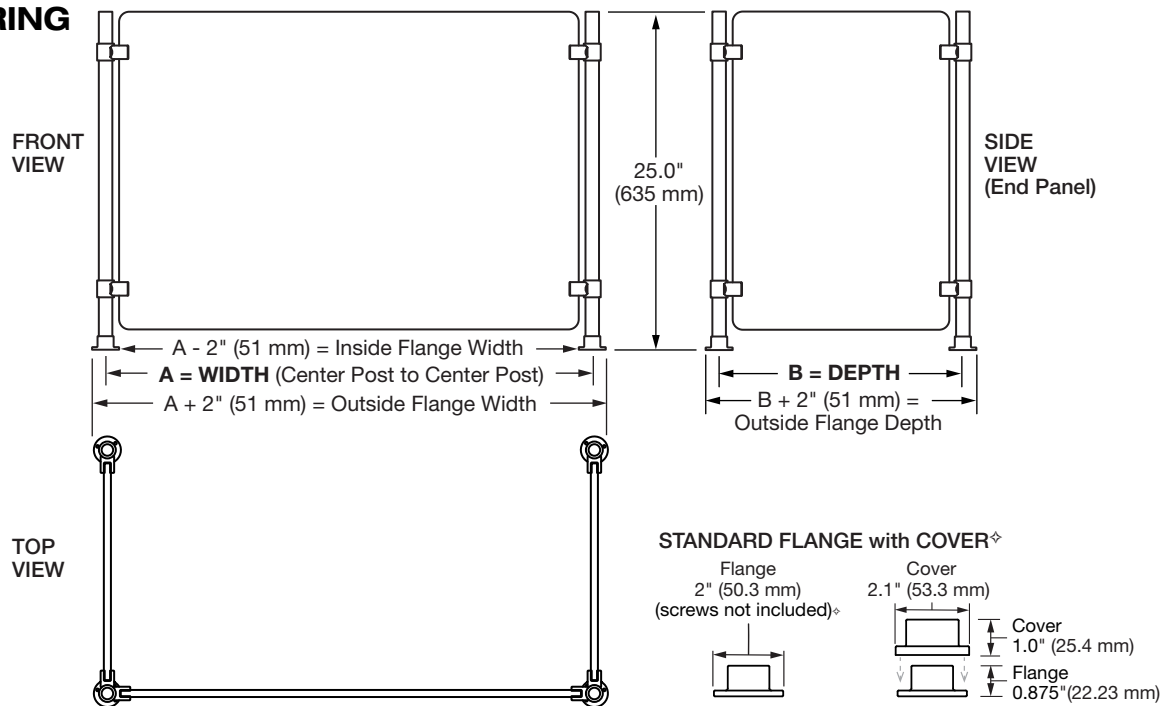


Flav-R-Shield™ Full-Service Pass-Over Sneeze Guards - Model EP5-RING

Item number: EP5-RING-36, -48, -60, -72, -84, -96, -108, -120, -132, -144

Model EP5-RING

Standard offerings
(one bay shown)



SPECIFICATIONS Flav-R-Shield™ Full-Service Pass-Over Sneeze Guards - Model EP5-RING

Number of Bays	Item Number	A Width Center of post to center of post	B Depth Center of post to center of post	Height	Approx. Ship Weight [■]
1	EP5-RING-36	36" (914 mm)	18" (457 mm)	25" (635 mm)	84 lbs. (38 kg)
2	EP5-RING-48	48" (1219 mm)			91 lbs. (41 kg)
2	EP5-RING-60	60" (1524 mm)			97 lbs. (44 kg)
2	EP5-RING-72	72" (1829 mm)			101 lbs. (46 kg)
2	EP5-RING-84	84" (2134 mm)			125 lbs. (57 kg)
3	EP5-RING-96	96" (2438 mm)			125 lbs. (57 kg)
3	EP5-RING-108	108" (2743 mm)			132 lbs. (60 kg)
3	EP5-RING-120	120" (3048 mm)			156 lbs. (71 kg)
4	EP5-RING-132	132" (3353 mm)			154 lbs. (70 kg)
4	EP5-RING-144	144" (3658 mm)			154 lbs. (70 kg)

◇ 2" (50 mm) long #8 counter sink screws are recommended for installations on most surfaces. Requirements will vary based on surface material and thickness. Fasteners not included.

■ Items may be shipped in multiple boxes.

PRODUCT SPECS

Flav-R-Shield™ Full-Service Pass-Over Sneeze Guards - Model EP5-RING

Flav-R-Shield Full-Service Pass-over Sneeze Guard – Model EP5-RING shall be manufactured by the Hatco Corporation, Milwaukee, WI 53234 U.S.A.

The unit shall be ... inches (millimeters) in overall width, ... inches (millimeters) in overall depth and ... inches (millimeters) in overall height.

The Sneeze Guard shall have patented Ring Adjustable Brackets with locking points

every 15", 1" (25 mm) Diameter SAE 304 brushed stainless steel Posts, 2" (50 mm) Diameter stainless steel finish Flanges with Flange Cover, 0.25" (6 mm) Thick tempered glass construction with 0.75" (19 mm) radius corners and flat polished edges, glass Face Panel(s) and two 18" (457 mm) Deep glass End Panels. Unit shall mount to stainless steel, natural and engineered solid stone surfaces and laminate countertops.

Warranty consists of one (1) year parts only.

HATCO CORPORATION | P.O. Box 340500 Milwaukee, WI 53234-0500 U.S.A. | (414) 671-6350



www.hatcocorp.com | support@hatcocorp.com | [Find a Hatco Rep](#) | [Image Library](#) | [Document Library](#) | [Patents](#) | [Chat](#)