



Project _____

Item # _____

Quantity _____

Flav-R-Shield™ Full-Service Pass-over Sneeze Guards – Model EP22

Item Numbers:

EP22-03612, -04812, -06012, -07212, -08412, -09612, -10812, -12012, -13212, -14412,

EP22-03615, -04815, -06015, -07215, -08415, -09615, -10815, -12015, -13215, -14415,

EP22-03618, -04818, -06018, -07218, -08418, -09618, -10818, -12018, -13218, -14418

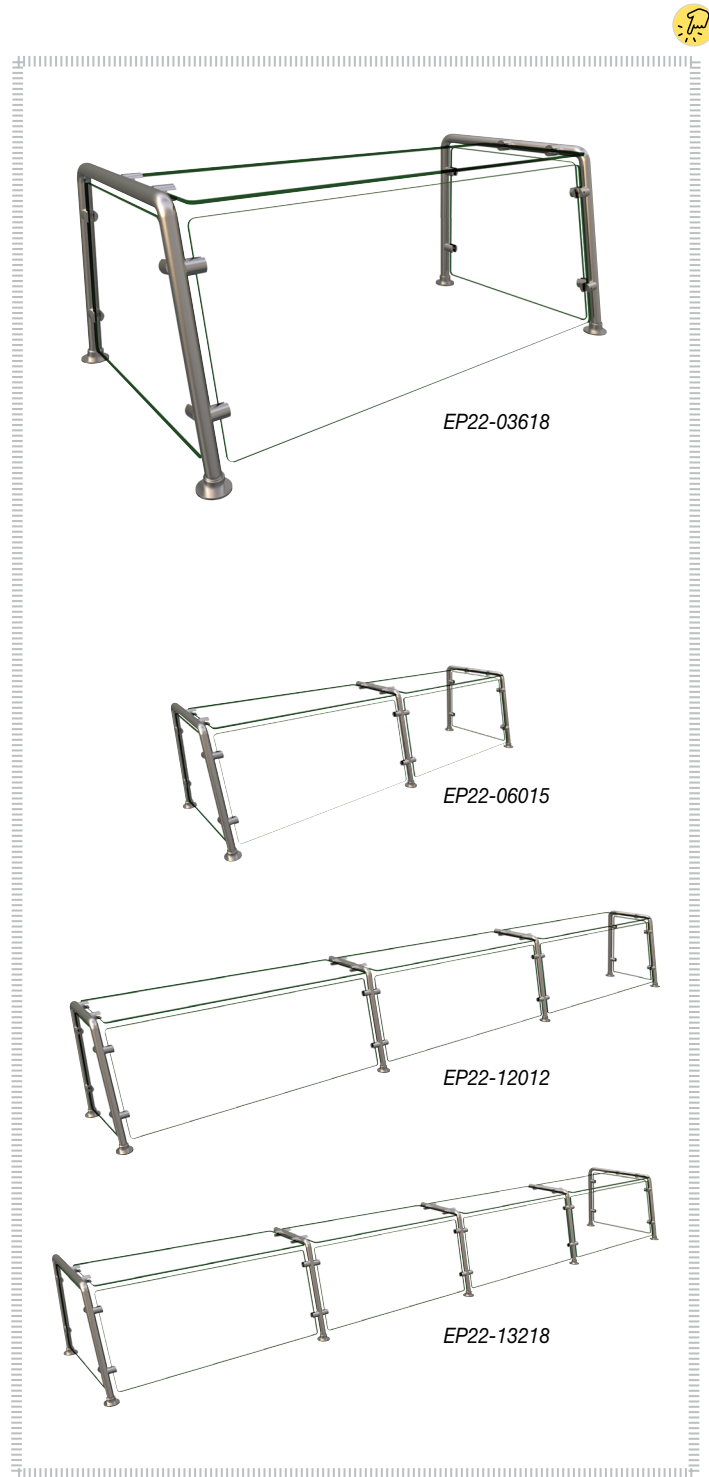
Enhance and protect food products simultaneously with Hatco's Flav-R-Shield™ Sneeze Guards – EP22 for stationary full-service applications. These stylish yet functional Sneeze Guards, with several patented features, are ideal for buffet lines and serving stations.

Standard features

- Stylish Posts are 1" (25 mm) Diameter SAE 304 brushed stainless steel - front Posts are tilted back to an 80° angle
- 2" (50 mm) Diameter stainless steel finish Flanges with unique tight-fitting Flange Covers that hide mounting screws and maximize cleanability
- Durable 0.25" (6 mm) Thick tempered glass construction with 0.75" (19 mm) radius corners and flat polished edges for a clean look
- Unit Height is 17.25" (438 mm)
- Glass Face Panels, 11.5" (292 mm) Top Shelf and two End Panels
- 18" (457 mm) Deep End Panels required to meet NSF standards
- End Panels Depths offered: 11.5", 15", 18" (292, 381, 457 mm)
- Unit mounts to stainless steel, natural and engineered solid stone surfaces and laminate countertops

Customizable features

- Face Panel: Available in 8" to 42" (203 to 1067 mm) per Bay in 0.25" (6 mm) increments
- End Panel: Right only, left only or none
- Flange: Above or Below counter compression available
- Glass Corners: Square (Radius standard)
- Light Bar: Panel must be 18" (457 mm) Wide or Wider
- Post Finish: Powder coated black color
- Adjustable Brackets (for radius corner glass only)



Customize unit now!

Custom configurations available:
Hardware, glass, lighting and more!
Scan or click the QR code to the left.
www.hatcosneezeeguards.com



HATCO CORPORATION | P.O. Box 340500 Milwaukee, WI 53234-0500 U.S.A. | (414) 671-6350

www.hatcocorp.com | support@hatcocorp.com | [Find a Hatco Rep](#) | [Image Library](#) | [Document Library](#) | [Patents](#) | [Chat](#)

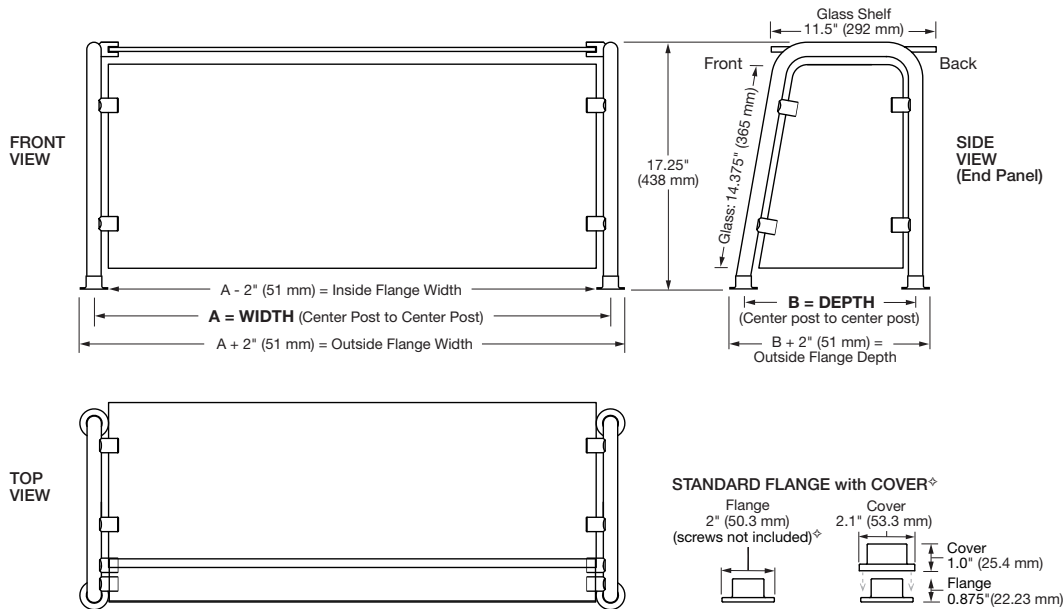


Flav-R-Shield™ Full-Service Pass-Over Sneeze Guard – Model EP22

Item number: EP22-03612, -04812, -06012, -07212, -08412, -09612, -10812, -12012, -13212, -14412, -03615, -04815, -06015, -07215, -08415, -09615, -10815, -12015, -13215, -14415, -03618, -04818, -06018, -07218, -08418, -09618, -10818, -12018, -13218, -14418

Model EP22

Standard offerings
(one bay shown)



SPECIFICATIONS

Flav-R-Shield™ Full-Service Pass-Over Sneeze Guards – Model EP22

All Sneeze Guards Post Height is 17.25" (438 mm)

Number of Bays (all models)	Item Number ◊	A Width Center of post to center of post	B Depth Center of post to center of post	Approx. Ship Weight ■	Item Number ◊	A Width Center of post to center of post	B Depth Center of post to center of post	Approx. Ship Weight ■	Item Number	A Width Center of post to center of post	B Depth Center of post to center of post	Approx. Ship Weight ■
1	EP22-03612	36" (914 mm)	11.5" (292 mm)	39 lbs. (18 kg)	EP22-03615	36" (914 mm)	15" (381 mm)	41 lbs. (19 kg)	EP22-03618	36" (914 mm)	18" (457 mm)	43 lbs. (20 kg)
2	EP22-04812	48" (1219 mm)		45 lbs. (21 kg)	EP22-04815	48" (1219 mm)		47 lbs. (22 kg)	EP22-04818	48" (1219 mm)		49 lbs. (23 kg)
2	EP22-06012	60" (1524 mm)		54 lbs. (25 kg)	EP22-06015	60" (1524 mm)		56 lbs. (26 kg)	EP22-06018	60" (1524 mm)		58 lbs. (27 kg)
2	EP22-07212	72" (1829 mm)		63 lbs. (29 kg)	EP22-07215	72" (1829 mm)		65 lbs. (30 kg)	EP22-07218	72" (1829 mm)		67 lbs. (31 kg)
2	EP22-08412	84" (2134 mm)		69 lbs. (32 kg)	EP22-08415	84" (2134 mm)		71 lbs. (33 kg)	EP22-08418	84" (2134 mm)		73 lbs. (34 kg)
3	EP22-09612	96" (2438 mm)		90 lbs. (41 kg)	EP22-09615	96" (2438 mm)		92 lbs. (42 kg)	EP22-09618	96" (2438 mm)		94 lbs. (43 kg)
3	EP22-10812	108" (2743 mm)		90 lbs. (41 kg)	EP22-10815	108" (2743 mm)		92 lbs. (133 kg)	EP22-10818	108" (2743 mm)		94 lbs. (43 kg)
3	EP22-12012	120" (3048 mm)		99 lbs. (45 kg)	EP22-12015	120" (3048 mm)		101 lbs. (46 kg)	EP22-12018	120" (3048 mm)		103 lbs. (47 kg)
4	EP22-13212	132" (3353 mm)		116 lbs. (53 kg)	EP22-13215	132" (3353 mm)		118 lbs. (54 kg)	EP22-13218	132" (3353 mm)		120 lbs. (55 kg)
4	EP22-14412	144" (3658 mm)		114 lbs. (52 kg)	EP22-14415	144" (3658 mm)		116 lbs. (53 kg)	EP22-14418	144" (3658 mm)		118 lbs. (54 kg)

◊ 2" (50 mm) long #8 counter sink screws recommended for installations on most surfaces. Requirements vary based on surface material and thickness. Fasteners not included.

◊ Side panels may not meet NSF standards, see NSF guidelines for clarification. ■ Items may be shipped in multiple boxes.

PRODUCT SPECS

Flav-R-Shield™ Full-Service Pass-Over Sneeze Guard – Model EP22

Flav-R-Shield Full-Service Pass-Over Sneeze Guard – Model EP22 shall be manufactured by the Hatco Corporation, Milwaukee, WI 53234 U.S.A.

The unit shall be ... inches (millimeters) in overall width, ... inches (millimeters) in overall depth and ... inches (millimeters) in overall height.

The Sneeze Guard shall have Posts that are 1" (25 mm) Diameter SAE 304 brushed stainless steel (front Posts are tilted back to an 80° angle), 2" (50 mm) Diameter

stainless steel finish Flanges with unique tight-fitting Flange Covers that hide mounting screws, durable 0.25" (6 mm) Thick tempered glass construction with 0.75" (19 mm) radius corners and flat polished edges, Height of 17.25" (438 mm), Glass Face Panels, Top Shelf and two End Panels with Depths offered: 11.5", 15", 18" (292, 381, 457 mm). Unit shall mount to stainless steel, natural and engineered solid stone surfaces and laminate countertops.

Warranty consists of one (1) year parts only.

HATCO CORPORATION

P.O. Box 340500 Milwaukee, WI 53234-0500 U.S.A. | (414) 671-6350



www.hatcocorp.com

support@hatcocorp.com

[Find a Hatco Rep](#)

[Image Library](#)

[Document Library](#)

[Patents](#)

[Chat](#)