



Project _____

Item # _____

Quantity _____



Flav-R-Shield® Self-Service Sneeze Guards - Model ORBIT360

Item Numbers: ORBIT360-24, -36, -48, -60

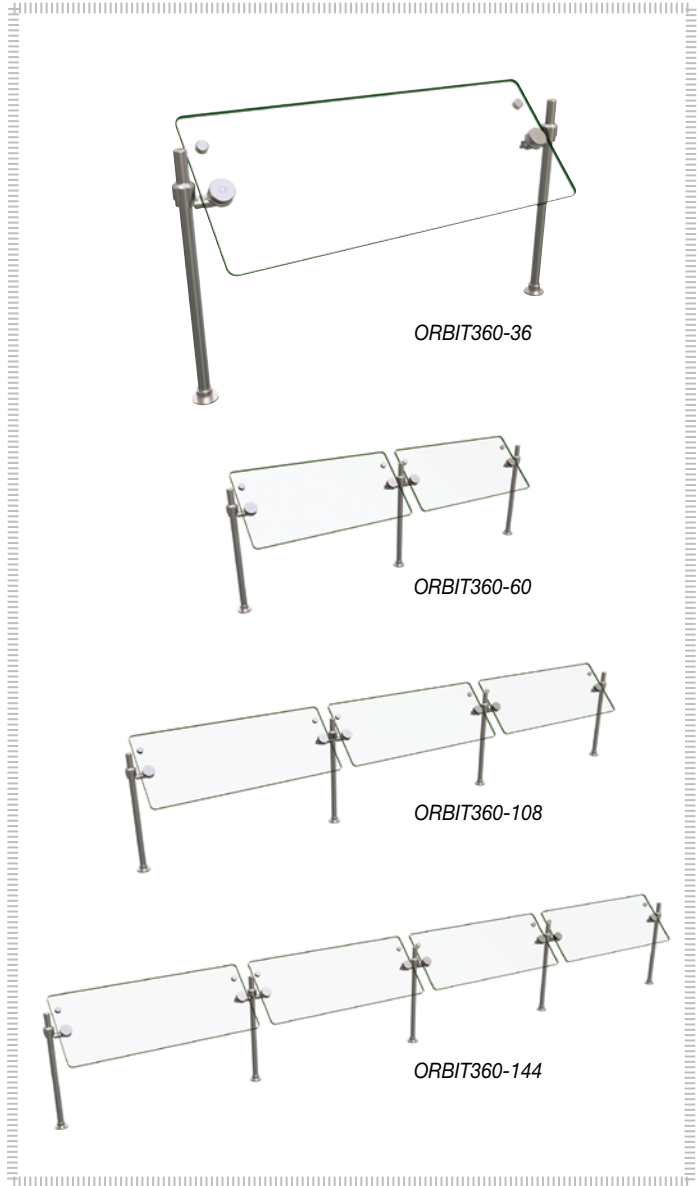
Enhance and protect food products simultaneously with Hatco's Flav-R-Shield® Sneeze Guards – ORBIT360 for self-service applications. These stylish yet functional Sneeze Guards, with several patented features, are ideal for buffet lines and serving stations to safeguard your food.

Standard features

- Patented 15° increment rotating Face Panel, perfect for radius counters
- Post Height is 23" (583 mm)
- Face panel has additional circular openings for optimum adjustment
- Stylish 1" (25 mm) Diameter SAE 304 brushed stainless steel Posts
- Durable 0.375" (10 mm) thick tempered glass construction with 0.75" (19 mm) radius corners and flat polished edges for a clean look throughout
- Mounts to stainless steel, natural and engineered solid stone surfaces and laminate countertops

Customizable features

- Face Panel: Widths 24" to 65.75" (610 to 1670 mm) per Bay in 0.25" (6 mm) increments
- End Panel: Right only, left only or none, 18" - 65.75" (457-1670 mm) Depths in 0.25" (6 mm) increments
- Depths in 0.25" (6 mm) increments
- Flange options: Above or below counter compression
- Light Bar: Panel must be 18" (457 mm) Wide or Wider



Accessories (available at any time)

18" (457 mm) Deep, 0.25" (6 mm) Thick tempered glass End Panels with hardware One Two



Customize unit now!

Custom configurations available:
Hardware, glass, lighting and more!
Scan or click the QR code to the left.
www.hatcosneezeguards.com



HATCO CORPORATION | P.O. Box 340500 Milwaukee, WI 53234-0500 U.S.A. | (414) 671-6350



www.hatcocorp.com | support@hatcocorp.com | [Find a Hatco Rep](#) | [Image Library](#) | [Document Library](#) | [Patents](#) | [Chat](#)

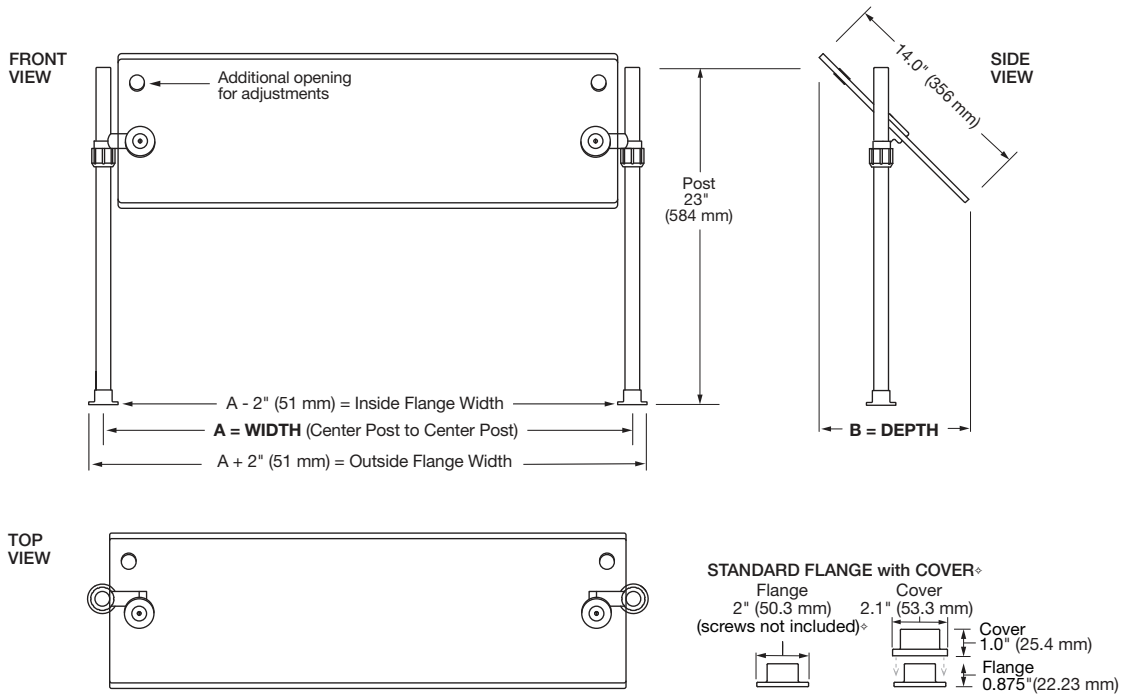


Flav-R-Shield® Self-Service Sneeze Guards - Model ORBIT360

Item Numbers: ORBIT360-24, -36, -48, -60

Model ORBIT360

Standard offerings
(one bay shown)



SPECIFICATIONS Flav-R-Shield® Self-Service Sneeze Guards - Model ORBIT360

Number of Bays	Item Number	A Width Center of Post to center of Post	B Depth	Height	Approx. Ship Weight ■
1	ORBIT360-36	36" (914 mm)	2" to 14" (51 to 356 mm)	23" (583 mm)	88 lbs. (40 kg)
2	ORBIT360-48	48" (1219 mm)			105 lbs. (48 kg)
2	ORBIT360-60	60" (1524 mm)			122 lbs. (56 kg)
2	ORBIT360-72	72" (1829 mm)			139 lbs. (64 kg)
2	ORBIT360-84	84" (2134 mm)			156 lbs. (71 kg)
3	ORBIT360-96	96" (2438 mm)			171 lbs. (76 kg)
3	ORBIT360-108	108" (2743 mm)			213 lbs. (97 kg)
3	ORBIT360-120	120" (3048 mm)			253 lbs. (115 kg)
4	ORBIT360-132	132" (3353 mm)			295 lbs. (134 kg)
4	ORBIT360-144	144" (3658 mm)			335 lbs. (152 kg)

◆ 2" (50 mm) long #8 counter sink screws are recommended for installations on most surfaces. Requirements will vary based on surface material and thickness. Fasteners not included.

■ Items may be shipped in multiple boxes.

PRODUCT SPECS Flav-R-Shield® Self-Service Sneeze Guard - Model ORBIT360

Flav-R-Shield® Self-Service Sneeze Guard - Model ORBIT360 shall be manufactured by the Hatco Corporation, Milwaukee, WI 53234 U.S.A.

The unit shall be ... inches (millimeters) in overall width, ... inches (millimeters) in overall depth and ... inches (millimeters) in overall height.

The Sneeze Guard shall have patented 15° increment rotating Face Panel, Post Height of 23" (583 mm), Face panel(s) with additional circular openings for optimum

adjustment, 1" (25 mm) Diameter SAE 304 brushed stainless steel Posts, 0.375" (10 mm) thick tempered glass construction with 0.75" (19 mm) radius corners and flat polished edges. Unit will mount to stainless steel, natural and engineered solid stone surfaces and laminate countertops.

Warranty consists of one (1) year parts only.

HATCO CORPORATION | P.O. Box 340500 Milwaukee, WI 53234-0500 U.S.A. | (414) 671-6350



www.hatcocorp.com | support@hatcocorp.com | [Find a Hatco Rep](#) | [Image Library](#) | [Document Library](#) | [Patents](#) | [Chat](#)