



Project \_\_\_\_\_

Item # \_\_\_\_\_

Quantity \_\_\_\_\_

# R-290 Refrigerated Slim Drop-In Wells

Models: CWBP-S1, -S2, -S3, -S4

Hatco's R-290 Refrigerated Slim Drop-In Well is a full-size unit that uses an environmentally friendly refrigerant to blanket your pre-chilled food product to retain optimum freshness and taste in one efficient and easy operation – but placed lengthwise. This provides customers with a complete cold well within easy reach, regardless of the sneeze guards.

## Standard features

- NSF 7 Component approved cold wall construction utilizes a refrigerant that keeps food product cold without drying it out



*The unique angled inside wall design provides easy access and clear views. The greater surface area of the angled wall and the placement of the coils allow cold air to more effectively blanket your food product.*

- Condenser utilizes environmentally friendly R-290 refrigerant
- Auto-defrost is activated through an advanced electronic controller programmed at customer location
- Optimal insulation on sides and bottom ensure better cold retention
- Environmentally friendly insulation used throughout
- 1" brass drain simplifies cleaning



Model CWBP-S4 with accessory (hotel) food pans additional support bars

## Options (available at time of purchase only)

- Additional Four-Year Parts Only Warranty on the Compressor at Time of Unit Purchase (Not available for export voltages)
- Slant Kit to give Cold Wells a 5° tilt
- Gasket (Factory installed and eliminates the need for silicone or other sealants)

## Accessories

### Pan Support Bars

- 12" (305 mm)

### Stainless Steel Food Pans:

- Third-Size (2.5" [64 mm] H)
- Full-Size (2.5" [64 mm] H)
- Full-Size (6" [152 mm] H)
- Half-Size (2.5" [64 mm] H)
- Full-Size (4" [102 mm] H)

- False Bottom (perforated false bottom)

### Wire Trivets Stainless:

- Half-Size (10.19" [259 mm] W x 7.625 [194 mm] D)
- Full-Size (10.125" [259 mm] W x 18" [457 mm] D)



For operation, location and safety information, please refer to the Installation and Operating Manual.



HATCO CORPORATION | P.O. Box 340500 Milwaukee, WI 53234-0500 U.S.A. | (414) 671-6350



[www.hatcocorp.com](http://www.hatcocorp.com) | [support@hatcocorp.com](mailto:support@hatcocorp.com) | [Find a Hatco Rep](#) | [Image Library](#) | [Document Library](#) | [Patents](#) | [Chat](#)



# R-290 Refrigerated Slim Drop-In Wells

Models: CWBP-S1, -S2, -S3, -S4

## Ordering Instructions:

Please specify the following with each order:

### 1. Desired Voltage and Hz:

120 (60 Hz),  
220, 230 or 240V (50 or 60 Hz)

### 2. Number of Drop-In Wells Required:

1-, 2-, 3- or 4-pan

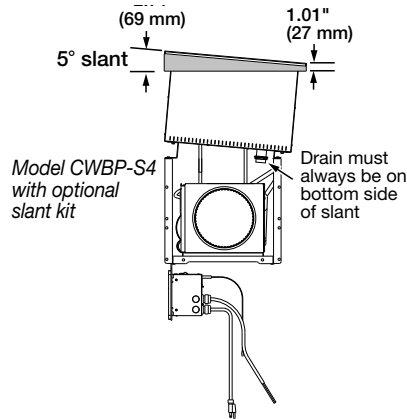
**NOTE:** only offered as rectangular, full-size (placed lengthwise)  
(12" W x 20" D [305 mm x 508 mm])

### 3. Electronic Control Assembly can be mounted on either side of the Condensing Unit or remotely mounted up to 4 feet (1219 mm) from the unit (cannot be mounted in front of the condensing coil)

### Option

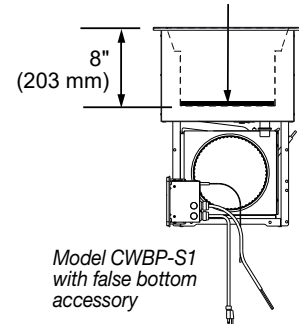
1. **Slant Option** for CWBPR or CWBPX-1, -2, -3, -4, -5 or -6
2. **Gasket** to eliminate need for silicone or other sealants

## ALL MODELS Slant Option (gray highlight)



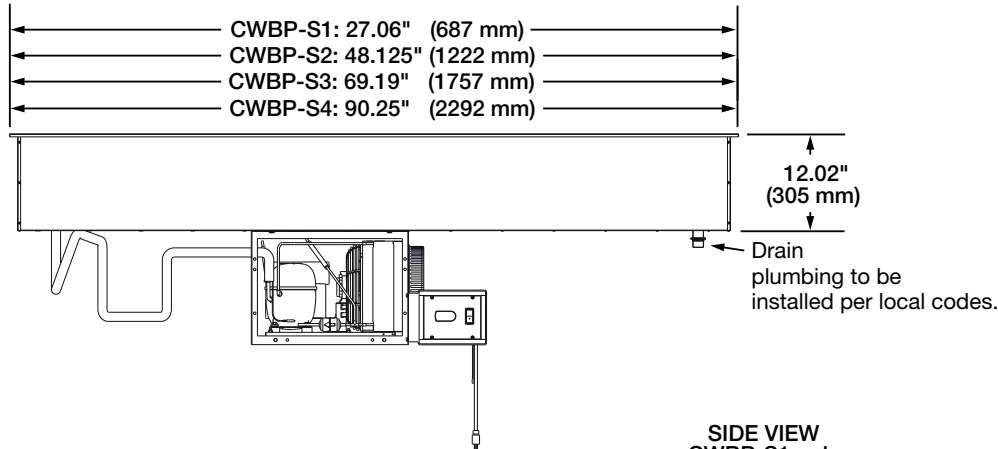
## ALL MODELS False Bottom Accessory 1-part or 2-part, depending on pan size

False Bottom placed on bottom of unit – allows for 8" (203 mm) of ice

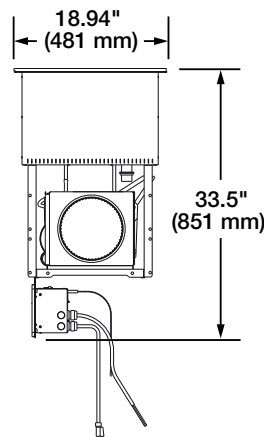


## Model CWBP-S1, -S2, -S3, -S4 Series

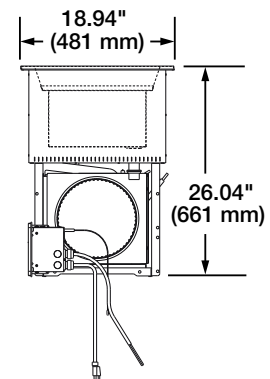
### FRONT VIEW



### SIDE VIEW CWBP-S1 only



### SIDE VIEW CWBP-S2, -S3, -S4



HATCO CORPORATION | P.O. Box 340500 Milwaukee, WI 53234-0500 U.S.A. | (414) 671-6350



[www.hatcocorp.com](http://www.hatcocorp.com)

[support@hatcocorp.com](mailto:support@hatcocorp.com)

[Find a Hatco Rep](#)

[Image Library](#)

[Document Library](#)

[Patents](#)

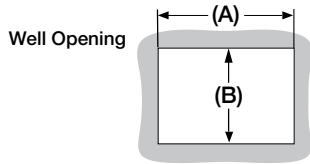
[Chat](#)



# Refrigerated Slim Drop-In Wells

Models: CWBP-S1, -S2, -S3, -S4

## Cutout Dimensions for R-290 Slim Refrigerated Drop-In Wells



Model	Minimum Width (A)	Maximum Width (A)	Minimum Depth (B)	Maximum Depth (B)
CWBP-S1	25.22" (641 mm)	26.06" (662 mm)	17.06" (433 mm)	17.94" (456 mm)
CWBP-S2	46.25" (1175 mm)	47.09" (1196 mm)		
CWBP-S3	67.31" (1710 mm)	68.16" (1731 mm)		
CWBP-S4	88.375" (2245 mm)	89.22" (2266 mm)		

## SPECIFICATIONS Refrigerated Slim Drop-In Wells

The shaded areas contain electrical information for international models

Model †	Dimensions (Width x Depth x Height) (12.02" [305 mm] Well Height)	Volts	HP Compressor Size	Hz	Watts	Amps	Phase	Plug	Total Heat of Rejection (BTU/Hr)	Approx. Ship Weight
CWBP-S1	27.06" x 18.99" x 26.04" (687 x 483 x 661 mm)	120	1/5	60	345	5.2	Single	NEMA 5-15P	1441	133 lbs. (60 kg)
		220/230/240	1/3	50	333/364/396	3.0/3.2/3.3		BS-1363, CEE 7/7 Schuko, AS 3112	1615	
				60	333/364/396	3.0/3.2/3.3		CEE 7/7 Schuko, BS-1363	1615	
CWBP-S2	48.125" x 18.99" x 26.04" (1222 x 483 x 661 mm)	120	1/5	60	345	5.2		NEMA 5-15P	1761	170 lbs. (77 kg)
		220/230/240	1/3	50	333/364/396	3.0/3.2/3.3		BS-1363, CEE 7/7 Schuko, AS 3112	1935	
				60	333/364/396	3.0/3.2/3.3		CEE 7/7 Schuko, BS-1363	1935	
CWBP-S3	69.19" x 18.99" x 26.04" (1757 x 483 x 661 mm)	120	1/3	60	440	6.5		NEMA 5-15P	2405	221 lbs. (100 kg)
		220/230/240	3/8	50	333/364/396	3.0/3.2/3.3		BS-1363, CEE 7/7 Schuko, AS 3112	2255	
				60	333/364/396	3.0/3.2/3.3		CEE 7/7 Schuko, BS-1363	2255	
CWBP-S4	90.25" x 18.99" x 26.04" (2292 x 483 x 661 mm)	120	1/2	60	560	9.3	NEMA 5-15P	3135	283 lbs. (128 kg)	
		220/230/240	1/2	50	454/496/540	4.1/4.3/4.5	BS-1363, CEE 7/7 Schuko, AS 3112	3067		
				60	484/529/576	4.4/4.6/4.8	CEE 7/7 Schuko, BS-1363	3189		

† Models shipped with electronic temperature control, pan support bars for full-size pans, condensing unit (can be rotated 180°), auto-defrost, sight glass, service valves and filter-drier.

## R-290 REFRIGERANT OPERATING SPECIFICATIONS IN 75°F (24°C) AMBIENT



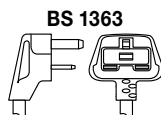
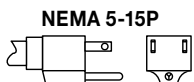
Refer to the Installation section in the Installation and Operating Manual on the Hatco website

- Suction Pressure: 13-23 PSIG (0.9-1.6 Bar)
- Discharge Pressure : 140-180 PSIG (9.7-12.4 Bar)
- Superheat: 4-10° F (2.2° to 5.6 °C)
- Subcooling: 5-10° F (2.8° to 5.6 °C)

## FACTORY FILL RATES for R-290 REFRIGERANT

Model	Fill Weight
CWBP-S1	4.2 oz. (119.068 g)
CWBP-S2	4.7 oz. (133.243 g)
CWBP-S3	4.8 oz. (136.078 g)
CWBP-S4	5.2 oz. (147.418 g)

## PLUG CONFIGURATIONS



## PRODUCT SPECS R-290 Refrigerated Slim Drop-In Wells

The NSF 7 approved R-290 Refrigerated Slim Drop-In Well shall be a Model ... as manufactured by the Hatco Corporation, Milwaukee, WI 53234 U.S.A.

The R-290 Refrigerated Slim Drop-In Well shall be rated at ... watts, ... volts, ... hp, and be .... inches (millimeters) in overall width and be ... inches (millimeters) in overall depth. It shall utilize R-290 refrigerant and consist of aluminized steel housing with a stainless bezel, and electronic temperature control, pan support bars for full-size

pans, condensing unit, compressor, refrigerant lines and filter-drier.

Accessories may include pan support bars, false bottom, trivets and stainless steel food pans.

Warranty consists of 24/7 parts and service assistance (U.S. and Canada only).

HATCO CORPORATION | P.O. Box 340500 Milwaukee, WI 53234-0500 U.S.A. | (414) 671-6350



[www.hatcocorp.com](http://www.hatcocorp.com) | [support@hatcocorp.com](mailto:support@hatcocorp.com) | [Find a Hatco Rep](#) | [Image Library](#) | [Document Library](#) | [Patents](#) | [Chat](#)