



Project _____

Item # _____

Quantity _____

R-290 Cold Simulated Stone[™] Shelves Built-In

Models: CSSBP-2418, -3018, -3618, -4818

Hatco's R-290 Cold Simulated Stone[™] Shelves Built-In are a must for buffet lines in cafeterias, restaurants and much more!

These sturdy, foodsafe shelves are available in three attractive Swanstone[®] colors.

Standard features

- CSSBP condenser utilizes environmentally friendly R-290 refrigerant
- Patented thermal break reduces condensation and temperature transfer on adjacent surfaces
- All units have an Electronic Temperature Control Box with a 4' (1219 mm) lead wire (Standard)
- All models are bottom mount units, flush to the countertop
- All models match the GRSSB Heated Simulated Stone[™] Shelves Built-In for a fully integrated look
- All models are not available with CE Mark

▼ Models with simulated stone are Swanstone[®].



CSSBP-4818
in optional
Gray Granite

Options (available at time of purchase only)

- Simulated stone[™] color – Night Sky Standard – Non-standard colors are non-returnable
- Gray Granite Bermuda Sand



For operation, location and safety information, please refer to the Installation and Operating Manual.



(For 120V only)

HATCO CORPORATION

P.O. Box 340500 Milwaukee, WI 53234-0500 U.S.A. | (414) 671-6350



www.hatcocorp.com

support@hatcocorp.com

[Find a Hatco Rep](#)

[Image Library](#)

[Document Library](#)

[Patents](#)

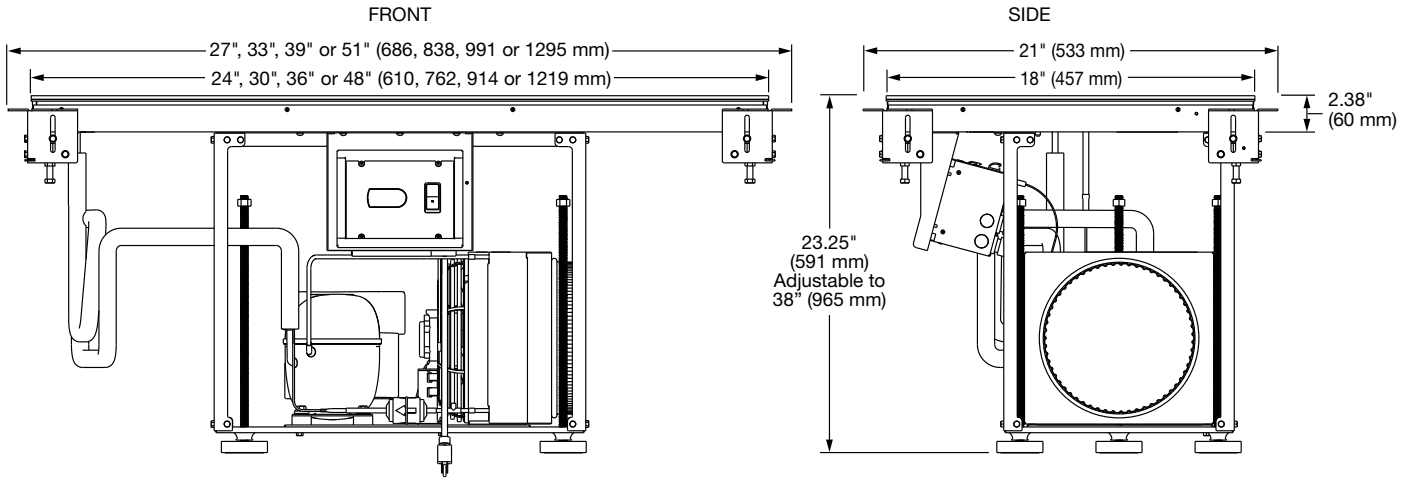
[Chat](#)



R-290 Cold Simulated Stone[™] Shelves Built-In

Models: CSSBP-2418, -3018, -3618, -4818

CSSBP



SPECIFICATIONS

R-290 Cold Simulated Stone[™] Shelves Built-In (flush to countertop) - All Single Phase

The shaded areas contain electrical information for International models

Model	Overall Dimension [‡] W x D x H	Usable Shelf Space W x D of cooled surface	Compressor Size (HP)	Voltage*	Watts	Amps	Hz	Plug	Total Heat of Rejection (BTU/Hr)	Approx. Ship Weight
CSSBP-2418	27" x 21" x 23.25" (686 x 533 x 591 mm)	24" x 18" (610 x 457 mm)	1/5	120	345	5.2	60	NEMA 5-15P	1940	120 lb. (54 kg)
				1/3	220	333	3.0	50	CEE 7-7 Schuko, BS-1363, AS3112	
			230		364	3.2				
			240		396	3.3				
			60		220	333	3.0	CEE 7-7 Schuko, BS-1363	2114	
				230	364	3.2				
CSSBP-3018	33" x 21" x 23.25" (838 x 533 x 591 mm)	30" x 18" (762 x 457 mm)	1/5	120	345	5.2	60	NEMA 5-15P	2097	132 lb. (60 kg)
				1/3	220	333	3.0	50	CEE 7-7 Schuko, BS-1363, AS3112	
			230		364	3.2				
			240		396	3.3				
			60		220	333	3.0	CEE 7-7 Schuko, BS-1363	2271	
				230	364	3.2				
CSSBP-3618	39" x 21" x 23.25" (991 x 533 x 591 mm)	36" x 18" (914 x 457 mm)	1/5	120	345	5.2	60	NEMA 5-15P	2255	149 lb. (68 kg)
				1/3	220	333	3.0	50	CEE 7-7 Schuko, BS-1363, AS3112	
			230		364	3.2				
			240		396	3.3				
			60		220	333	3.0	CEE 7-7 Schuko, BS-1363	2429	
				230	364	3.2				
CSSBP-4818	51" x 21" x 23.25" (1295 x 533 x 591 mm)	48" x 18" (1219 x 457 mm)	1/3	120	440	6.5	60	NEMA 5-15P	2821	145 lb. (66 kg)
				3/8	220	333	3.0	50	CEE 7-7 Schuko, BS-1363, AS3112	
			230		364	3.2				
			240		396	3.3				
			60		220	333	3.0	CEE 7-7 Schuko, BS-1363	2671	
				230	364	3.2				
				240	396	3.3				

‡ Models with simulated stone are Swanstone[®].

* All voltages are non-CE.

‡ Height is adjustable up to 38" (965 mm).





R-290 Cold Simulated Stone[™] Shelves Built-In

Models: CSSBP-2418, -3018, -3618, -4818

CUTOUT DIMENSIONS



(Refer to the Installation section in the Installation and Operating Manual on the Hatco website)

COUNTERTOP

Model	Width	Depth
	with .375" (10 mm) radii	with .375" (10 mm) radii
CSSBP-2418	24.375" (619 mm)	18.375" (467 mm)
CSSBP-3018	30.375" (772 mm)	18.375" (467 mm)
CSSBP-3618	36.375" (924 mm)	18.375" (467 mm)
CSSBP-4818	48.375" (1229 mm)	18.375" (467 mm)

FACTORY FILL RATES for R-290 REFRIGERANT

Model	Fill Weight
CSSBP-2418	3.6 oz. (0.102 kg)
CSSBP-3018	3.7 oz. (0.105 kg)
CSSBP-3618	3.8 oz. (0.108 kg)
CSSBP-4818	3.9 oz. (0.111 kg)

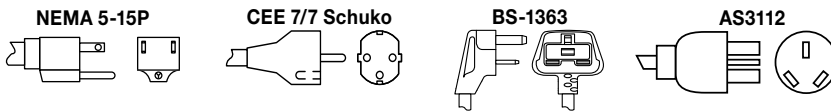
R-290 REFRIGERANT OPERATING SPECIFICATIONS IN 75°F (24°C) AMBIENT



(Refer to the Installation section in the Installation and Operating Manual on the Hatco website)

- Suction Pressure: 13-23 PSIG (0.9-1.6 Bar)
- Discharge Pressure : 140-180 PSIG (9.7-12.4 Bar)
- Superheat: 4-10° F (2.2 to 5.6°C)
- Subcooling: 5-10° F (2.8 to 5.6°C)

PLUG CONFIGURATION



PRODUCT SPECS

R-290 Cold Simulated Stone[™] Built-In Shelf

The patented R-290 Cold Simulated Stone Shelf Built-In shall be model ... as manufactured by the Hatco Corporation, Milwaukee, WI 53234 U.S.A.

The R-290 Cold Simulated Stone Shelf Built-In shall be rated at ... watts, ... volts, and ... inches (millimeters) in overall width.

™ Models with simulated stone are Swanstone®.

It shall utilize R-290 refrigerant and consist of foodsafe simulated stone material surface shelf assembly, a condenser attached to evaporator and adjustable bracket with attached cord & plug and attached Electronic Temperature Control Box.

Warranty consists of 24/7 parts and service assistance (U.S. and Canada only).

HATCO CORPORATION | P.O. Box 340500 Milwaukee, WI 53234-0500 U.S.A. | (414) 671-6350



www.hatcocorp.com | support@hatcocorp.com | [Find a Hatco Rep](#) | [Image Library](#) | [Document Library](#) | [Patents](#) | [Chat](#)