



Project _____

Item # _____

Quantity _____

Induction Rice Cooker

Model: IRC-4

Hatco's Induction Rice Cooker is built for high-volume foodservice operations, delivering consistent, high-quality results with flexibility for small or large batches. Powered by induction technology, it features four independent cooking zones that allow operators to prepare multiple rice varieties simultaneously with precise, even heat control. As a fully electric solution, it delivers energy-efficient performance without compromising cooking speed.

Standard features:

- Cook times are approximately 30 minutes long for efficient, high-throughput rice production for white rice
- Four individual cooking zones with separate controls for each
- Three programmable presets per cooking zone, each with a four-phase cooking cycle (Boil, High Simmer, Low Simmer, Rest) for consistent results
- Accommodates four (4) third-size 6" (152 mm) deep stainless steel pans* (not included)
- Includes four (4) perforated third-size pan false bottoms for improved water circulation when cooking
- Includes a full-unit removable pan locator with cutouts for each pan
- Designed to cook up to 8 cups of dry rice per pan, and up to 20 cups of cooked rice per pan
- Fully sealed construction simplifies cleaning and maintenance
- Improved rice consistency and quality compared to gas alternatives
- Does not require a vent hood in most cases (check local codes)
- Induction heats the pan without dangerously hot heating elements for safer operation, with no burning or food spills

*Pans must be 22-gauge thickness.



IRC-4 with standard removable pan locator and stainless steel pans (not included)



IRC-FB1 Stainless Steel False Bottom Accessory



Accessories

- 4" (102 mm) Plastic Legs
- Stainless Steel False Bottom for Third-Size Pan



For operation, location and safety information, please refer to the Installation and Operating Manual.



HATCO CORPORATION | P.O. Box 340500 Milwaukee, WI 53234-0500 U.S.A. | (414) 671-6350



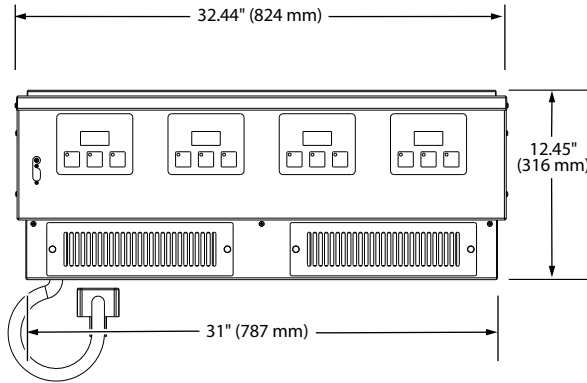
www.hatcocorp.com | support@hatcocorp.com | [Find a Hatco Rep](#) | [Image Library](#) | [Document Library](#) | [Patents](#) | [Chat](#)



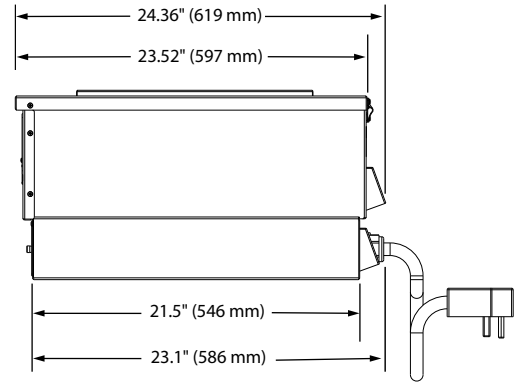
Induction Rice Cooker

Model: IRC-4

IRC-4 Model



FRONT VIEW



SIDE VIEW

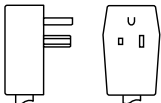
SPECIFICATIONS Induction Rice Cooker

The shaded areas contain electrical information for International models

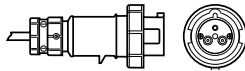
Model	Dimensions (Width x Depth x Height)	Volts	Phase	Watts	Hz	Amps	Plug	Cord Location	Approx. Ship Weight
IRC-4	32.44" x 24.36" x 12.45" (824 x 619 x 316 mm)	208	Single	7000	50/60	34.7	NEMA 6-50P	Back Right	135 lbs. (61.24 kg)
		240			50/60	30.1			
		220-230-240			50/60	32	IEC 60309 32 AMP, 2 P+E		
		220			60				

PLUG CONFIGURATIONS

NEMA 6-50P



IEC 60309



PRODUCT SPECS Induction Rice Cooker

The Induction Rice Cooker shall be manufactured by the Hatco Corporation, Milwaukee, WI 53234 U.S.A.
The Induction Rice Cooker shall be rated at ... watts, ... volts, single phase and be ... inches (millimeters) in overall width. The Induction Rice Cooker shall consist of

a stainless steel housing. It includes four individual cooking zones with separate controls, three programmable presets per control, four stainless steel false bottoms, a removable pan bezel, and a cord and plug.

Warranty consists of 24/7 parts and service assistance (US and Canada only).

HATCO CORPORATION | P.O. Box 340500 Milwaukee, WI 53234-0500 U.S.A. | (414) 671-6350



www.hatcocorp.com | support@hatcocorp.com | [Find a Hatco Rep](#) | [Image Library](#) | [Document Library](#) | [Patents](#) | [Chat](#)